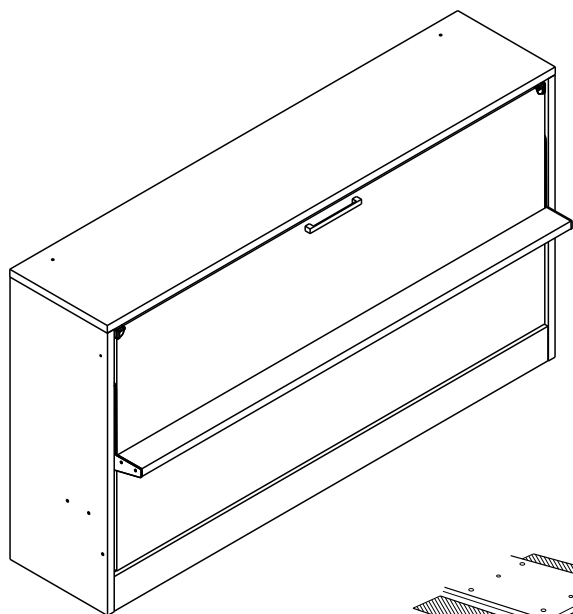




MULTIMO

1121-2 LIFE 200



50 min.



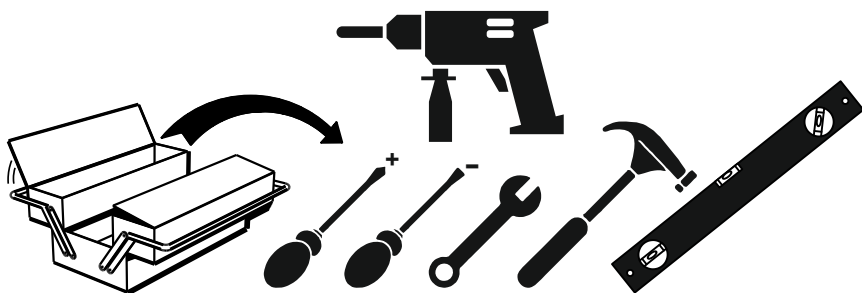
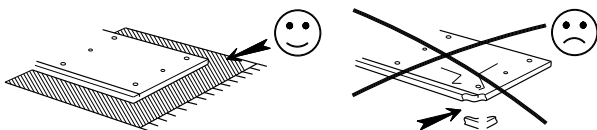
Technical Service



80 min.



End User

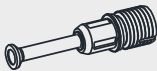




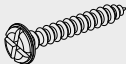

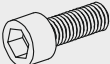
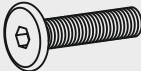


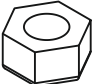




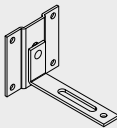

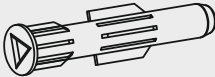
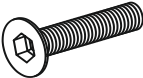


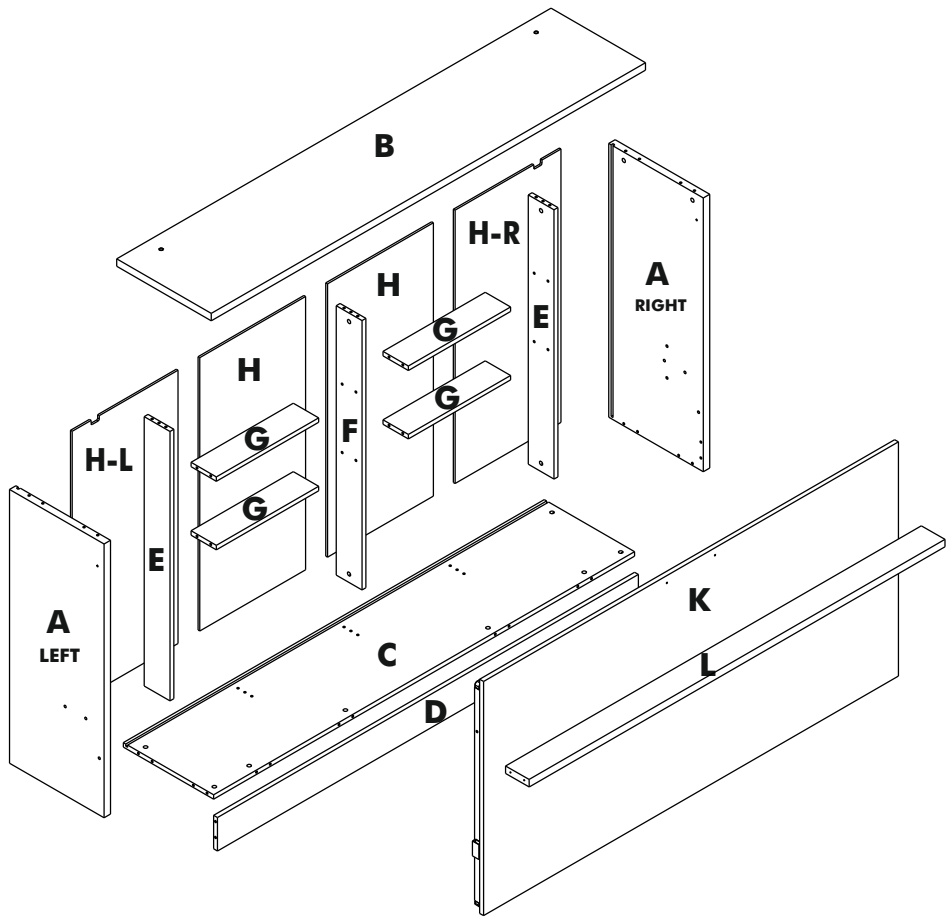
https://www.youtube.com/watch?v=Q10_7XjE_Nc

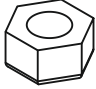

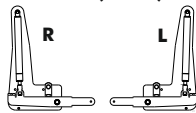

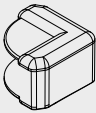
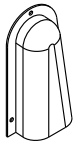
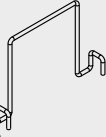
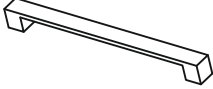
Assembly Instructions

Product Parts	Piece	(inch)			(mm)			
		Thickness	Length	Width	Piece	Thick	Height	Width
A-R / A-L	2	1,18	43,46	17,32	2	30	1104	440
B	1	1,18	83,54	17,36	1	30	2122	441
C	1	0,71	81,10	16,54	1	18	2060	420
D	1	0,71	81,10	5,31	1	18	2060	135
E-R / E-L	2	0,71	42,76	4,72	2	18	1086	120
F	1	0,71	42,76	4,72	1	18	1086	120
G	4	0,71	19,72	4,65	4	18	501	118
H / H-R / H-L	4	0,31	43,39	20,39	4	8	1102	518
K	1	0,71	80,00	37,17	1	18	2032	944
L	1	1,18	80,16	4,33	1	30	2036	110

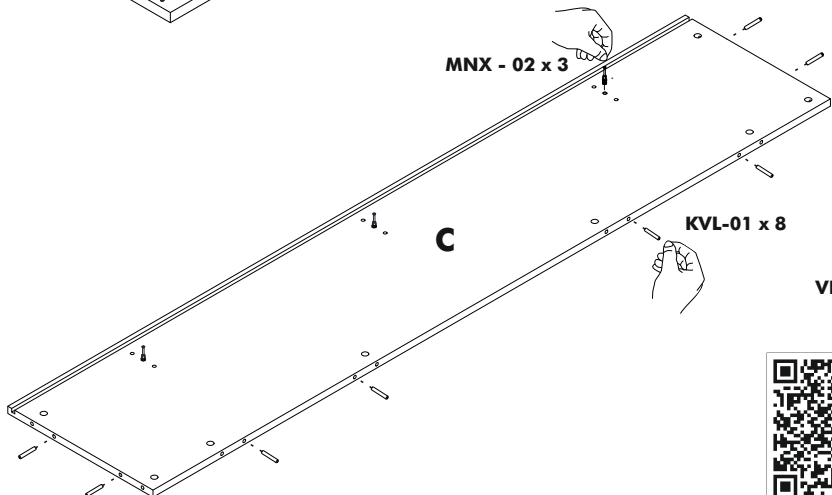
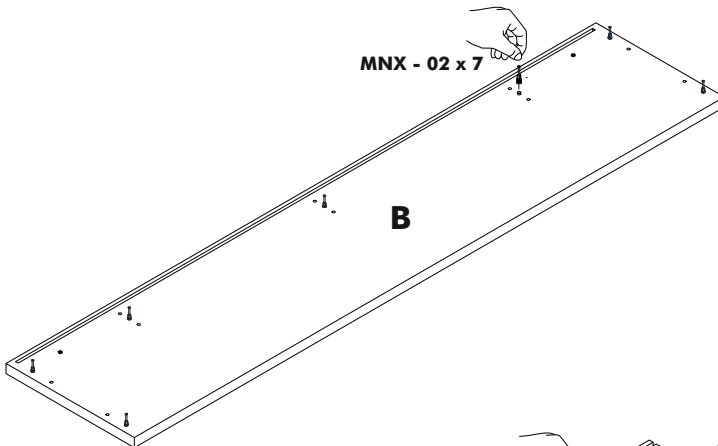
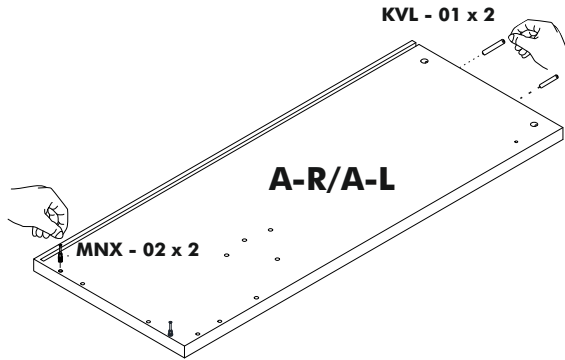
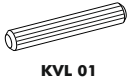
Accessories List

MXN 02  18 / piece	MNG - 01  18 / piece	KVL 01  44 / piece	TAP - 01  20 / piece
AVT - 01  10 / piece	VD - 02 (3,5x25) mm  19 / piece	VKP - 01 (22) mm  2 / piece	IM - 01 (6x30) mm  4 / piece
CT - 01 (6x40) mm  2 / piece	OT-054  2 / piece	PL - 05 (8x16x2) mm  2 / piece	SN - 02 (M8)  2 / piece
TAP - 02  4 / piece	OT 10  2 / piece	VTB - 02 (4,2x16) mm  8 / piece	VDA - 01 (6,5x50) mm  4 / piece
DSE - 03  2 / piece	VD - 01(6X70) mm  8 / piece	DD - 02 (R8)  8 / piece	HB - 04 (6x40) mm  2 / piece



<p>SNO - 02 (M6)</p>  <p>2 / piece</p>	<p>PL - 01 (6x19x1) mm</p>  <p>2 / piece</p>	<p>MKZ-10-60 M (350 N)</p>  <p>1 / piece</p>	<p>SC - 143</p>  <p>2 / piece</p>
<p>KKS - 01</p>  <p>2 / piece</p>	<p>KMT - 02</p>  <p>2 / piece</p>	<p>TTC 02</p>  <p>4 / piece</p>	<p>KP - 01 (224) mm</p>  <p>1 / piece</p>

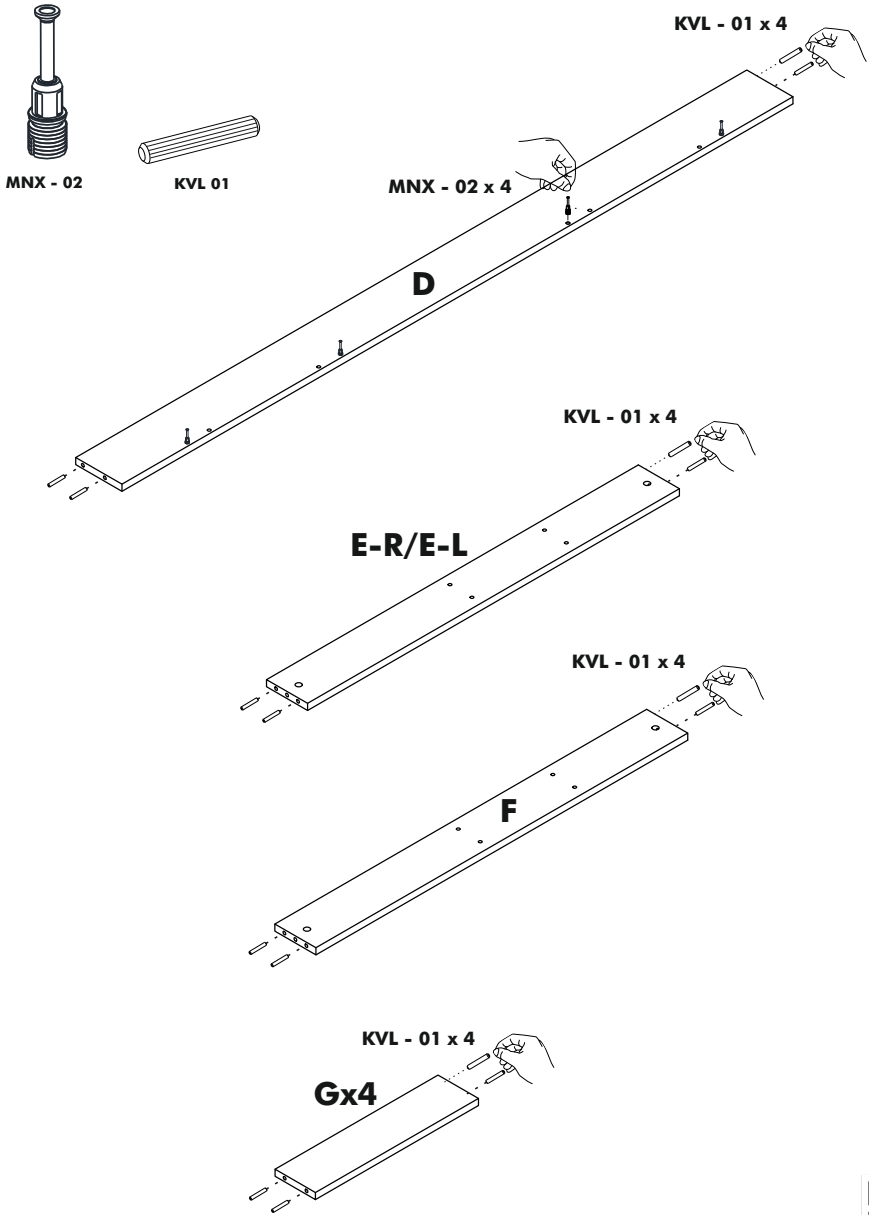
STEP 1



VIDEO



STEP 2



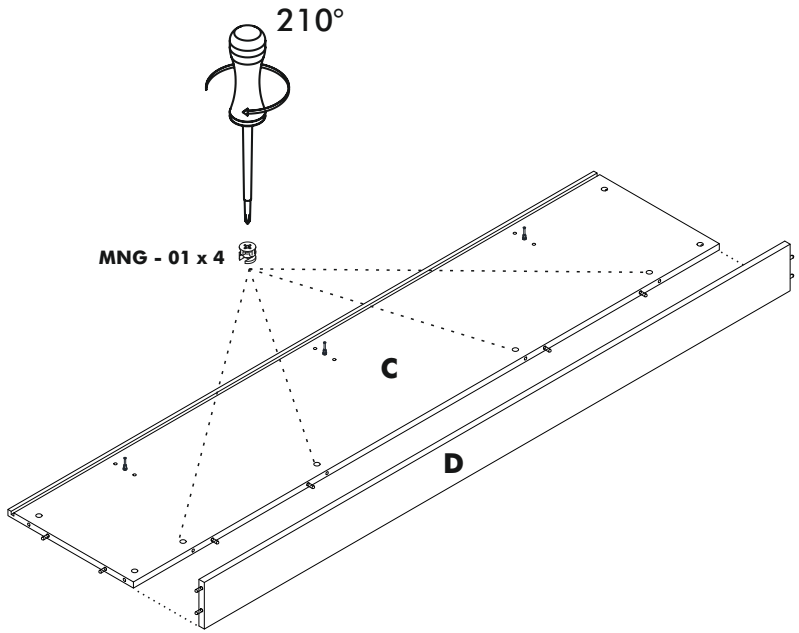
VIDEO



STEP 3



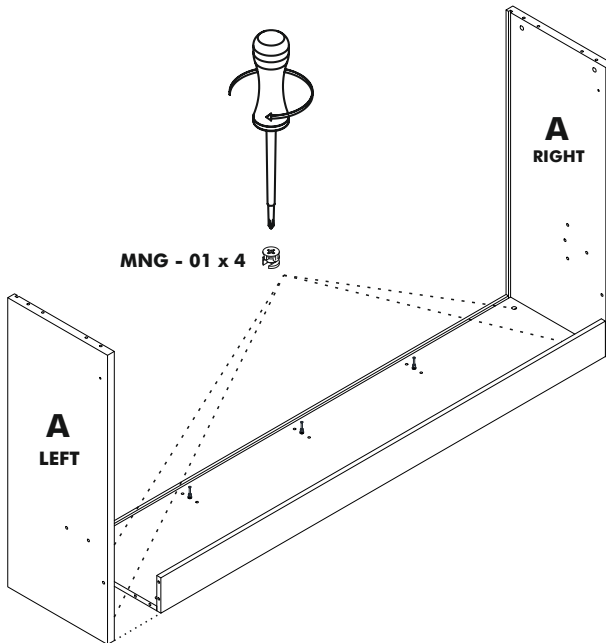
MNG - 01



STEP 4



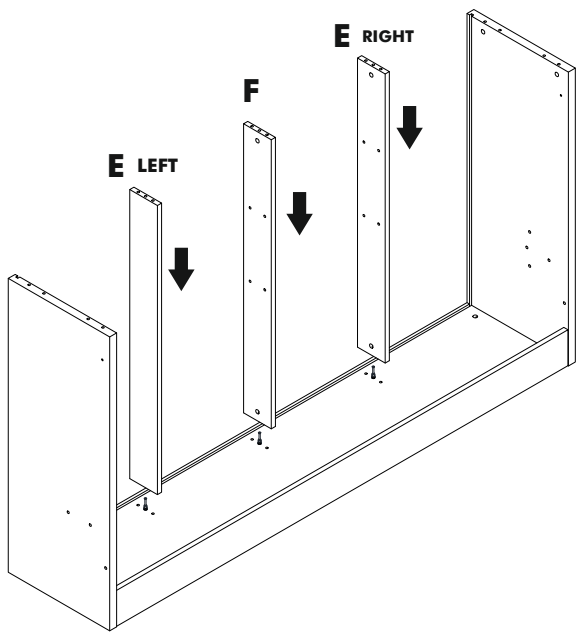
MNG - 01



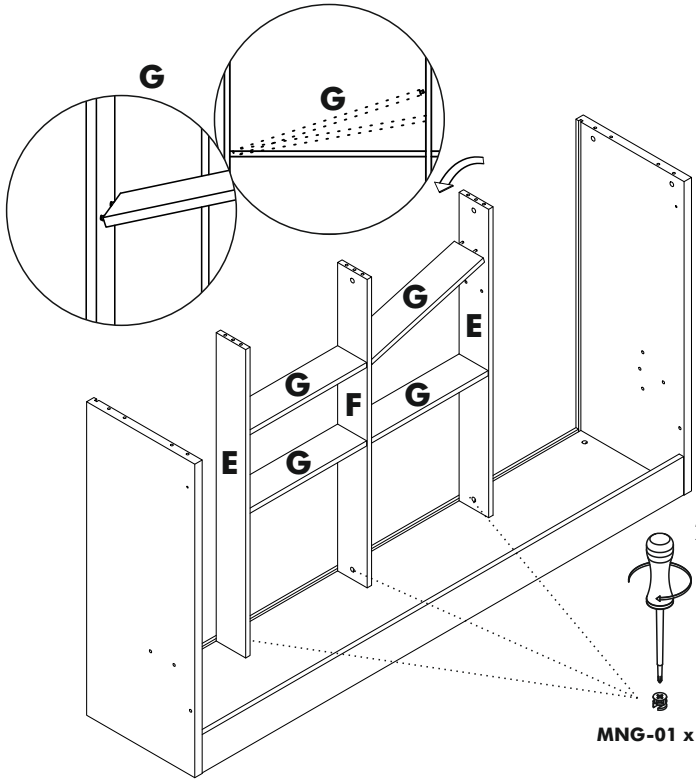
VIDEO



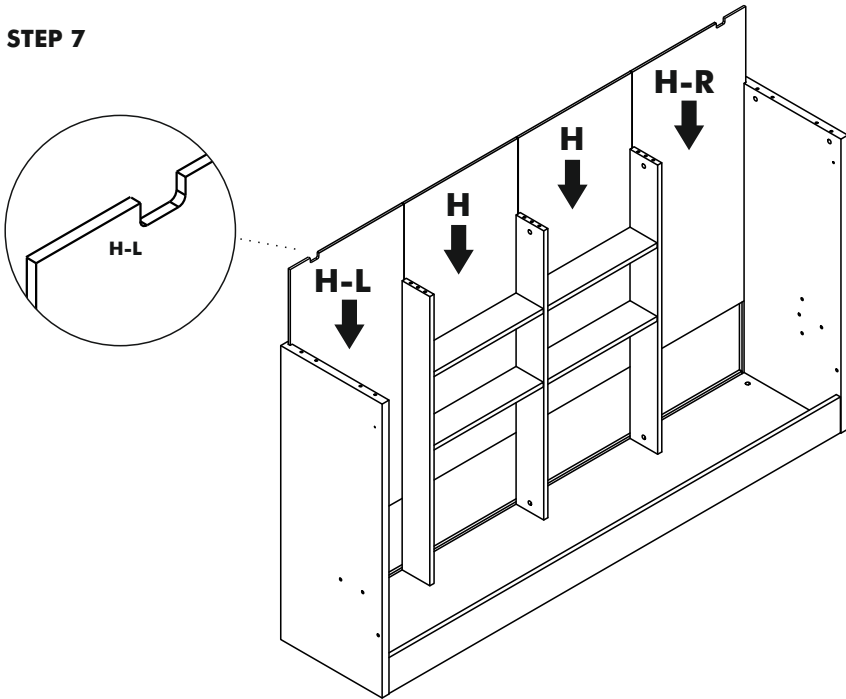
STEP 5



STEP 6



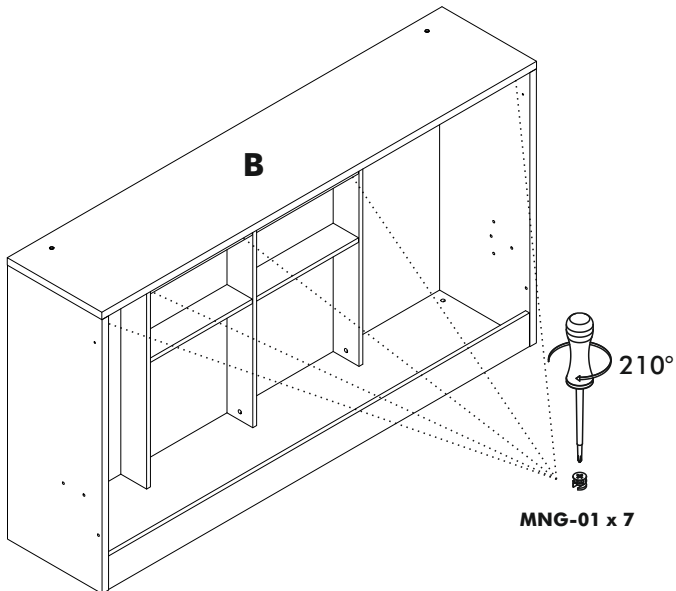
STEP 7



STEP 8



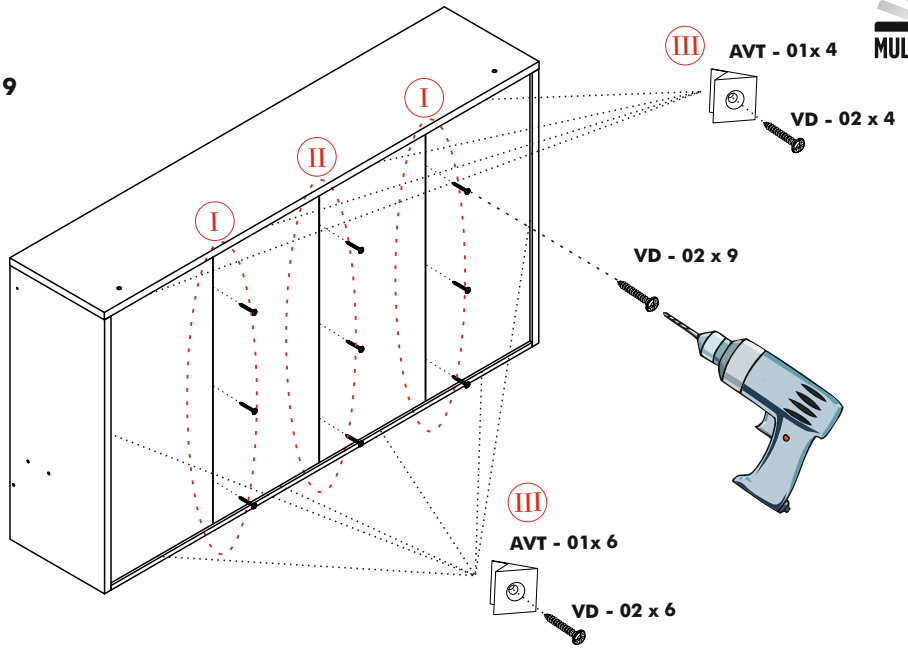
MNG - 01



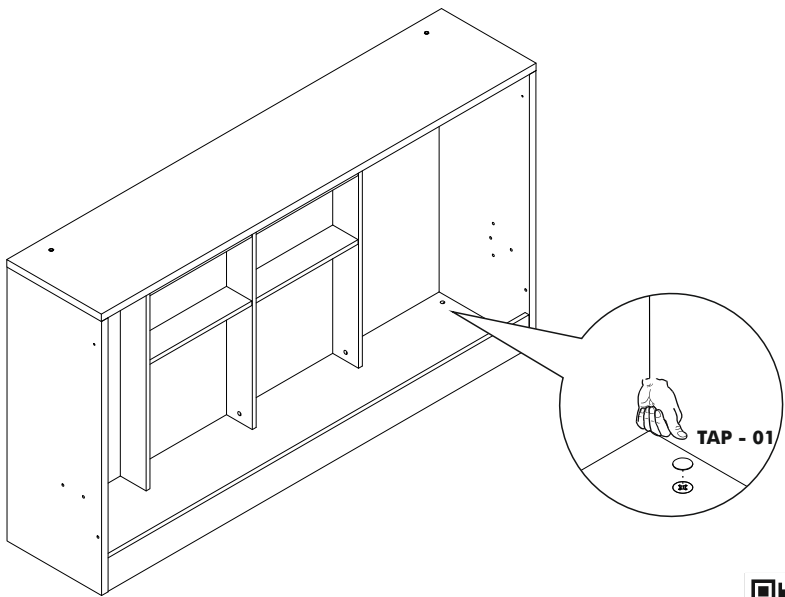
VIDEO



STEP 9



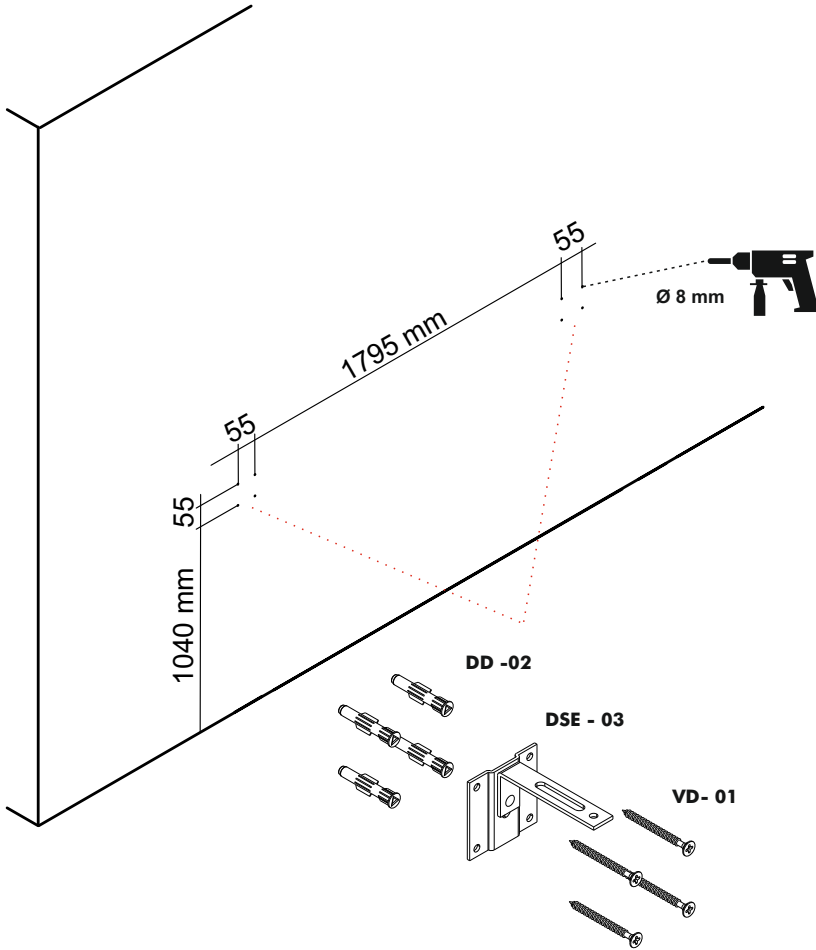
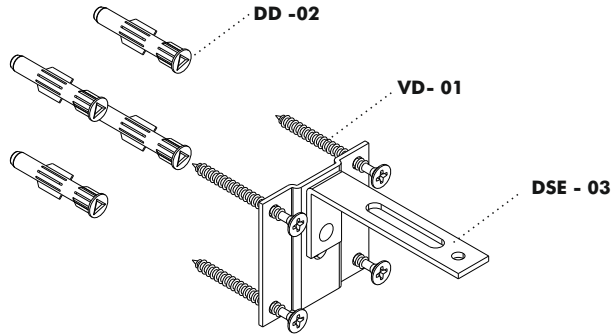
STEP 10



VIDEO



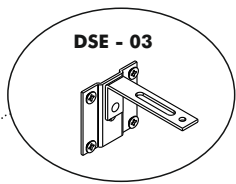
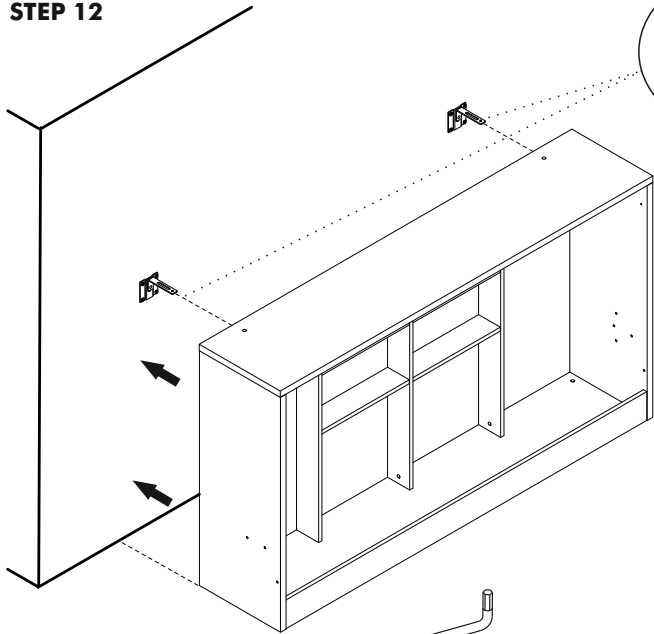
STEP 11



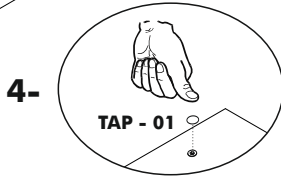
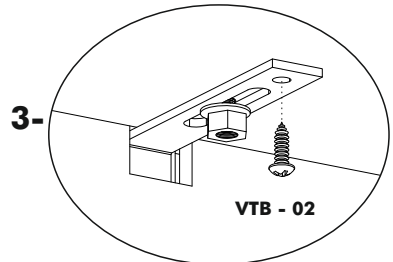
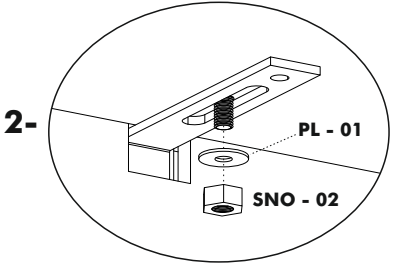
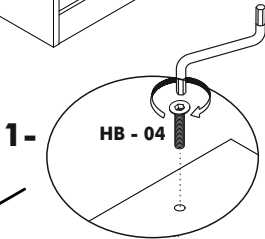
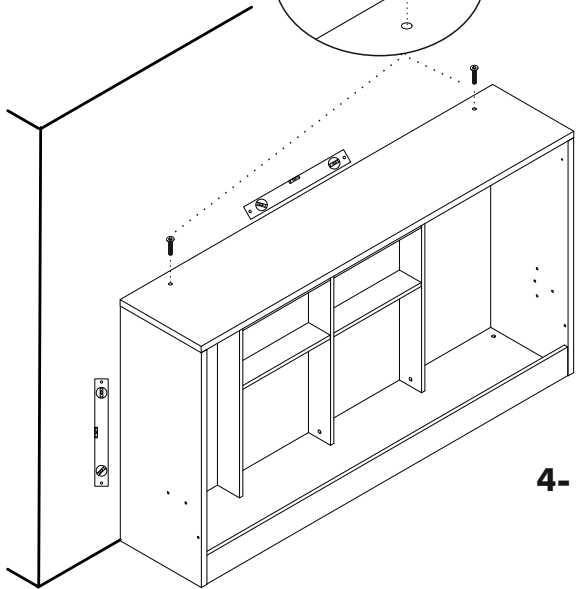
VIDEO



STEP 12



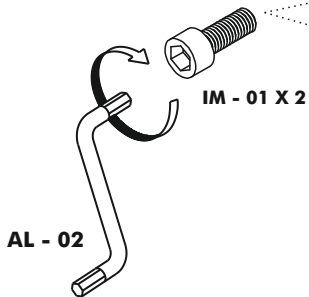
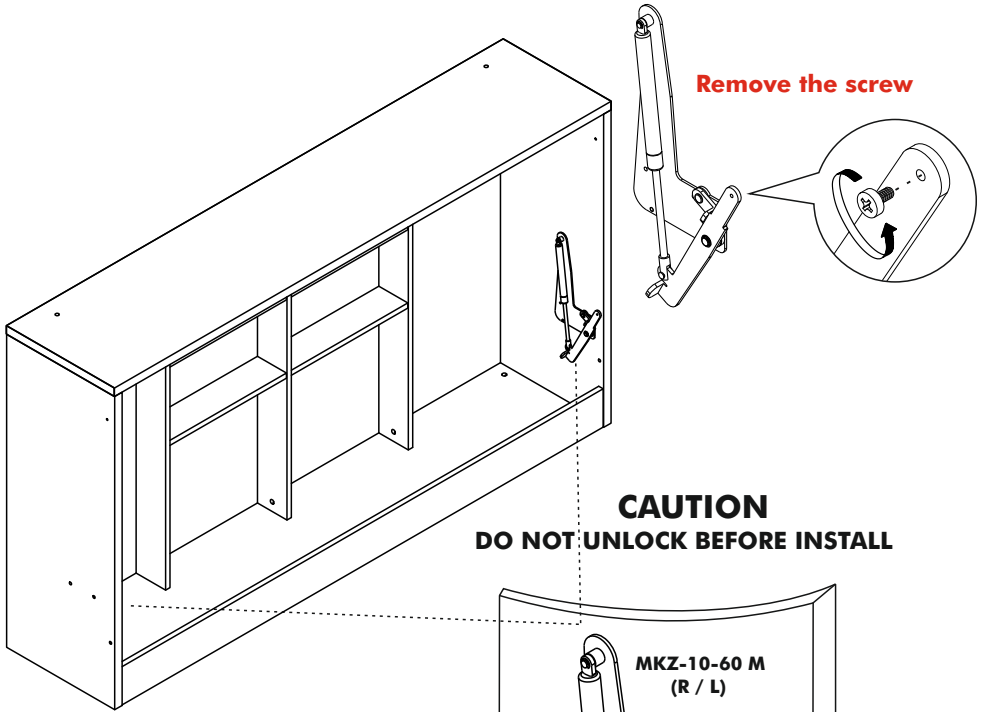
STEP 13



VIDEO



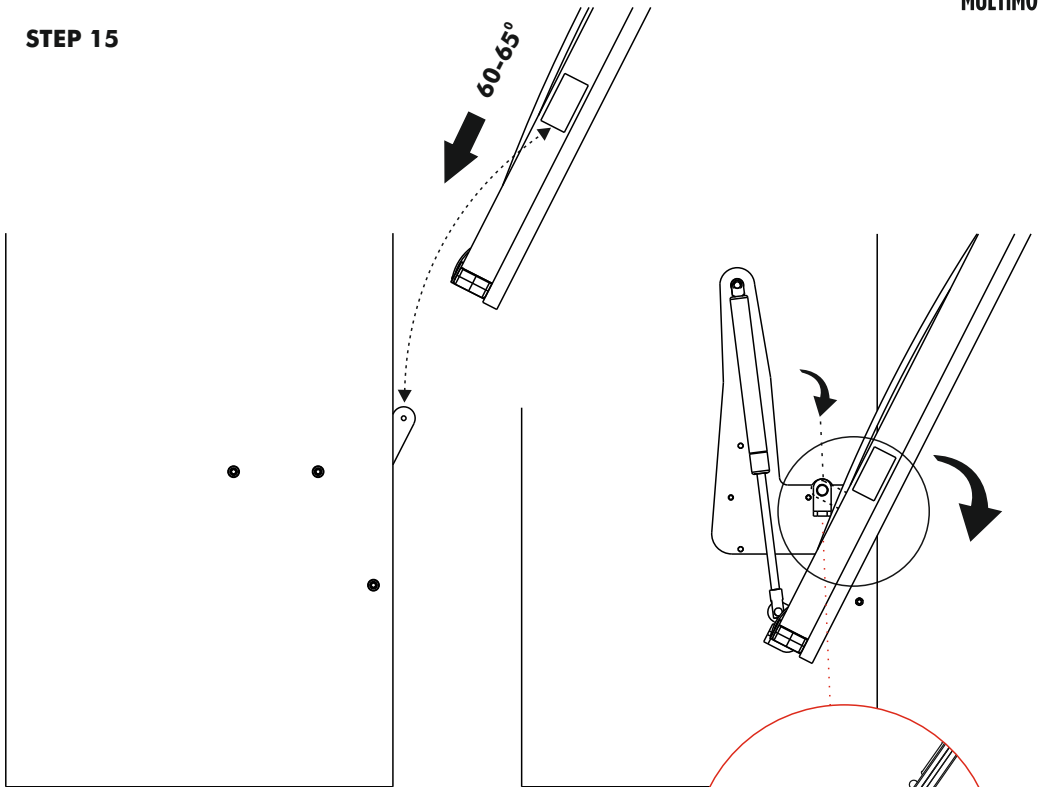
STEP 14



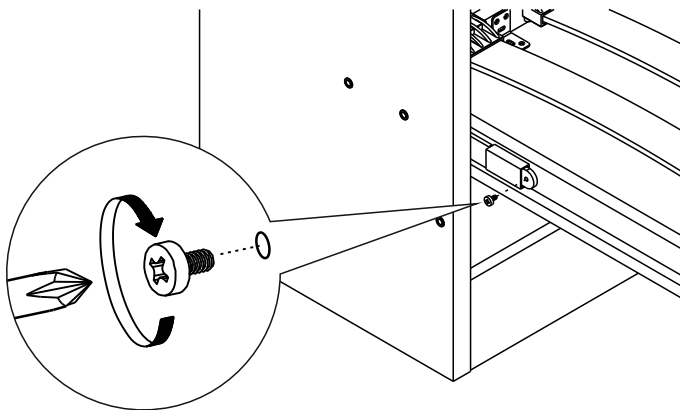
VIDEO



STEP 15



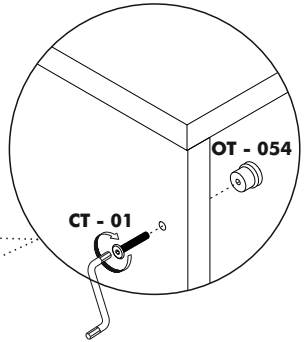
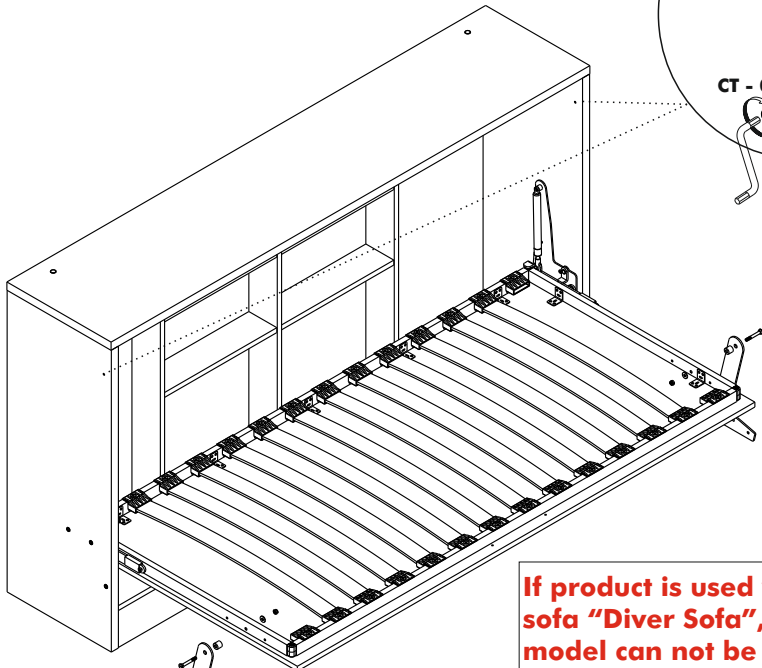
LET THE STOPPER LOCK MOVE DOWN !!!



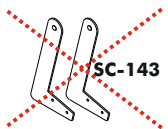
VIDEO



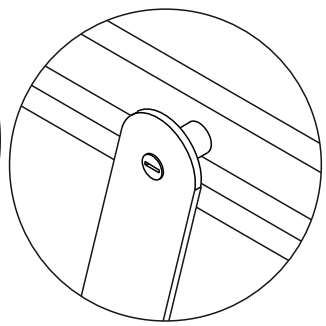
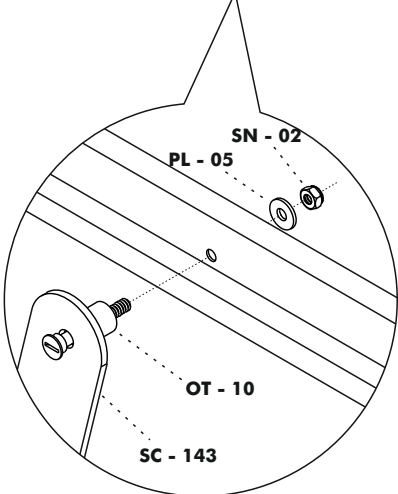
STEP 16



If product is used with its compatible sofa "Diver Sofa", the SC 143 leg model can not be used !



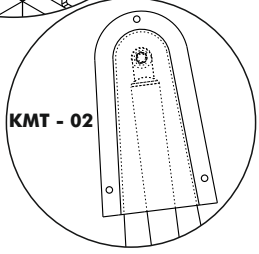
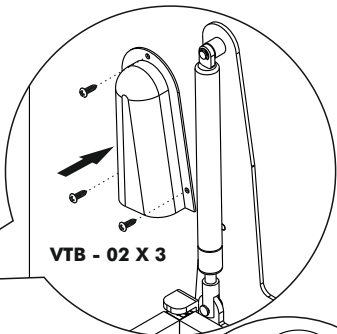
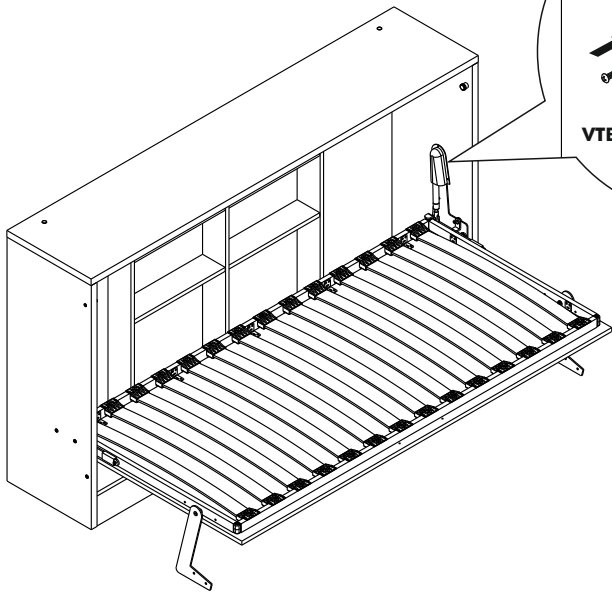
SC-143



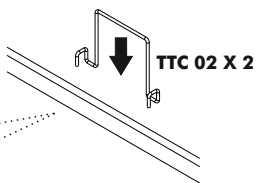
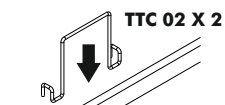
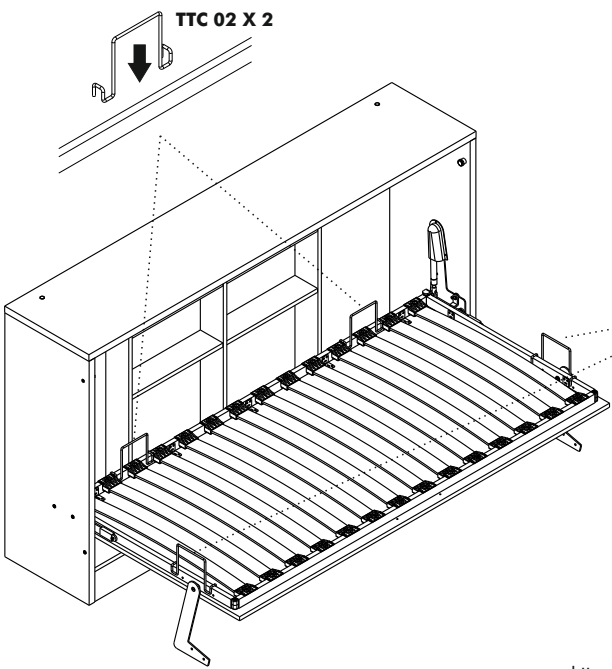
VIDEO



STEP 17



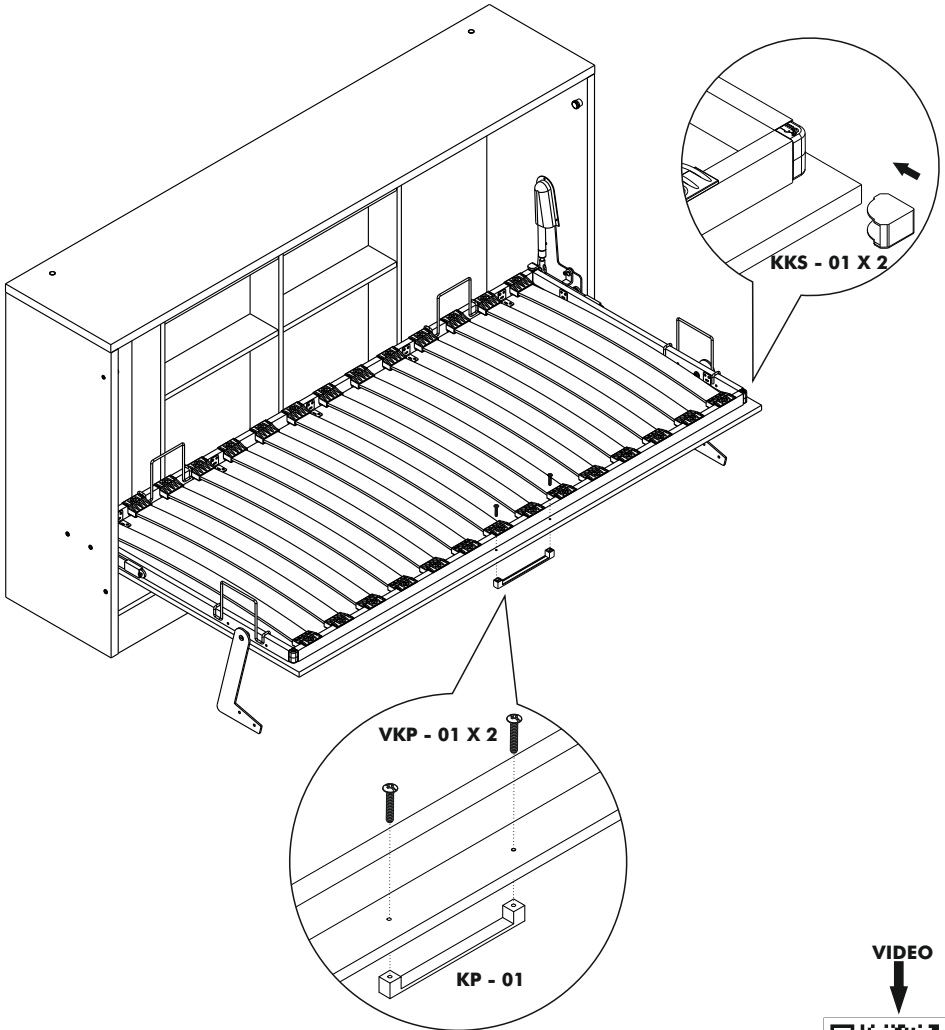
STEP 18



VIDEO



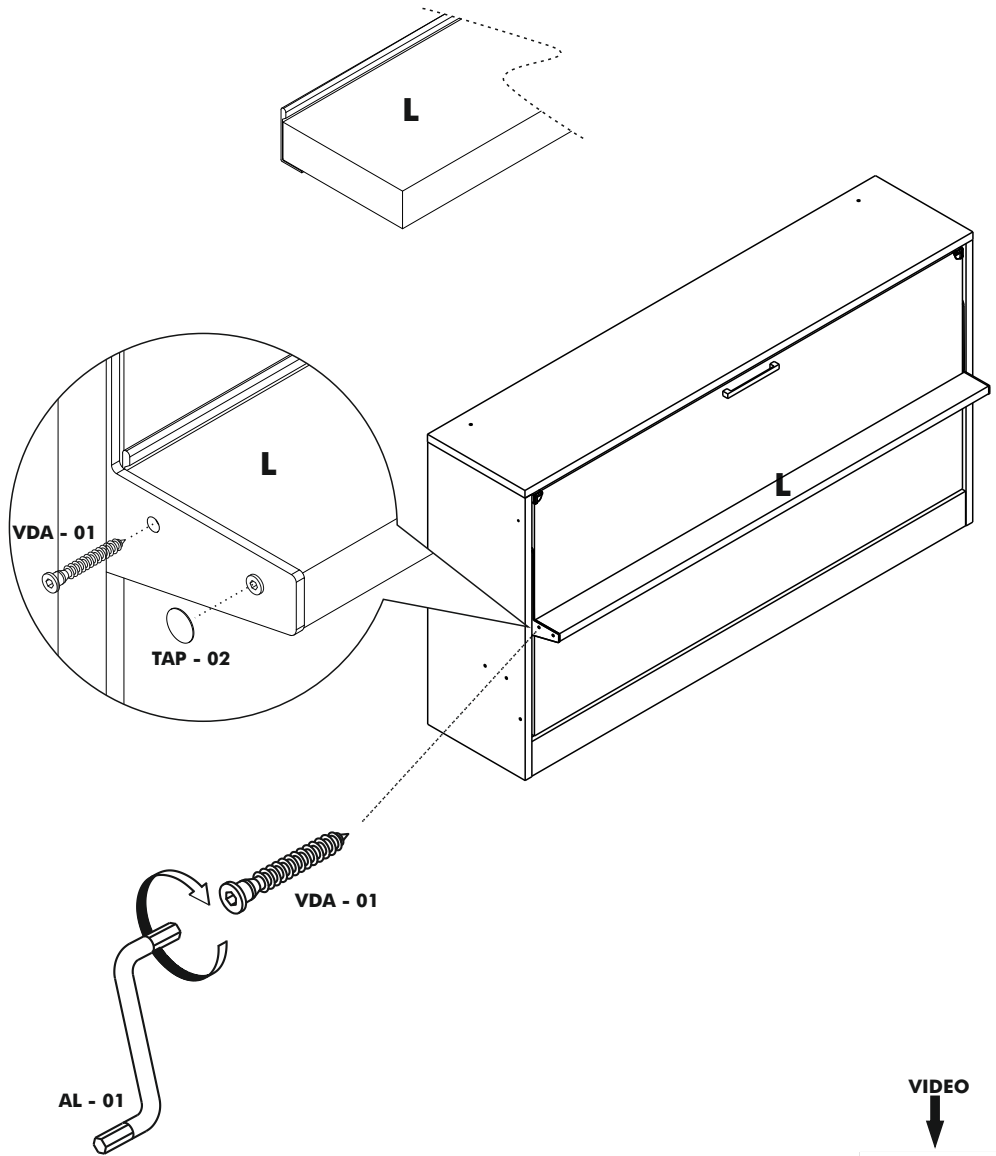
STEP 19



VIDEO

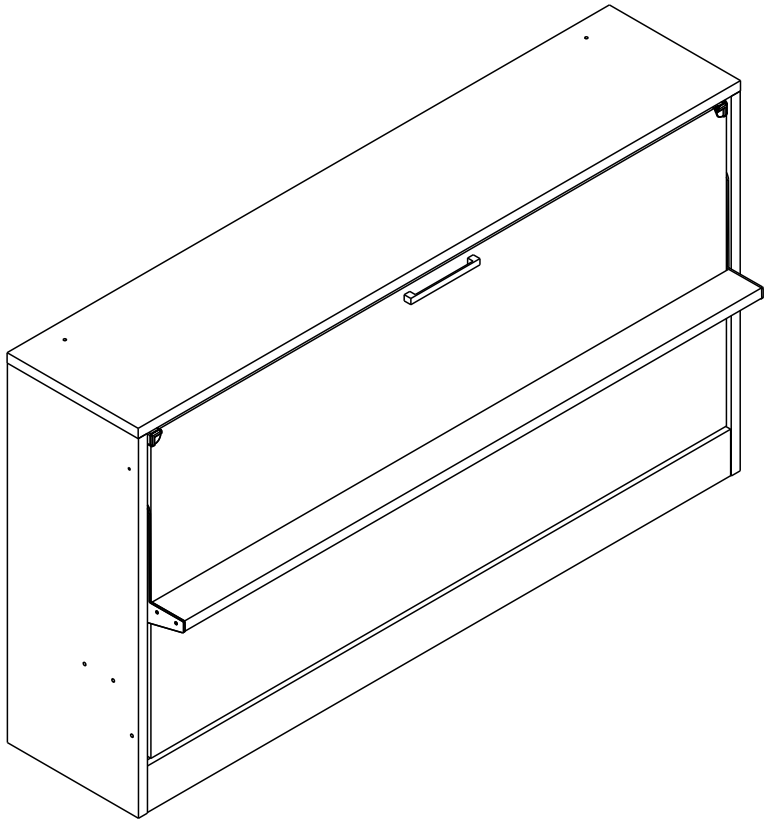


STEP 20



VIDEO





ATTENTION / HOW TO / READ ME / OWNER'S GUIDE

1. When mounting on a regular drywall, furniture must be fastened to wood or metal studs. Solid walls made of brick, concrete or similar strong material are also acceptable. Do not mount furniture to paper-mache or sheetrock (plasterboard) like material without properly fixing to stud.
2. For safety and product longevity you must periodically inspect the mounting and mechanical connections for integrity and tightness. Confirm hardware remains properly affixed and connections snug.
3. Wall Bed mattress thickness may not exceed 8 inches (200mm). Take care to remove pillows and excess blankets before closing. Doing so keeps mechanism free of obstruction and unnecessary stress.
4. Do not lean or rest heavy objects on side or top of furniture. This may cause balance issues and compromise the integrity of your mounting connections.
5. Please use the furniture's beds, desks and shelving as intended. Not designed to be sat, stood, leaned, jumped (etc) on. Improper use may cause personal injury and damage to property.
6. With seasonal humidity change you must inspect interior and exterior of furniture.
7. Single bed models are suitable for the weight of one person. Sleeping by more than one person will cause damage of the product.
8. Before any un-mounting or disassembly please contact Multimo for technical support and instruction. Failure to properly detach risks injury to person and damage to property.
9. For Bunk Beds:
 - a. Always use provided ladder when accessing top bunk.
 - b. Be slow, careful and aware of surroundings when opening top bunk.
 - c. Do not horseplay. Beds are to be slept on only.
 - d. Some have legs that fully extend when open- be aware of where the leg is and will be.



www.multimo.com