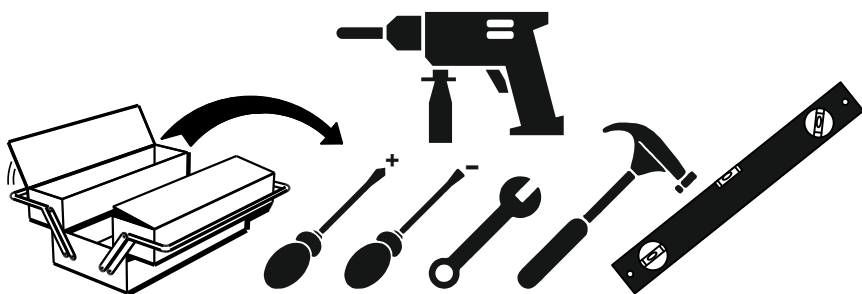
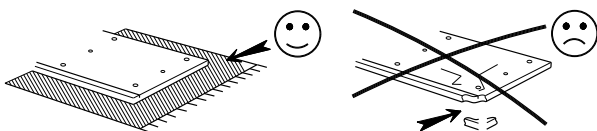
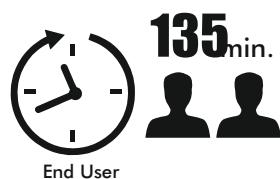
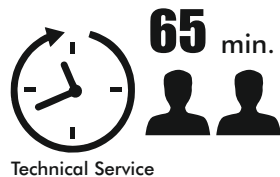
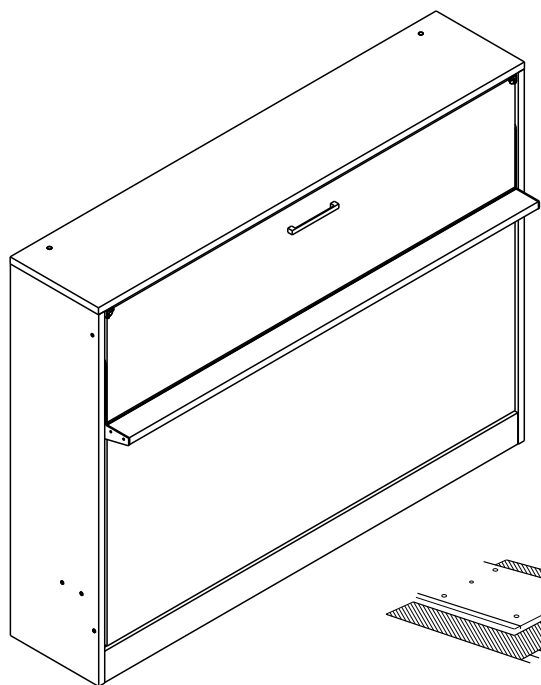




# MULTIMO

## 1123-2 COUPLE 200



VIDEO

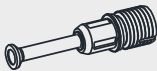




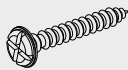

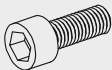
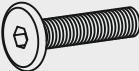


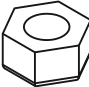




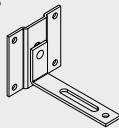

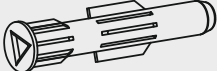
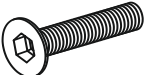


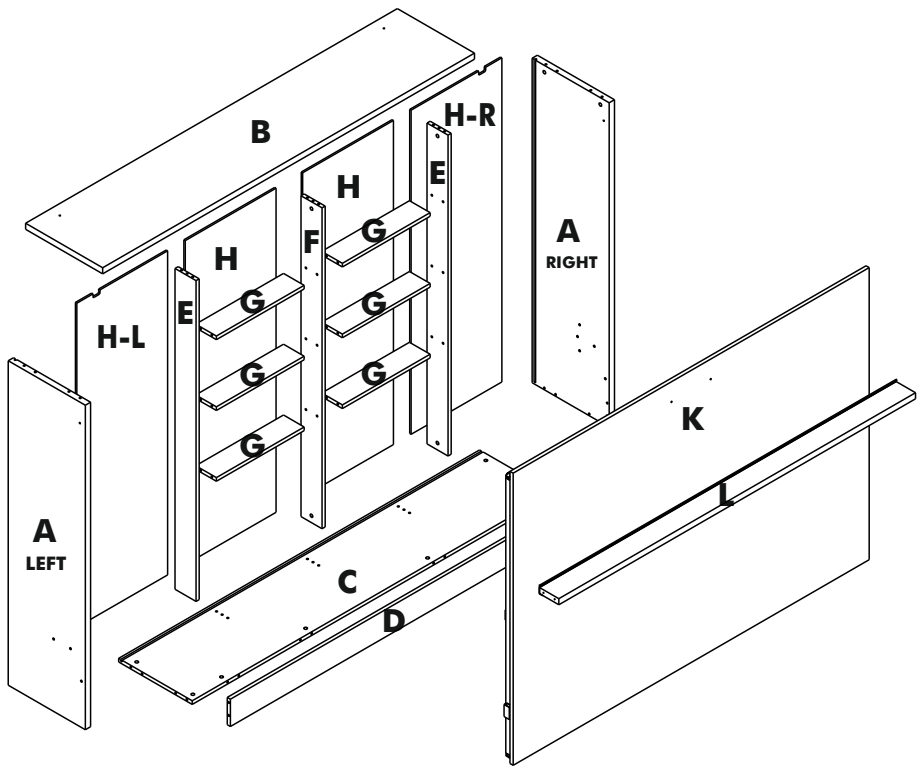
<https://www.youtube.com/watch?v=pQkARVFPm5U>


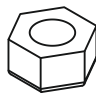
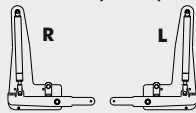
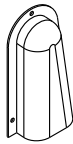
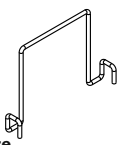
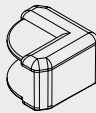

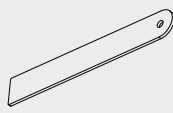

Assembly Instructions

Product Parts	Piece	(inch)			(mm)			
		Thickness	Length	Width	Piece	Thick	Height	Width
A-R / A-L	2	1,18	63,15	17,32	2	30	1604	440
B	1	1,18	83,54	17,36	1	30	2122	441
C	1	0,71	81,10	16,54	1	18	2060	420
D	1	0,71	81,10	5,31	1	18	2060	135
E-R / E-L	2	0,71	62,44	4,72	2	18	1586	120
F	1	0,71	62,44	4,72	1	18	1586	120
G	6	0,71	19,72	4,65	6	18	501	118
H / H-R / H-L	4	0,31	63,07	20,39	4	8	1602	518
K	1	0,71	80,00	56,85	1	18	2032	1444
L	1	1,18	80,16	4,33	1	30	2036	110

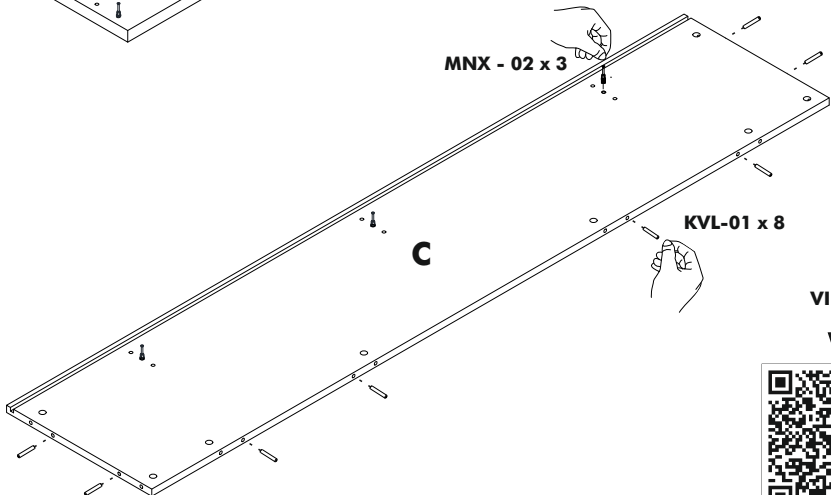
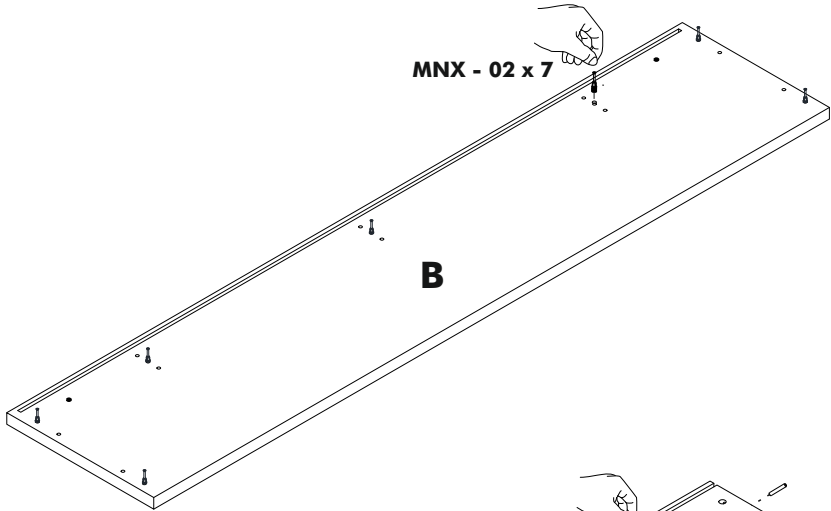
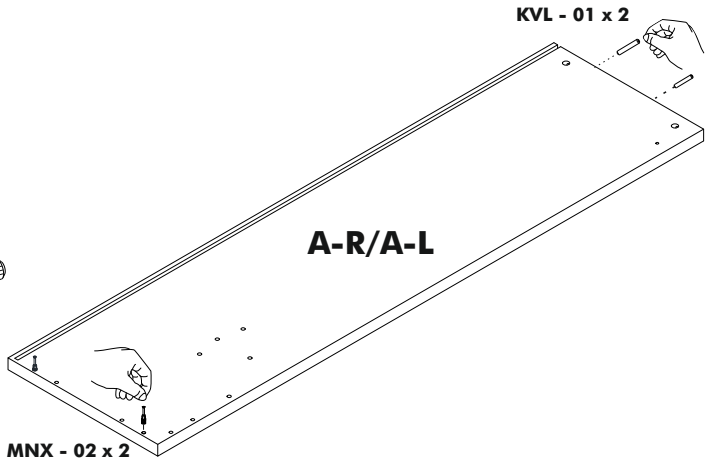
## Accessories List

<b>MNX 02</b>  18 / piece	<b>MNG - 01</b>  18 / piece	<b>KVL 01</b>  52 / piece	<b>TAP - 01</b>  20 / piece
<b>AVT - 01</b>  12 / piece	<b>VD - 02 (3,5x25) mm</b>  24 / piece	<b>VKP - 01 (22) mm</b>  2 / piece	<b>IM - 01 (6x30) mm</b>  4 / piece
<b>CT - 01 ( 6x40 ) mm</b>  2 / piece	<b>OT-054</b>  2 / piece	<b>PL - 05 (8x16x2) mm</b>  2 / piece	<b>SN - 02 ( M8 )</b>  2 / piece
<b>TAP - 02</b>  4 / piece	<b>OT 10</b>  2 / piece	<b>VTB - 02 (4,2x16) mm</b>  8 / piece	<b>VDA - 01 ( 6,5x50 ) mm</b>  4 / piece
<b>DSE - 03</b>  2 / piece	<b>VD - 01(6X70) mm</b>  8 / piece	<b>DD - 02 ( R8 )</b>  8 / piece	<b>HB - 04 ( 6x40 ) mm</b>  2 / piece



<p><b>PL - 01 (6x19x1) mm</b></p>  <p><b>2 / piece</b></p>	<p><b>SNO - 02 ( M6 )</b></p>  <p><b>2 / piece</b></p>	<p><b>MKZ-10-60 M ( 950 N )</b></p>  <p><b>1 / piece</b></p>	<p><b>KMT - 02</b></p>  <p><b>2 / piece</b></p>
<p><b>TTC 02</b></p>  <p><b>4 / piece</b></p>	<p><b>KKS - 01</b></p>  <p><b>2 / piece</b></p>	<p><b>SC - 143</b></p>  <p><b>2 / piece</b></p>	<p><b>SC-61</b></p>  <p><b>2 / piece</b></p>
<p><b>KP - 01 ( 224 ) mm</b></p>  <p><b>1 / piece</b></p>			

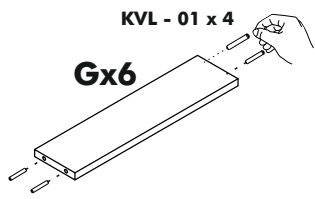
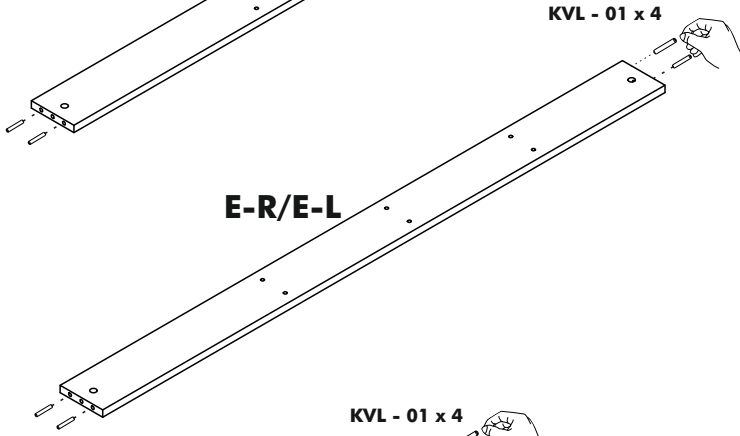
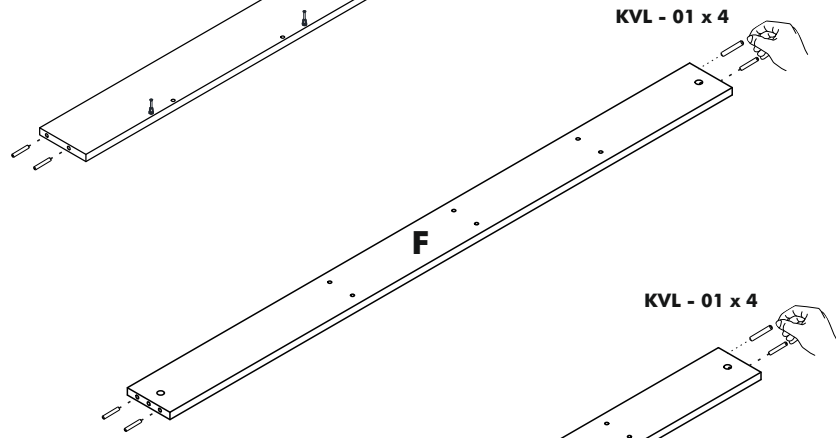
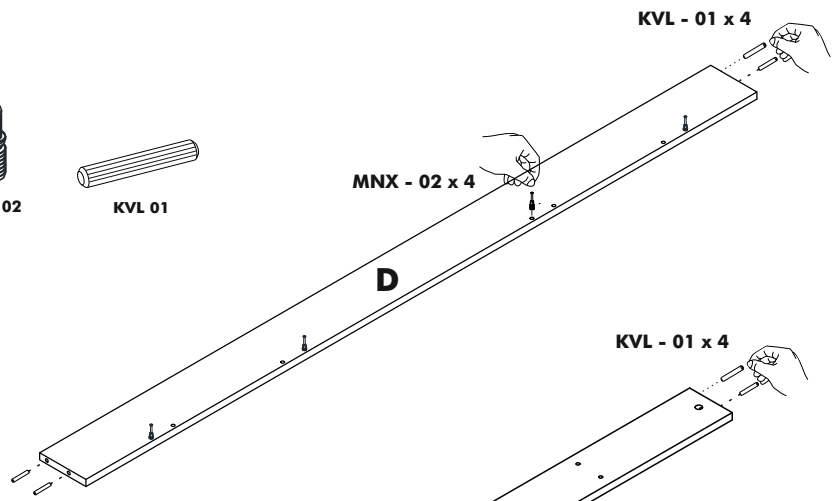
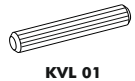
**STEP 1**



**VIDEO**



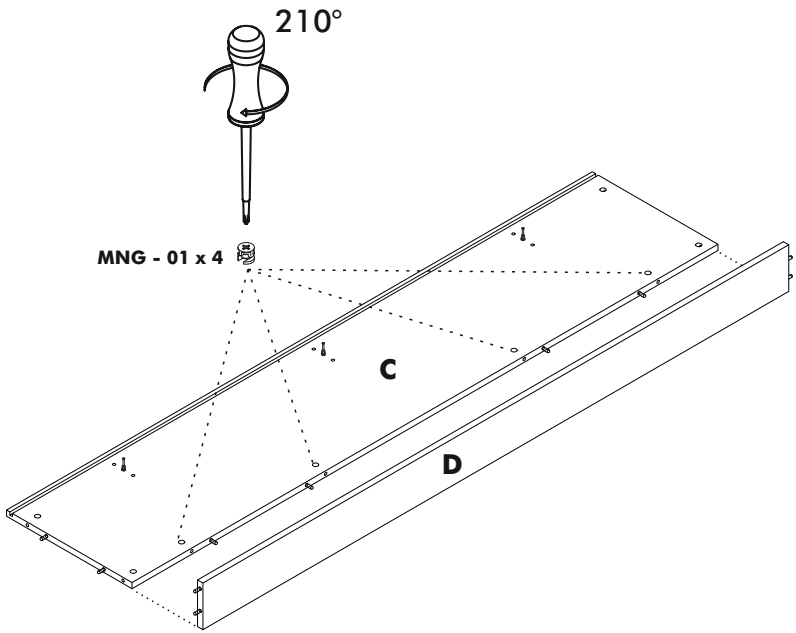
**STEP 2**



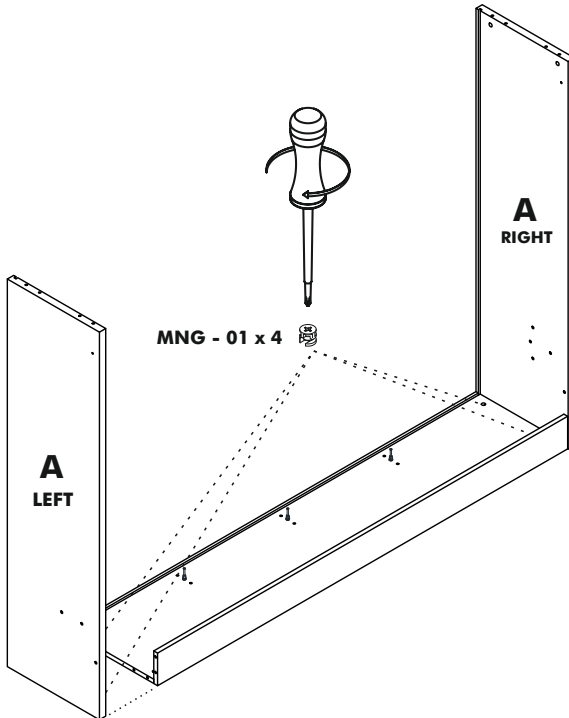
**VIDEO**



**STEP 3**



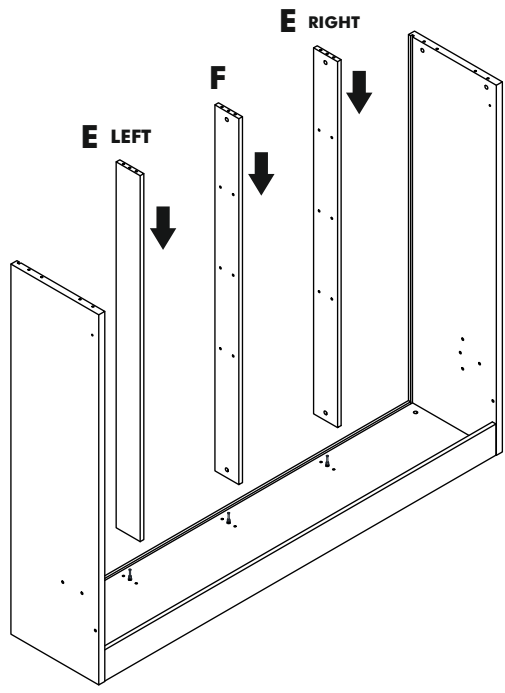
**STEP 4**



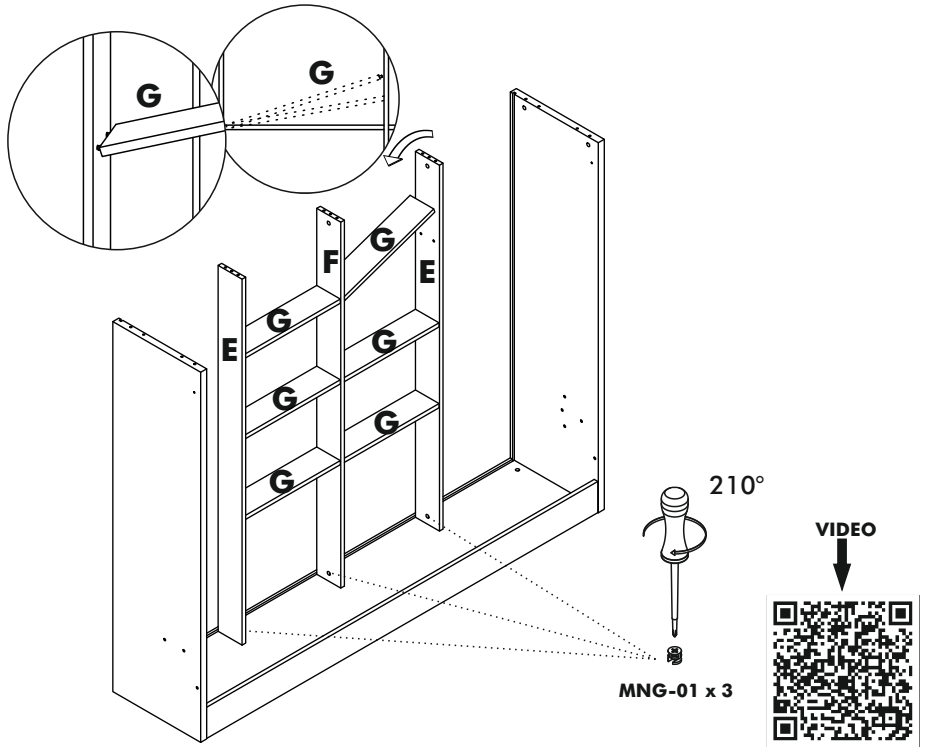
VIDEO



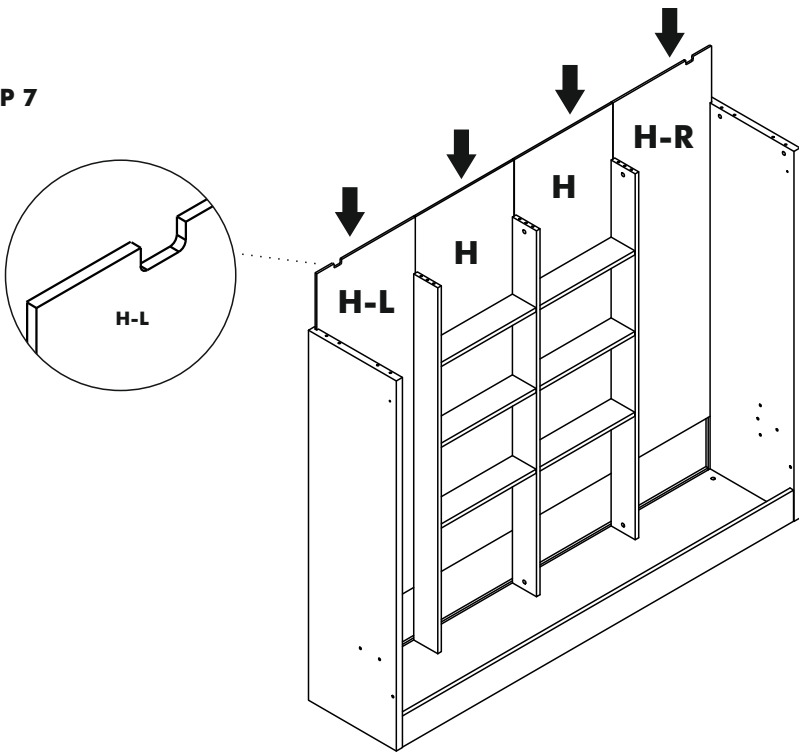
**STEP 5**



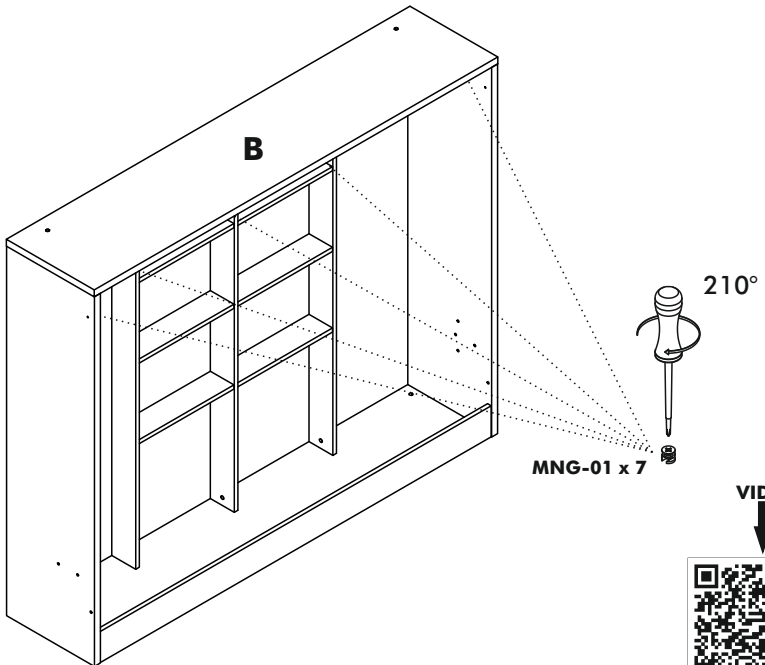
**STEP 6**



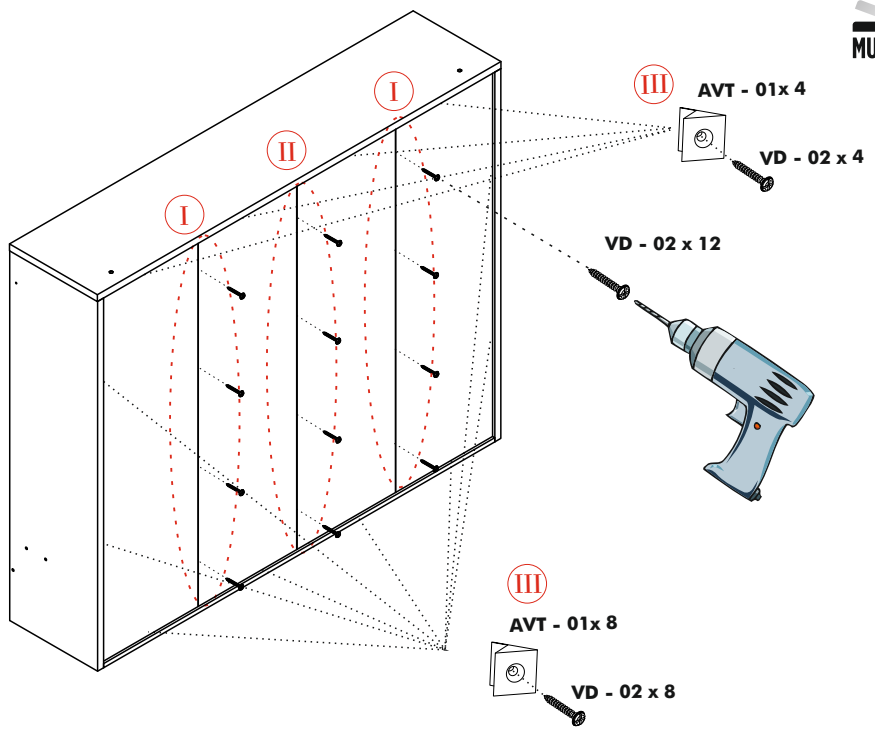
STEP 7



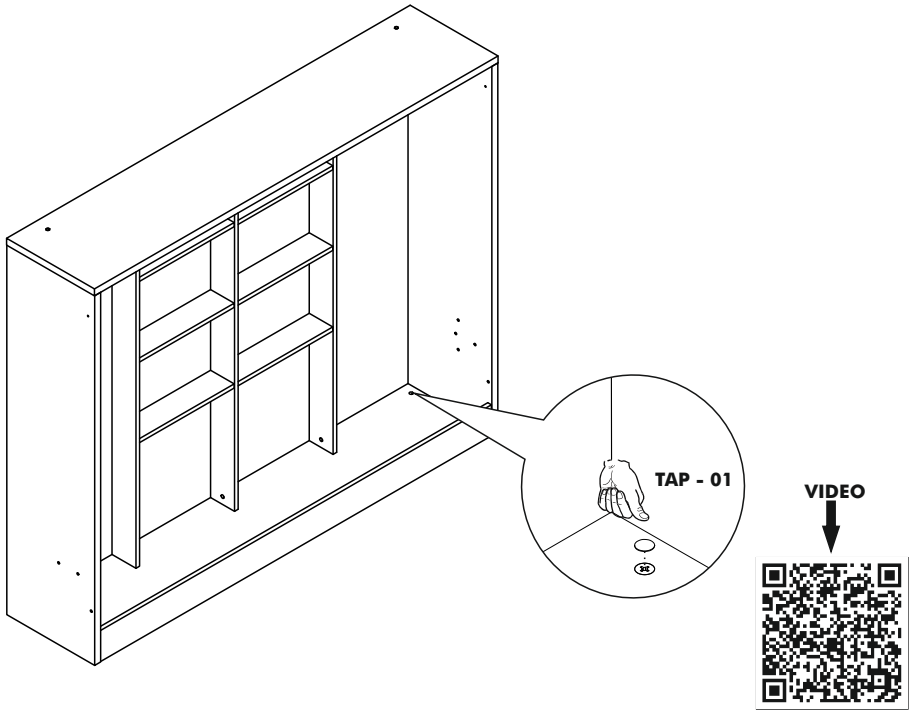
STEP 8



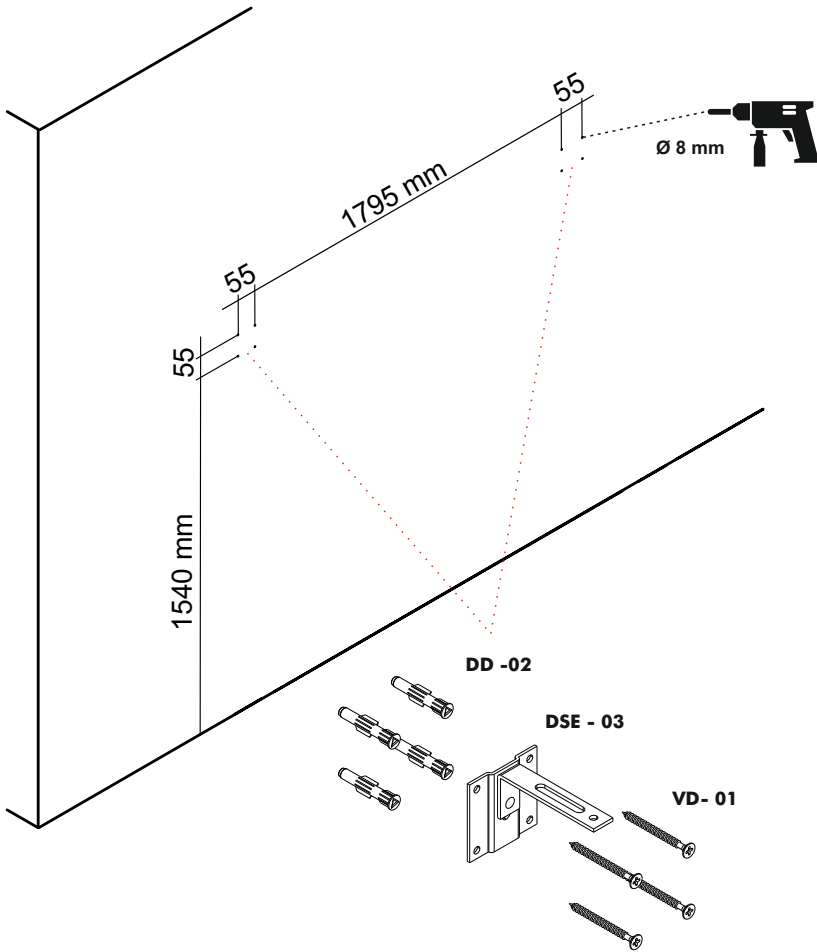
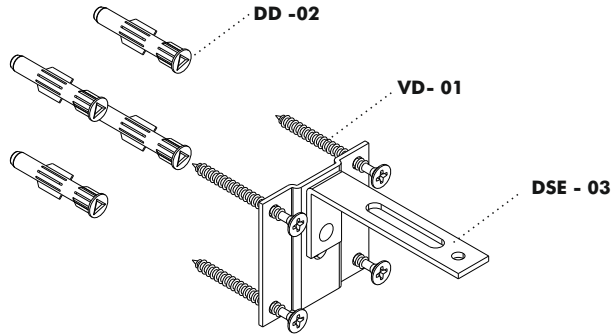
**STEP 9**



**STEP 10**



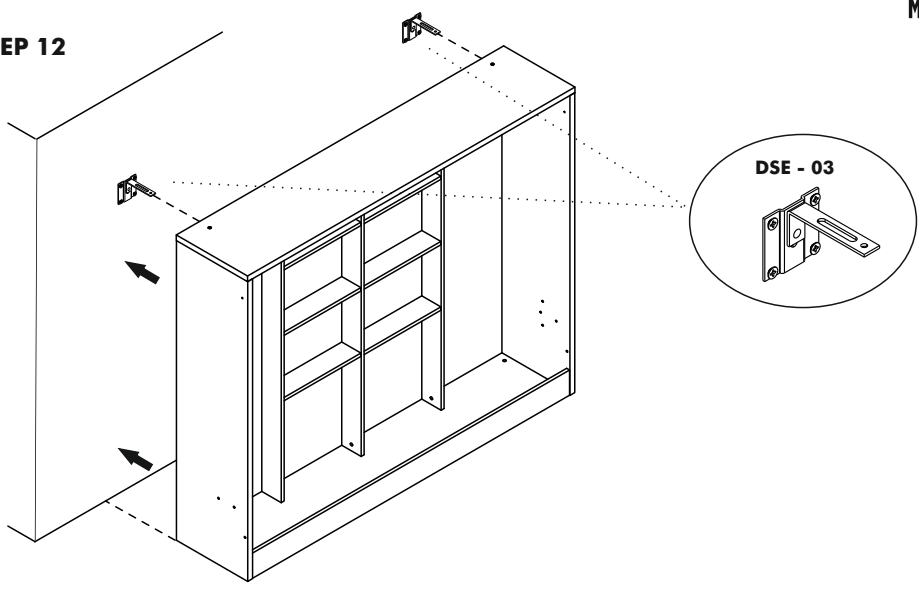
STEP 11



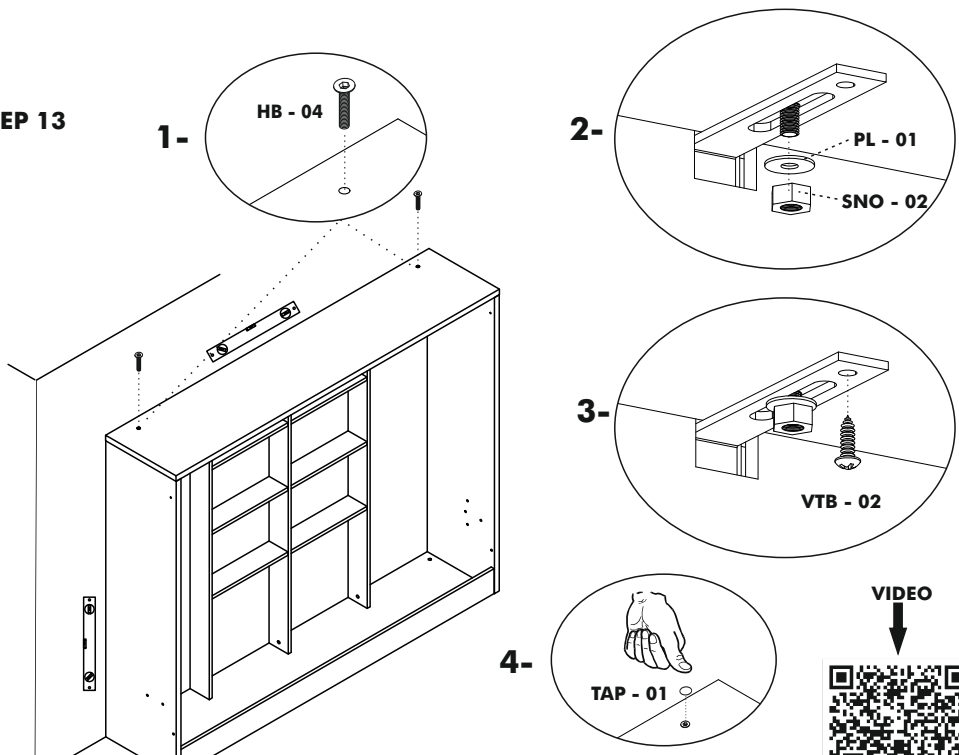
VIDEO



**STEP 12**



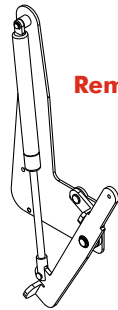
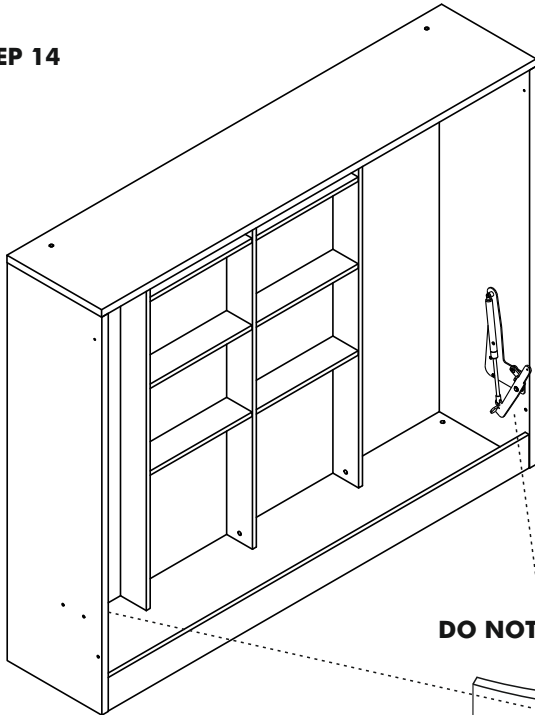
**STEP 13**



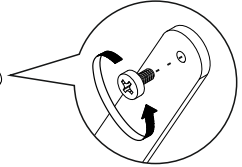
**VIDEO**



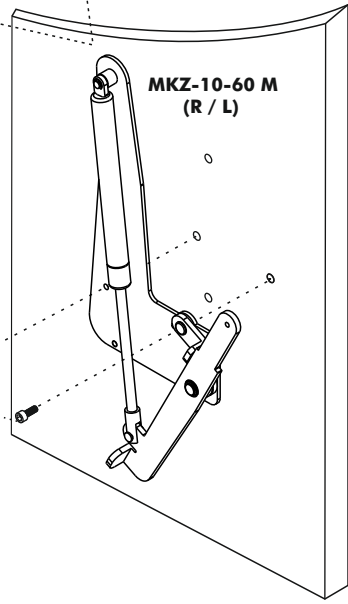
**STEP 14**



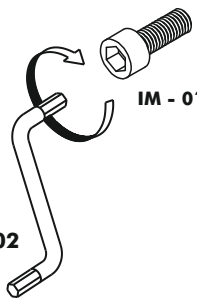
**Remove the screw**



**CAUTION**  
**DO NOT UNLOCK BEFORE INSTALL**



**MKZ-10-60 M**  
**(R / L)**



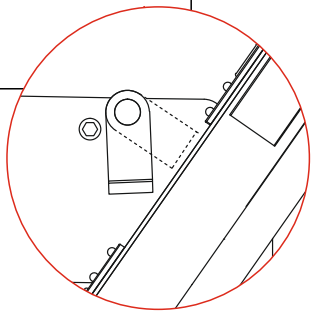
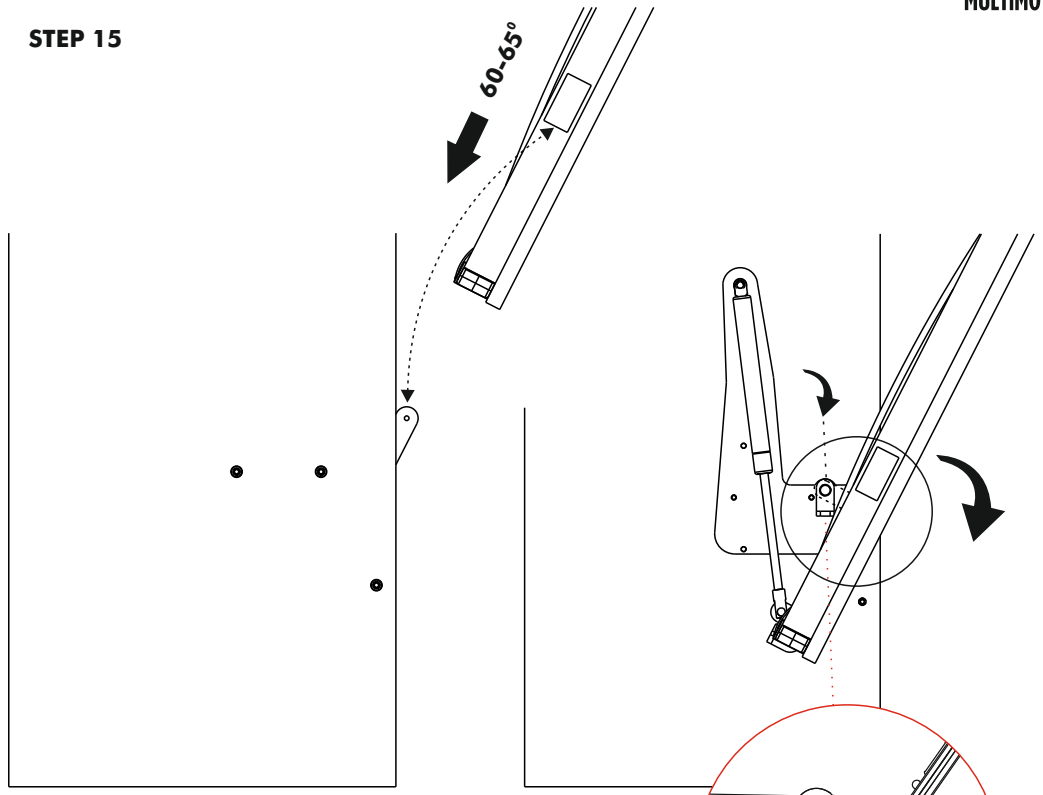
**IM - 01 X 2**

**AL - 02**

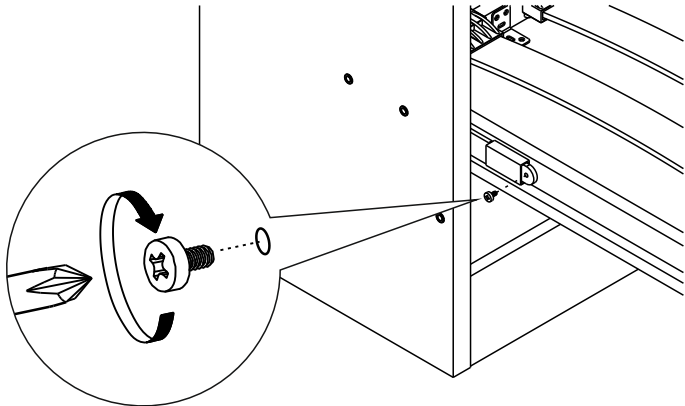
**VIDEO**



**STEP 15**



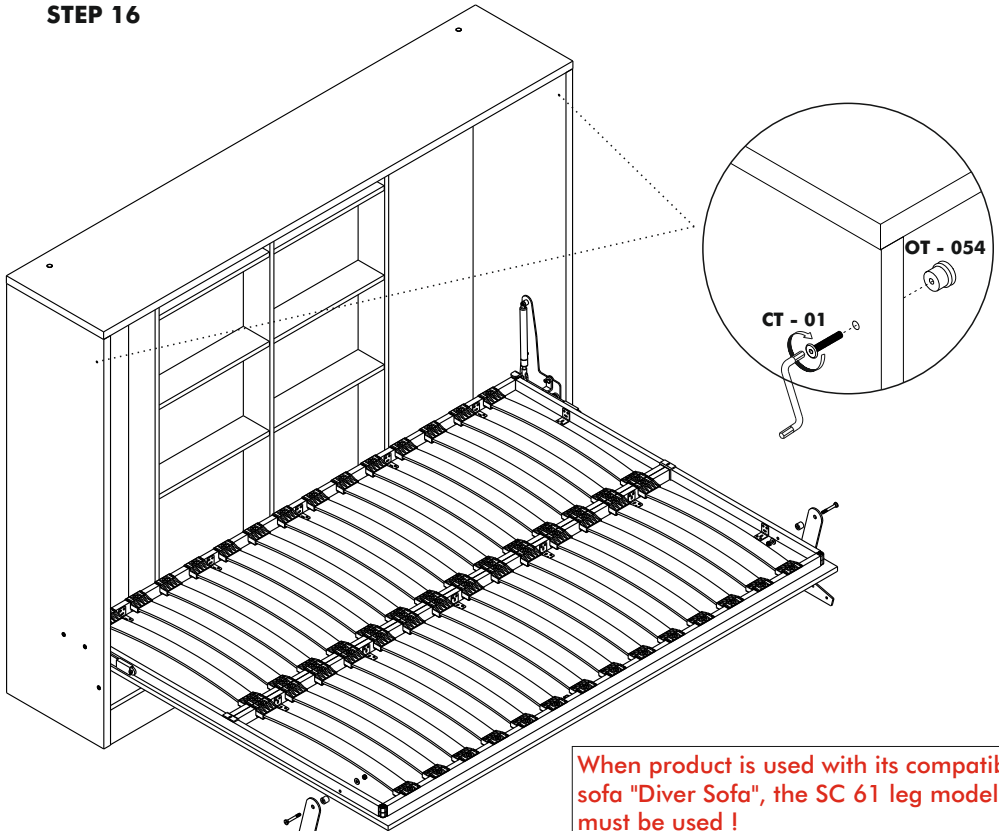
**LET THE STOPPER LOCK MOVE DOWN !!!**



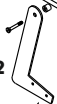
**VIDEO**



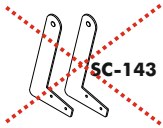
# STEP 16



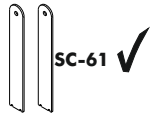
SC-143 x 2



When product is used with its compatible sofa "Diver Sofa", the SC 61 leg model must be used !



SC-143



SC-61 ✓

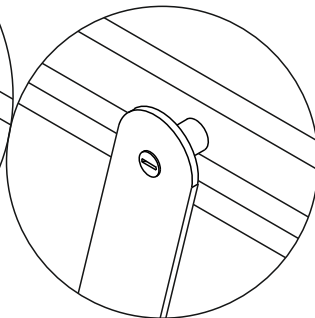
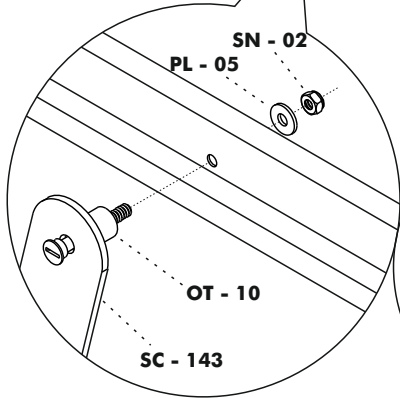
SN - 02

PL - 05



OT - 10

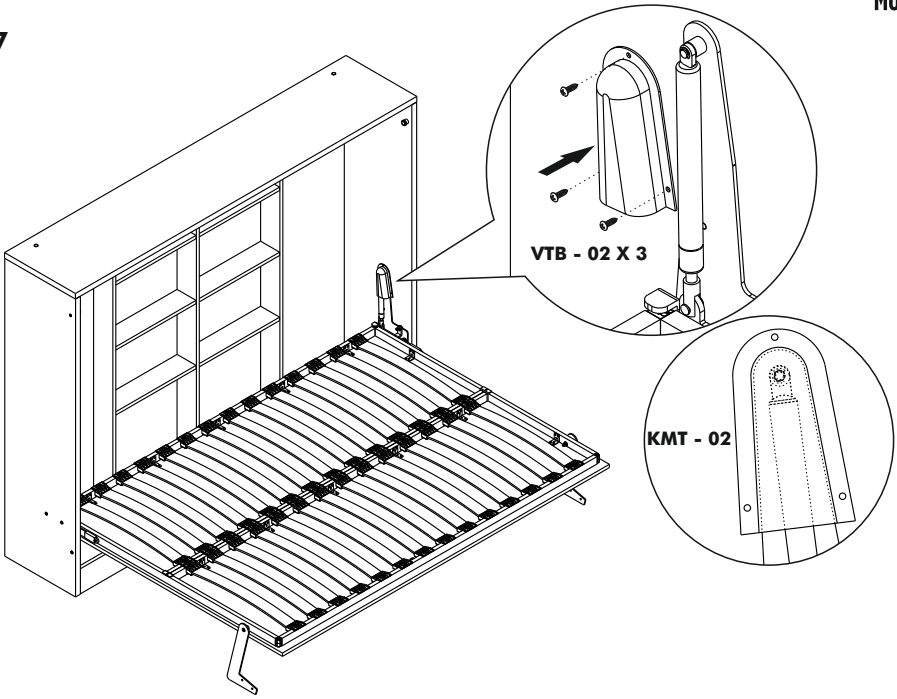
SC - 143



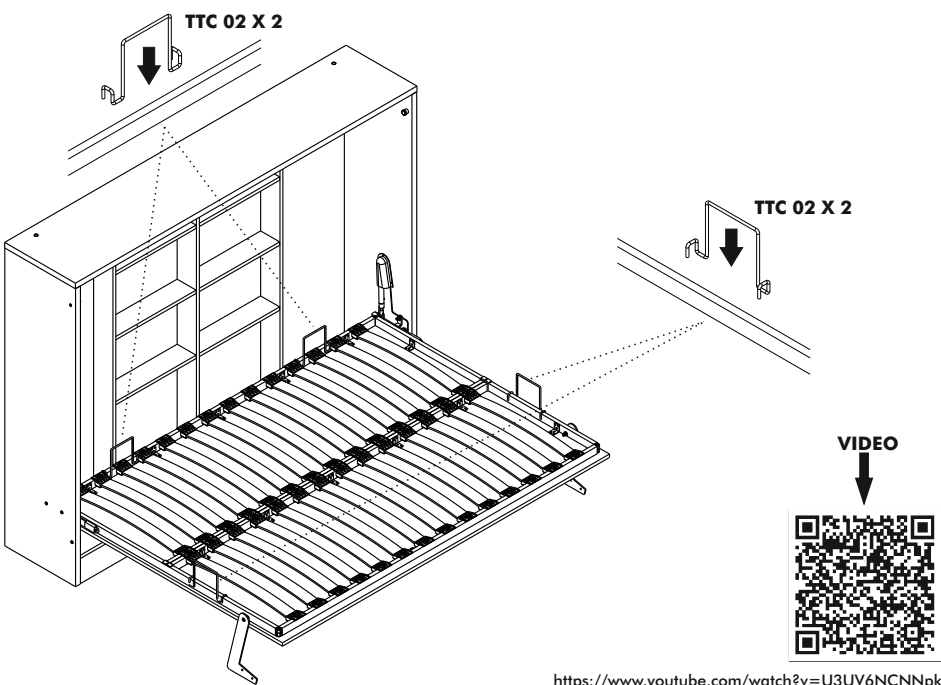
VIDEO



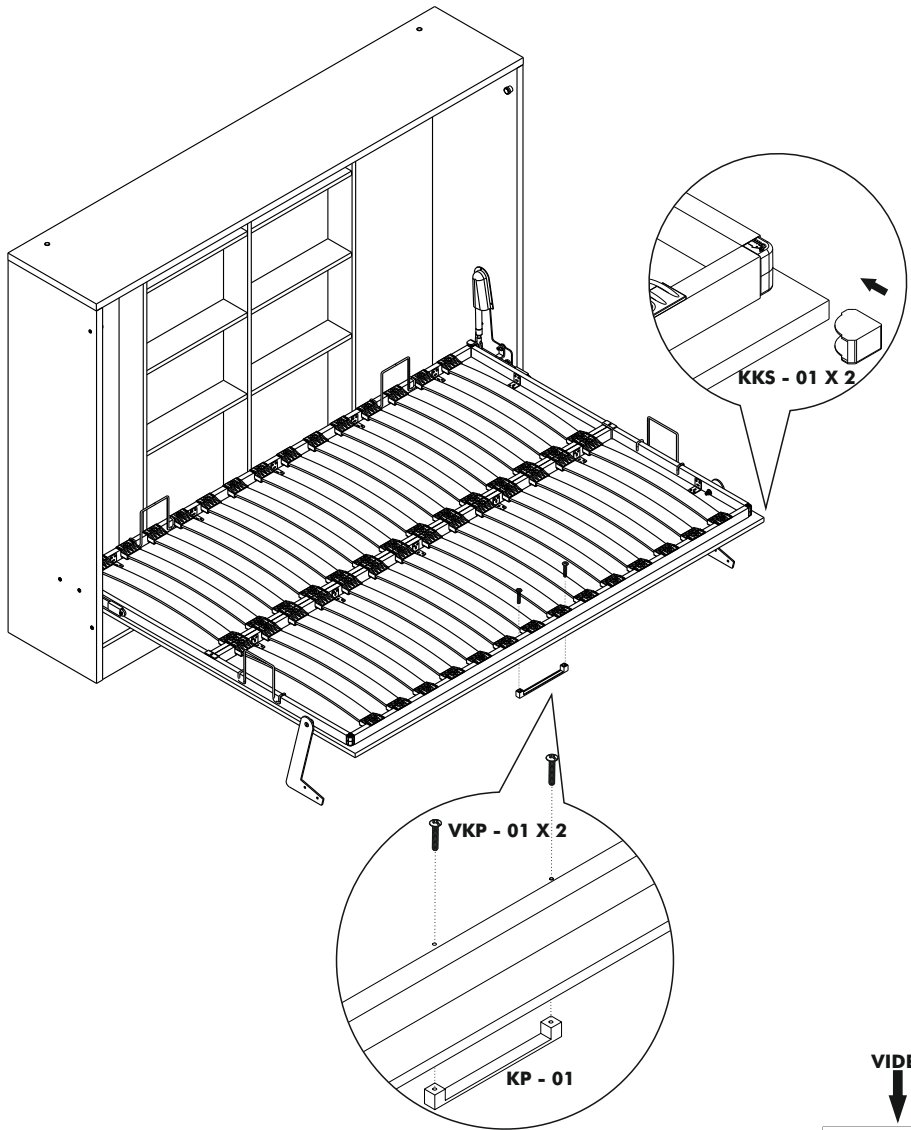
**STEP 17**



**STEP 18**



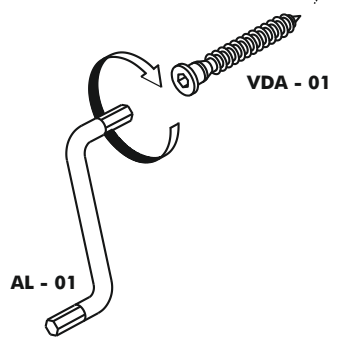
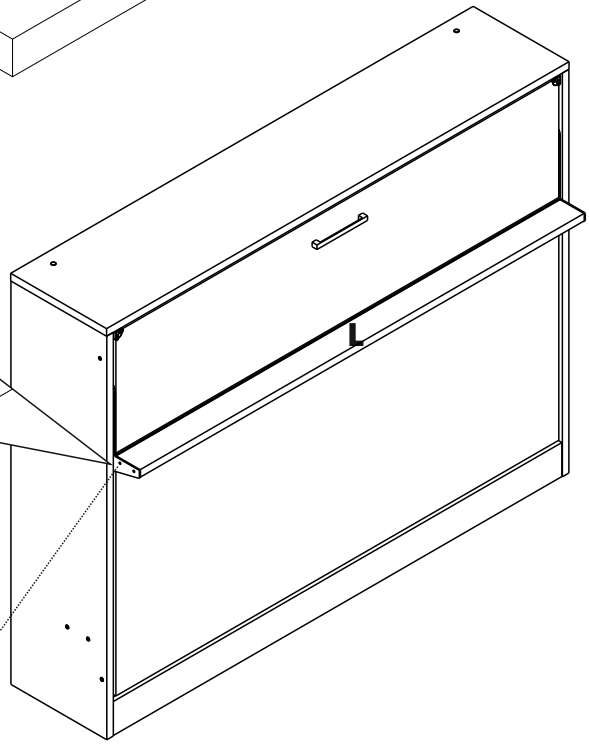
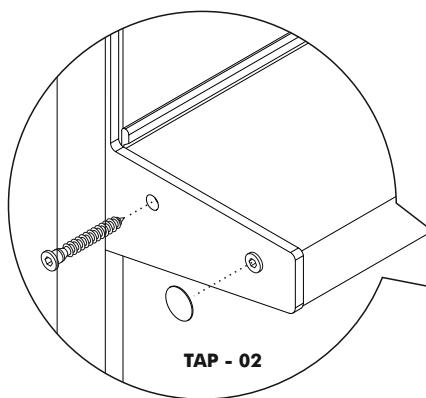
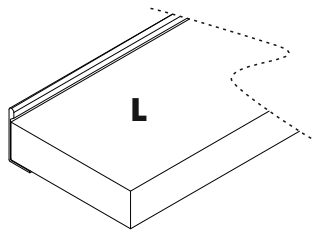
STEP 19



VIDEO

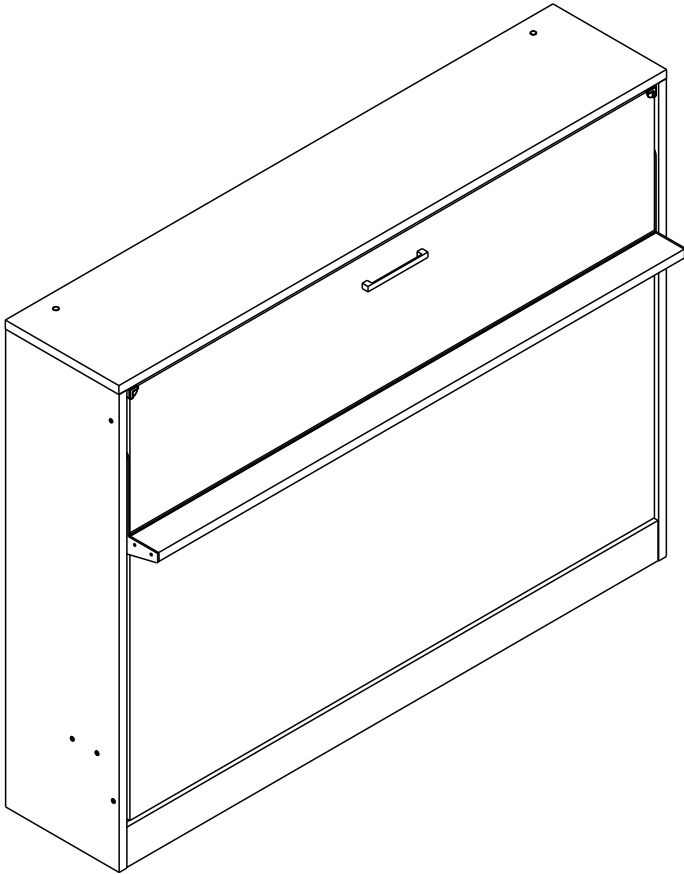


**STEP 20**



**VIDEO**





## ATTENTION / HOW TO / READ ME / OWNER'S GUIDE

1. When mounting on a regular drywall, furniture must be fastened to wood or metal studs. Solid walls made of brick, concrete or similar strong material are also acceptable. Do not mount furniture to paper-mache or sheetrock (plasterboard) like material without properly fixing to stud.

2. For safety and product longevity you must periodically inspect the mounting and mechanical connections for integrity and tightness. Confirm hardware remains properly affixed and connections snug.

3. Wall Bed mattress thickness may not exceed 8 inches (200mm). Take care to remove pillows and excess blankets before closing. Doing so keeps mechanism free of obstruction and unnecessary stress.

4. Do not lean or rest heavy objects on side or top of furniture. This may cause balance issues and compromise the integrity of your mounting connections.

5. Please use the furniture's beds, desks and shelving as intended. Not designed to be sat, stood, leaned, jumped (etc) on. Improper use may cause personal injury and damage to property.

6. With seasonal humidity change you must inspect interior and exterior of furniture.

7. Single bed models are suitable for the weight of one person. Sleeping by more than one person will cause damage of the product.

8. Before any un-mounting or disassembly please contact Multimo for technical support and instruction. Failure to properly detach risks injury to person and damage to property.

9. For Bunk Beds:

- a. Always use provided ladder when accessing top bunk.
- b. Be slow, careful and aware of surroundings when opening top bunk.
- c. Do not horseplay. Beds are to be slept on only.
- d. Some have legs that fully extend when open- be aware of where the leg is and will be.



**MULTiMO**

[www.multimo.com](http://www.multimo.com)