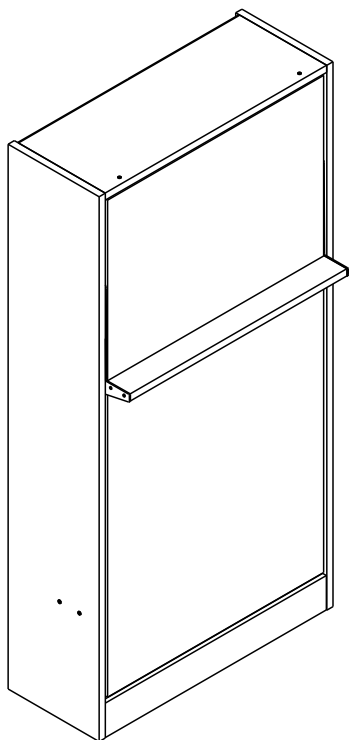




MULTIMO

223- ROYAL TWIN BED



55 min.



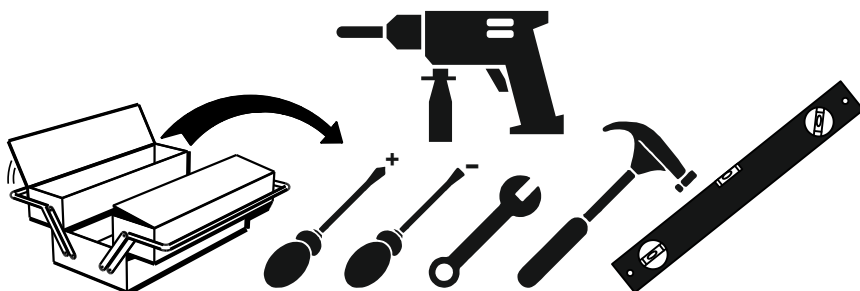
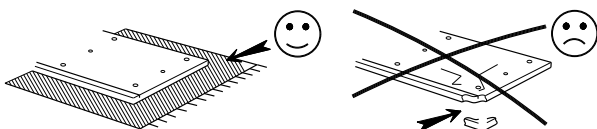
Technical Service



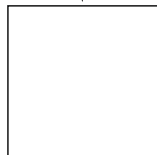
100 min.



End User



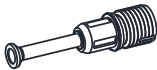

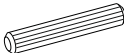


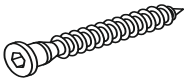

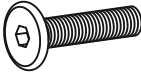
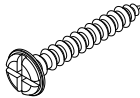
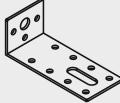
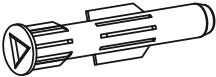
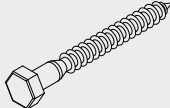


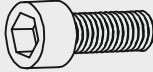


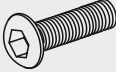

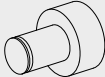


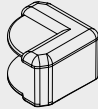
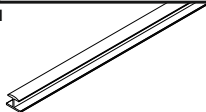
VIDEO

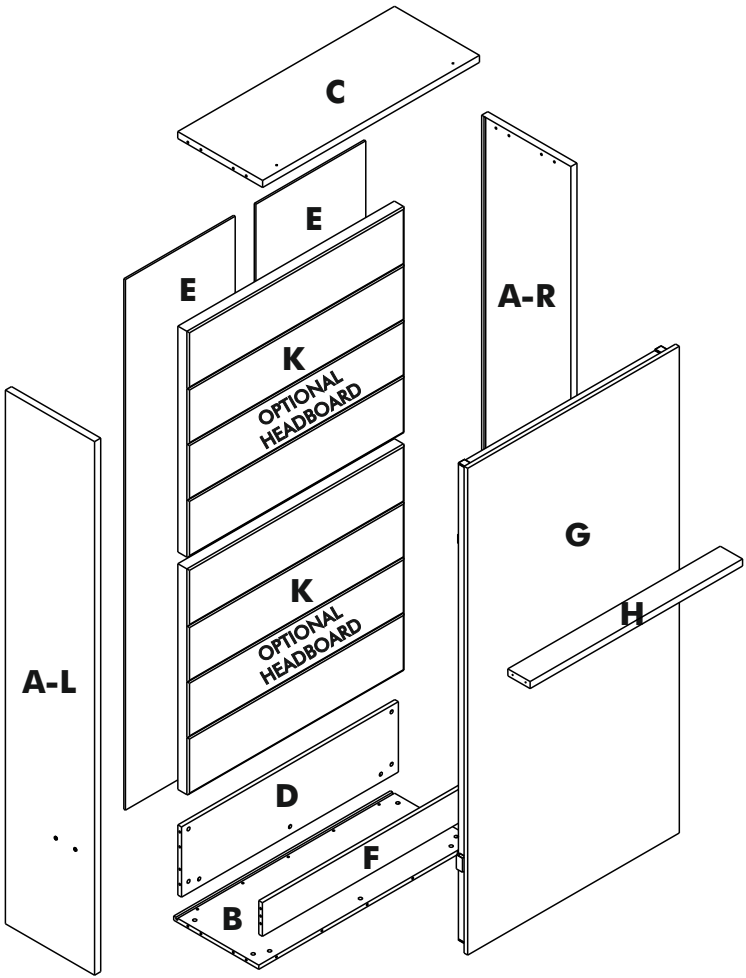


link

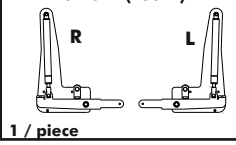
Track Title	Piece	(inch)			(mm)			
		Thickness	Length	Width	Piece	Thick	Height	Most
A	2	1,18	89,76	17,32	2	30	2280	440
B	1	0,71	42,13	16,54	1	18	1070	420
C	1	1,18	42,13	16,50	1	30	1070	419
D	1	0,71	42,13	11,81	1	18	1070	300
E	2	0,31	89,25	21,34	2	8	2267	542
F	1	0,71	42,13	5,67	1	18	1070	144
G	1	0,71	81,89	41,10	1	18	2080	1044
H	1	1,18	41,26	4,33	1	30	1048	110
K (OPTIONAL HEADBOARD)	2	1,97	37,87	41,93	2	50	962	1065

Accessories List

MNX 02  22 / piece	MNG - 01  22 / piece	KVL 01  18 / piece	TAP - 01  22 / piece
TAP - 02  4 / piece	VDA - 01 (6,5x50) mm  4 / piece	OT-054  2 / piece	CT - 01 (6x40) mm  2 / piece
VD - 02 (3,5x25) mm  22 / piece	DSE - 01 (40x90x32) mm  2 / piece	DD - 01 (R10)  2 / piece	TFC - 01(8x70) mm  2 / piece
PL - 02 (8x22x1) mm  2 / piece	VTB - 01 (4,8x16) mm  8 / piece	IM - 01 (6x30) mm  4 / piece	AVT - 01  6 / piece
SG - 01  2 / piece	CTM - 05 (8x45) mm  2 / piece	PL - 05 (8x16x2) mm  2 / piece	OT-056PE  2 / piece
OT-056D  2 / piece	VTB - 02 (4,2x16) mm  6 / piece	KKS - 01  2 / piece	H 01  1 / piece

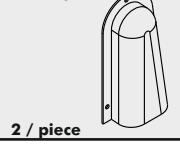


MKZ-10-70 M (950 N)



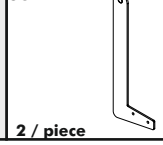
1 / piece

KMT - 02



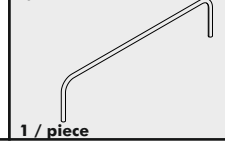
2 / piece

SC - 92



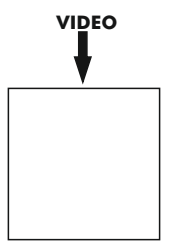
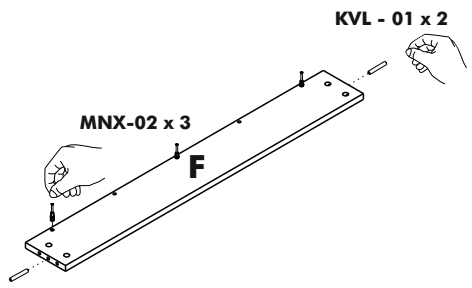
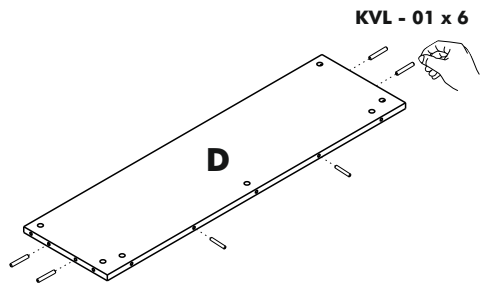
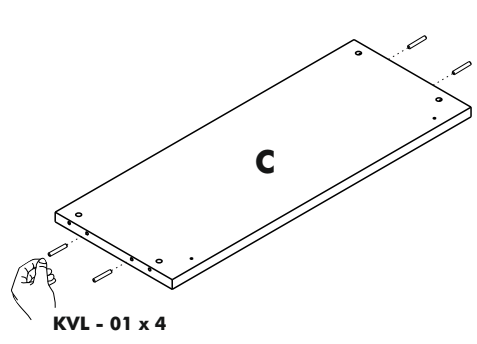
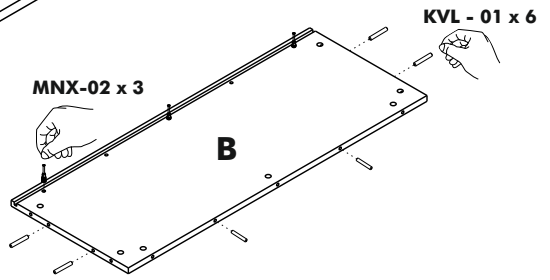
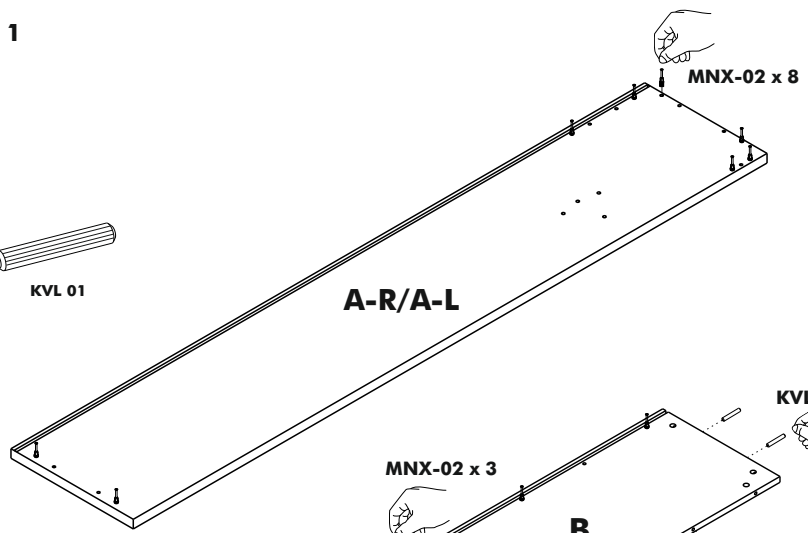
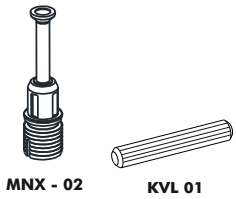
2 / piece

KOR

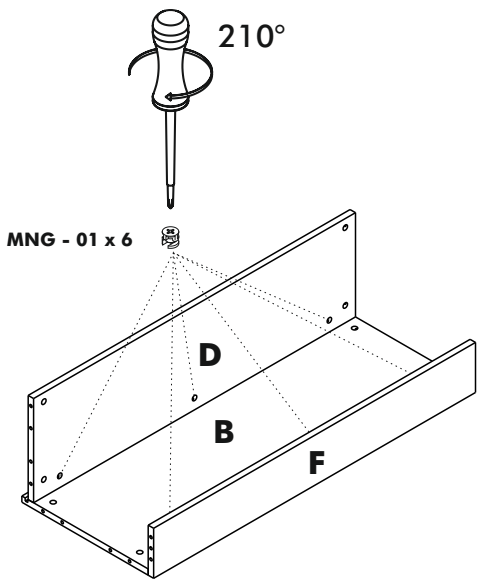


1 / piece

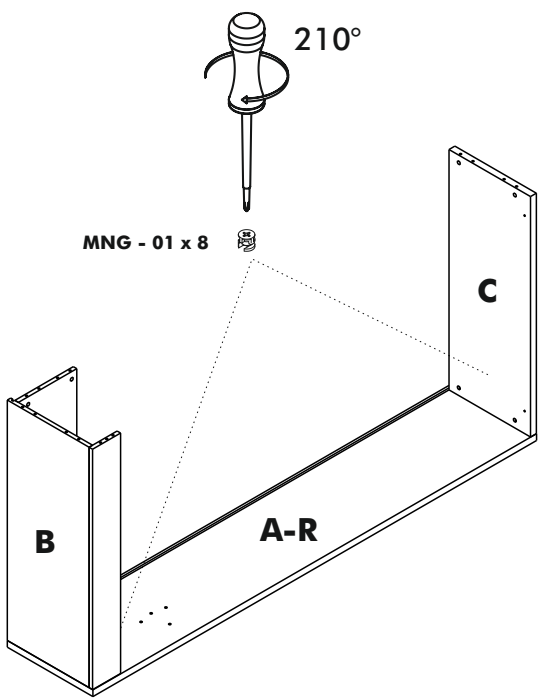
STEP 1



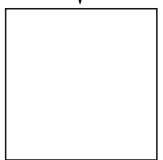
STEP 2



STEP 3

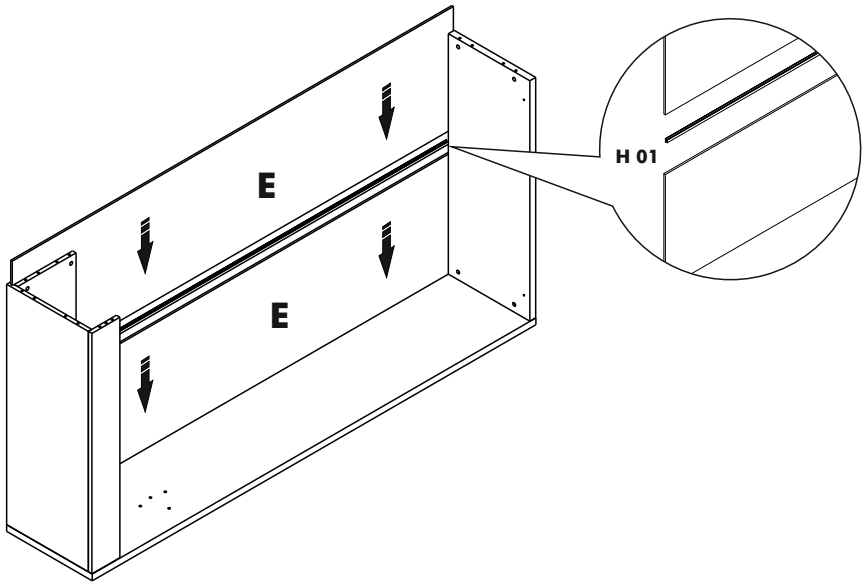


VIDEO

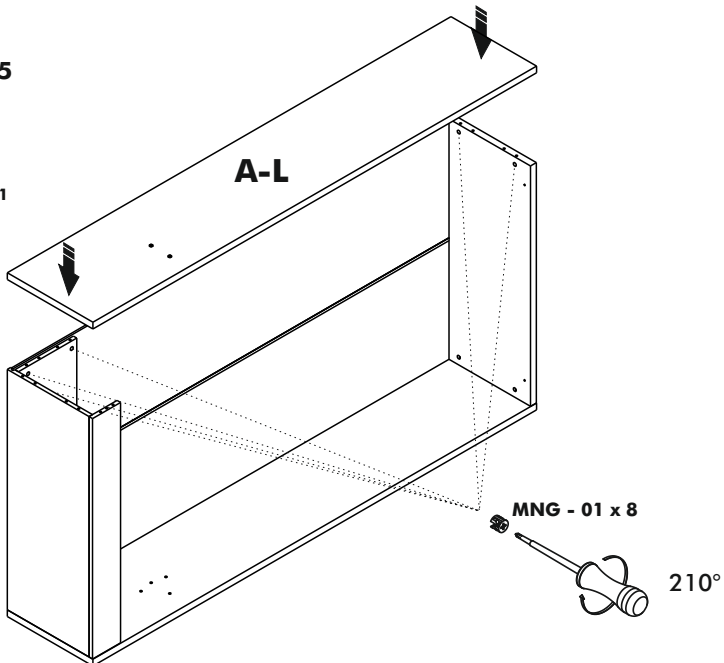


link

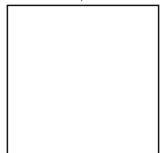
STEP 4



STEP 5

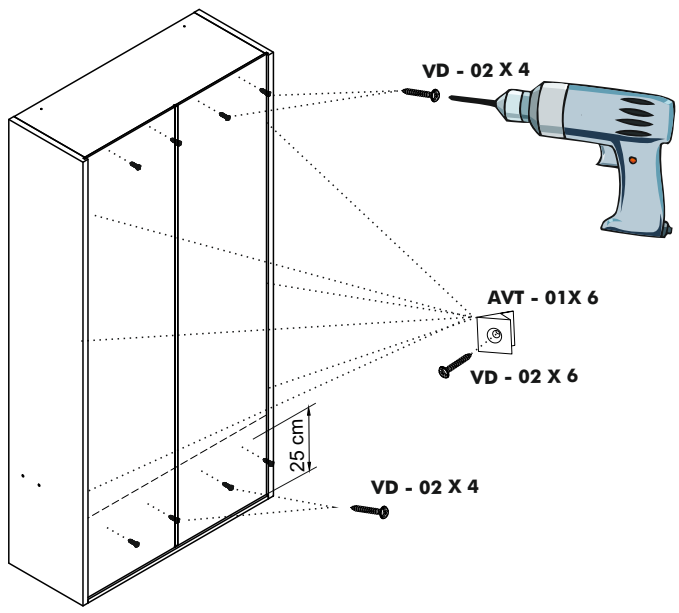


VIDEO



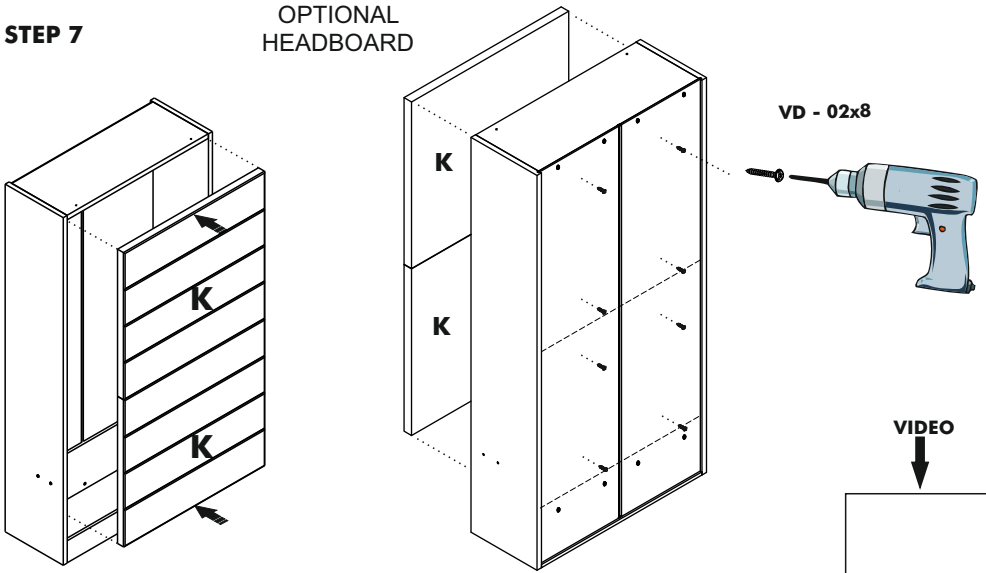
link

STEP 6



STEP 7

OPTIONAL
HEADBOARD

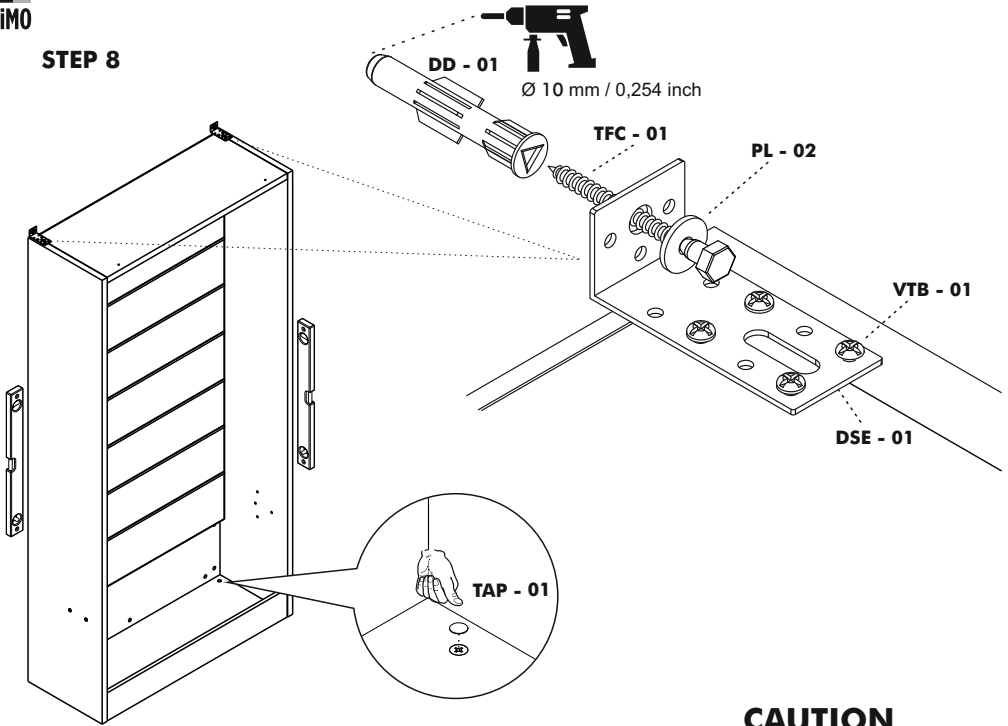


VIDEO



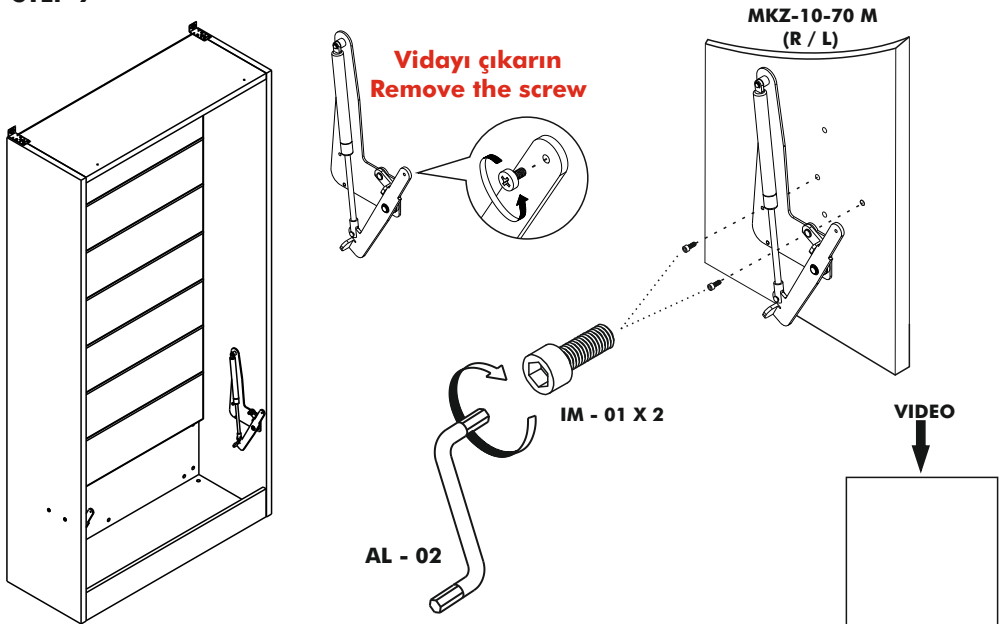
link

STEP 8

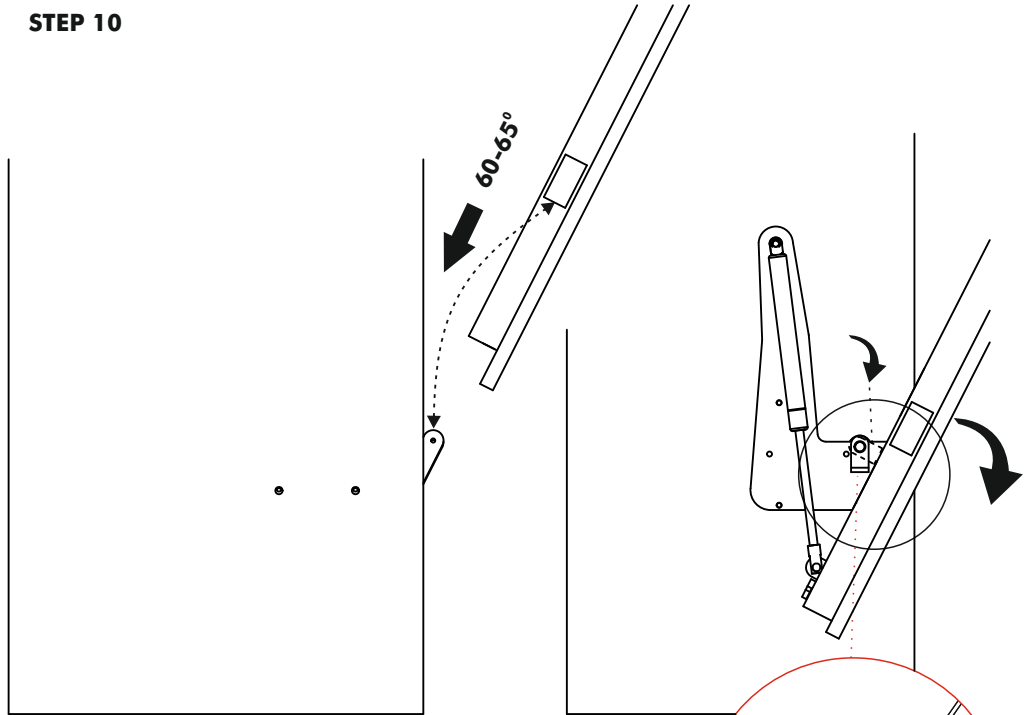


CAUTION
DO NOT UNLOCK BEFORE INSTALL

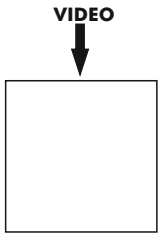
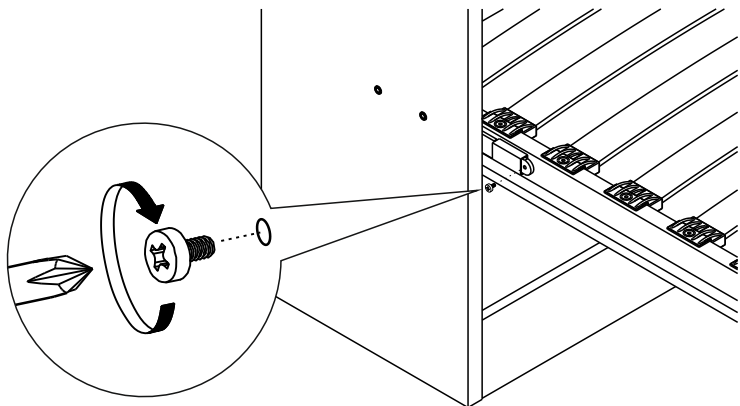
STEP 9



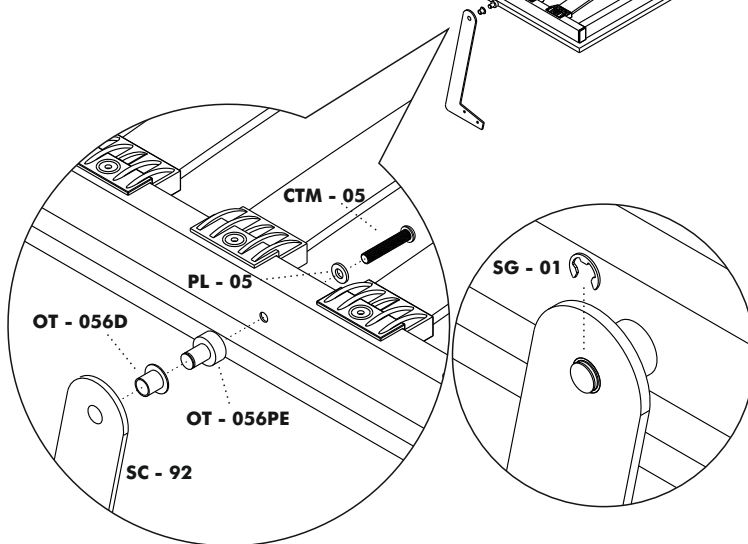
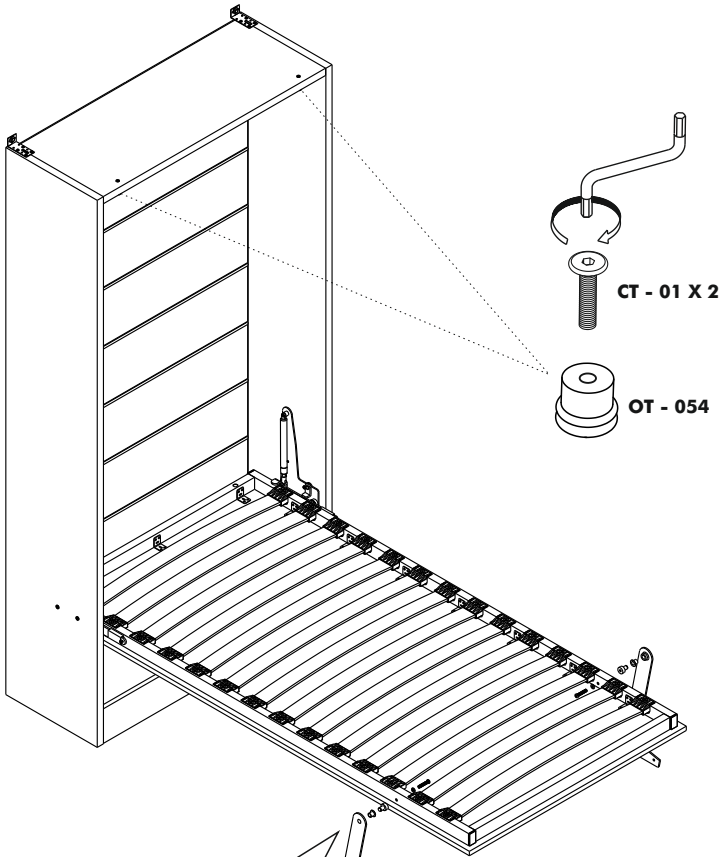
STEP 10



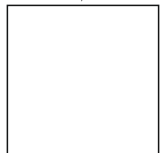
KAPAK KAPATILMADAN KİLİDİ İNDİRİN !!!
LET THE MECHANISM LOCK MOVE DOWN,
BEFORE CLOSING THE FRONT PANEL !!!



STEP 11

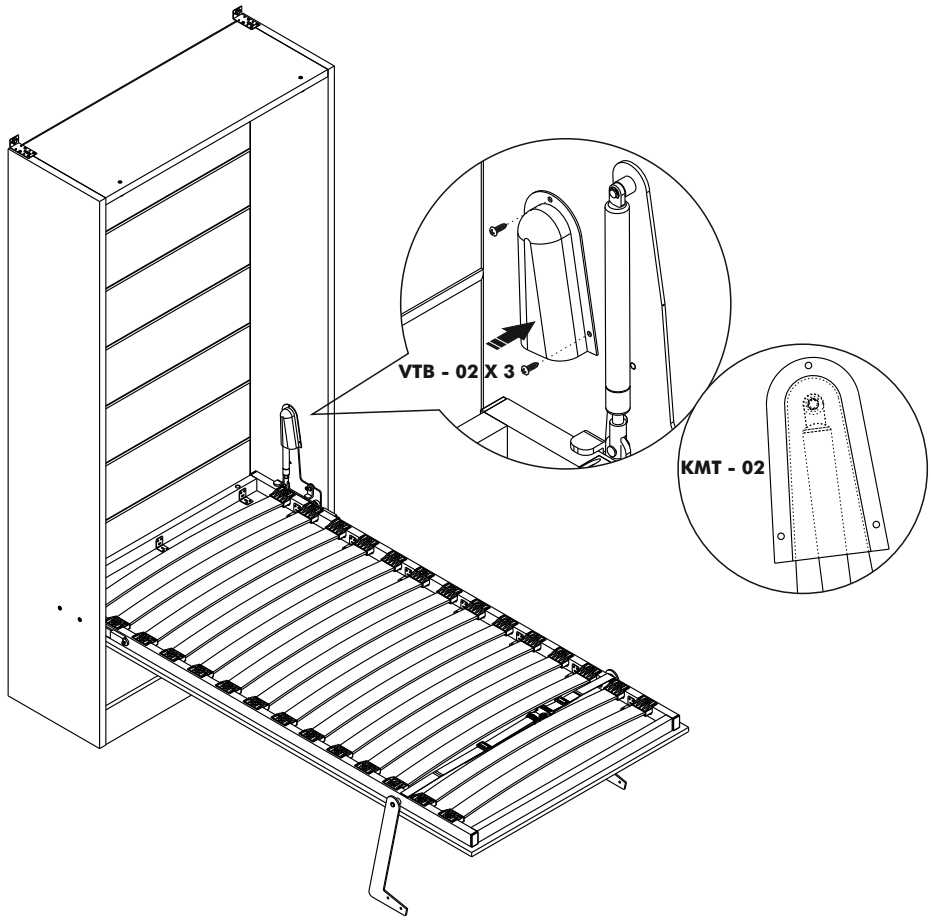


VIDEO

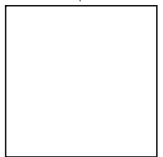


link

STEP 12

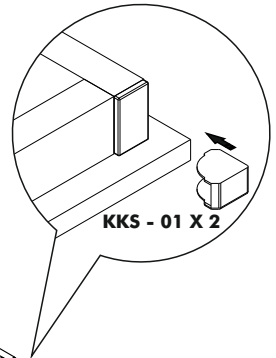
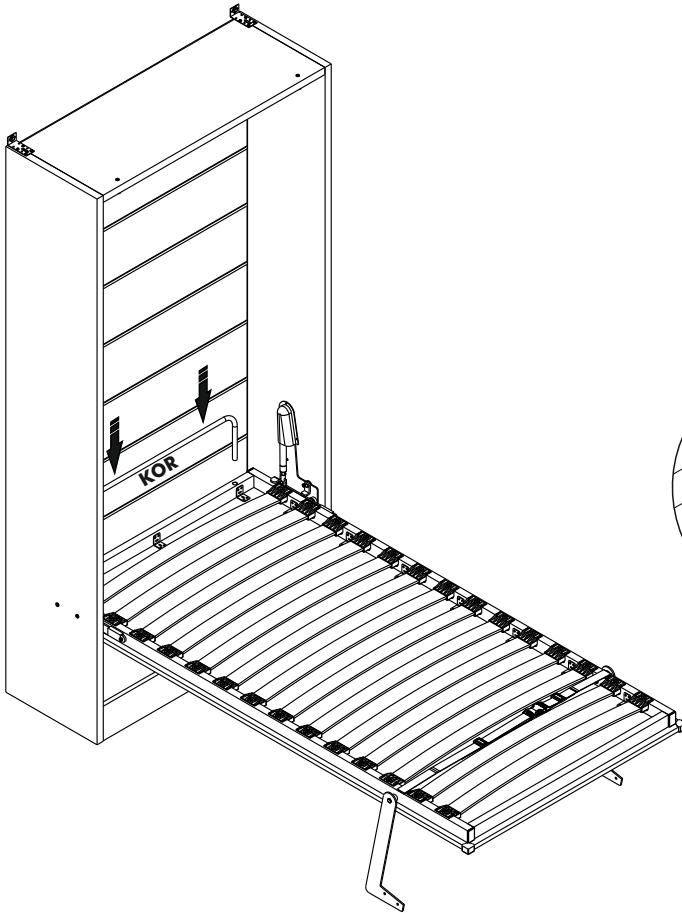


VIDEO

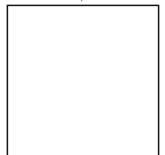


link

STEP 13

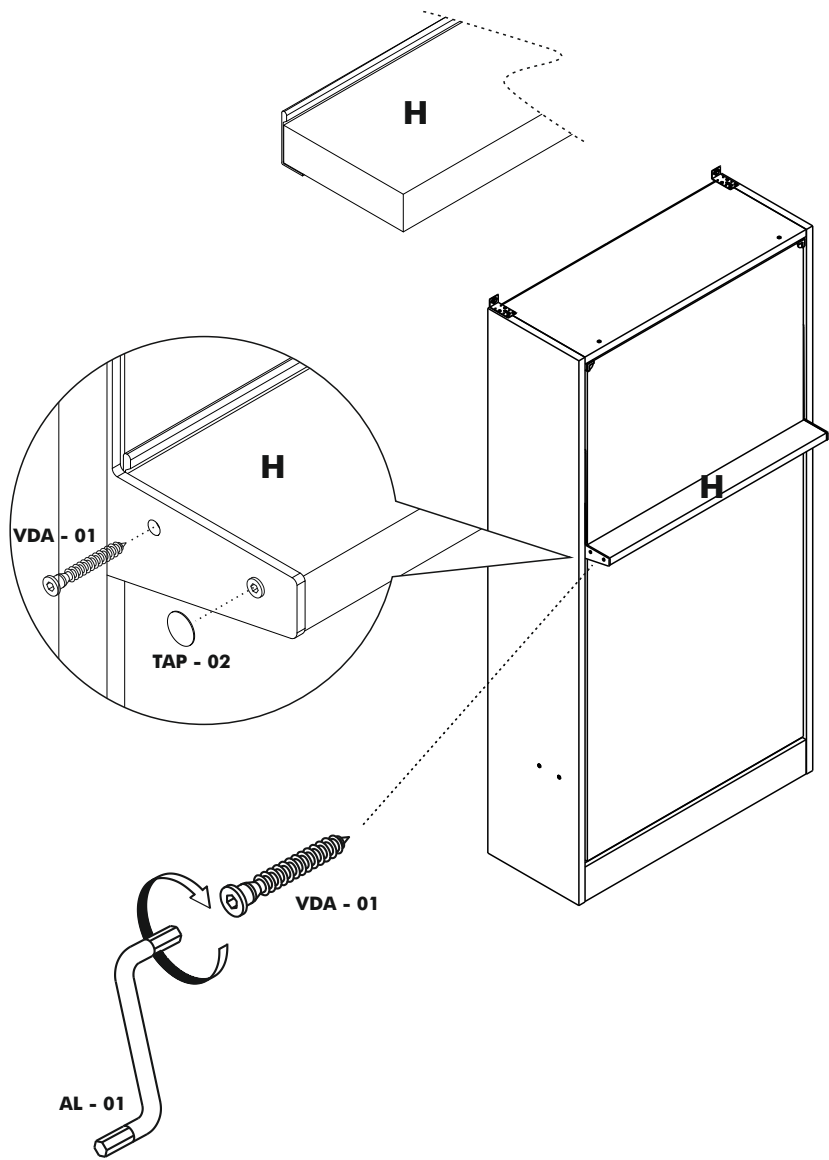


VIDEO

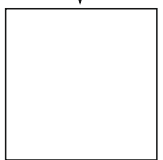


link

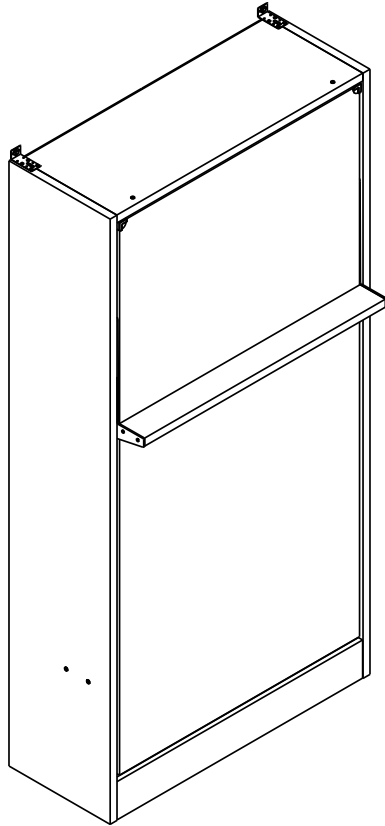
STEP 14



VIDEO



link



ATTENTION / HOW TO / READ ME / OWNER'S GUIDE

1. When mounting on a regular drywall, furniture must be fastened to wood or metal studs. Solid walls made of brick, concrete or similar strong material are also acceptable. Do not mount furniture to paper-mache or sheetrock (plasterboard) like material without properly fixing to stud.

2. For safety and product longevity you must periodically inspect the mounting and mechanical connections for integrity and tightness. Confirm hardware remains properly affixed and connections snug.

3. Wall Bed mattress thickness may not exceed 8 inches (200mm). Take care to remove pillows and excess blankets before closing. Doing so keeps mechanism free of obstruction and unnecessary stress.

4. Do not lean or rest heavy objects on side or top of furniture. This may cause balance issues and compromise the integrity of your mounting connections.

5. Please use the furniture's beds, desks and shelving as intended. Not designed to be sat, stood, leaned, jumped (etc) on. Improper use may cause personal injury and damage to property.

6. With seasonal humidity change you must inspect interior and exterior of furniture.

7. Single bed models are suitable for the weight of one person. Sleeping by more than one person will cause damage of the product.

8. Before any un-mounting or disassembly please contact Multimo for technical support and instruction. Failure to properly detach risks injury to person and damage to property.

9. For Bunk Beds:

- a. Always use provided ladder when accessing top bunk.
- b. Be slow, careful and aware of surroundings when opening top bunk.
- c. Do not horseplay. Beds are to be slept on only.
- d. Some have legs that fully extend when open- be aware of where the leg is and will be.



MULTiMO

www.multimo.com