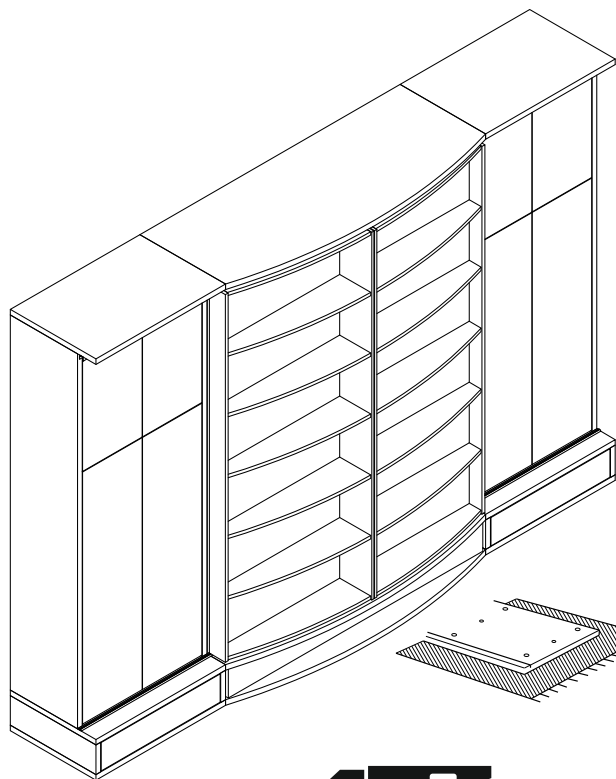




MULTIMO

151-2 SUIT BED



110 min.



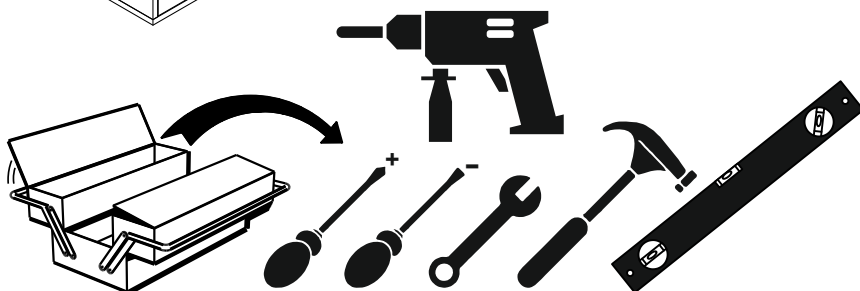
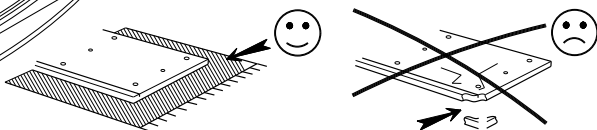
Technical Service



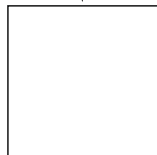
130 min.



End User



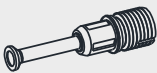


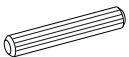
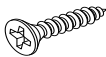


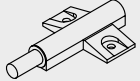
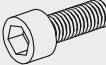
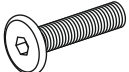

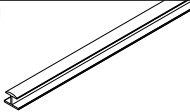
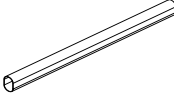

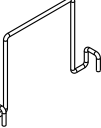
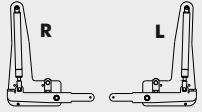
VIDEO

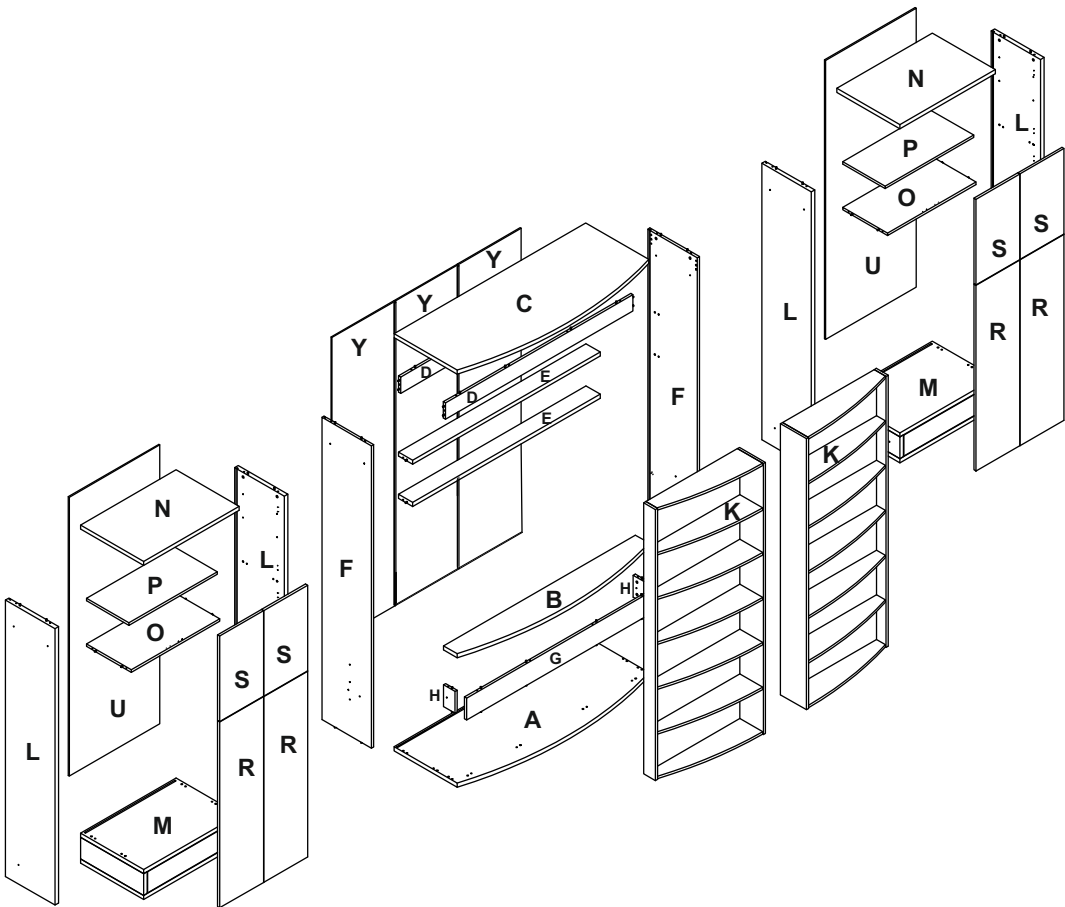


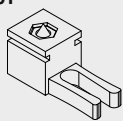
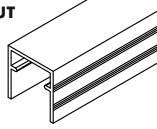
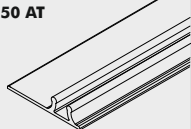
link

Track Title	Piece	(inch)			(mm)			
		Thickness	Length	Width	Piece	Thick	Height	Most
A	1	1,18	58,90	25,79	1	30	1496	655
B	1	1,18	58,90	9,25	1	30	1496	235
C	1	1,18	58,90	25,79	1	30	1496	655
D	2	0,71	57,48	4,72	2	18	1460	120
E	2	1,18	57,48	3,94	2	30	1460	100
F	2	0,71	87,40	16,54	2	18	2220	420
G	1	0,71	58,90	6,30	1	18	1496	160
H	2	0,71	6,30	3,78	2	18	160	96
K	2	8,66	78,35	29,33	2	220	1990	745
L	4	1,18	79,92	16,54	4	30	2030	420
M	2	8,66	29,53	21,06	2	220	750	535
N	2	1,18	29,53	21,06	2	30	750	535
O	2	0,71	27,09	14,96	2	18	688	380
P	2	0,71	27,09	14,17	2	18	688	360
R	4	0,71	53,70	13,46	4	18	1364	342
S	4	0,71	24,61	13,46	4	18	625	342
U	2	0,31	80,59	27,80	2	8	2047	706
Y	3	0,31	88,03	19,33	3	8	2236	491

Accessories List

MX02  60 / piece VD - 03 (3,5x18) mm	MNG - 01  60/ piece VD - 02 (3,5x25) mm	TAP - 01  60 / piece TS - 03	KVL 01  64 / piece B5 - 01
 122 / piece IM - 02 (6x20) mm	 18 / piece CT - 03 (6x50) mm	 20 / piece PM - 01	 8 / piece H 01
 4 / piece BO - 01	 8 / piece AF - 01	 8 / piece TTC 02	 2 / piece MKZ-10-60 M (700 N)
 2 / piece	 4 / piece	 6 / piece	 1 / piece

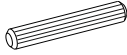


<p>STP - 01</p>  <p>4 / piece</p>	<p>ALB-M50 UT</p>  <p>2 / piece</p>	<p>ALB-M50 AT</p>  <p>2 / piece</p>
---	---	---

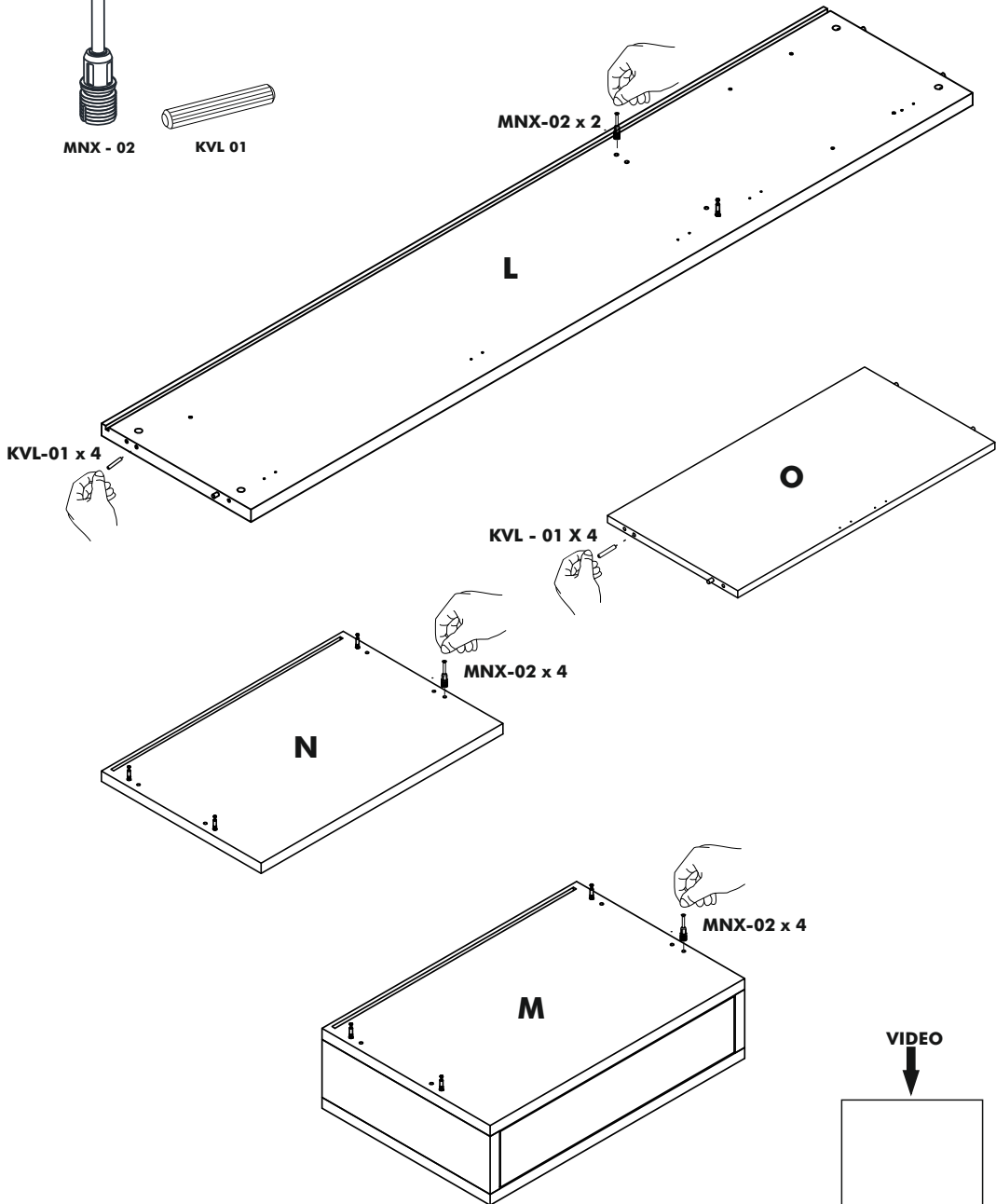
STEP 1



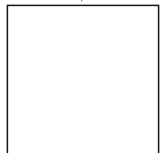
MNX - 02



KVL 01

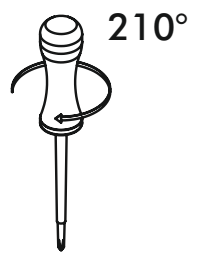
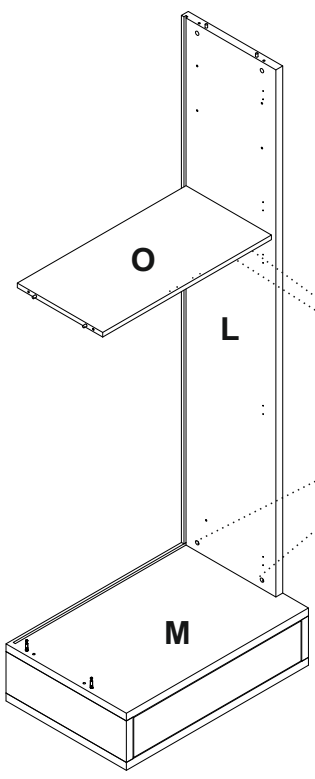


VIDEO

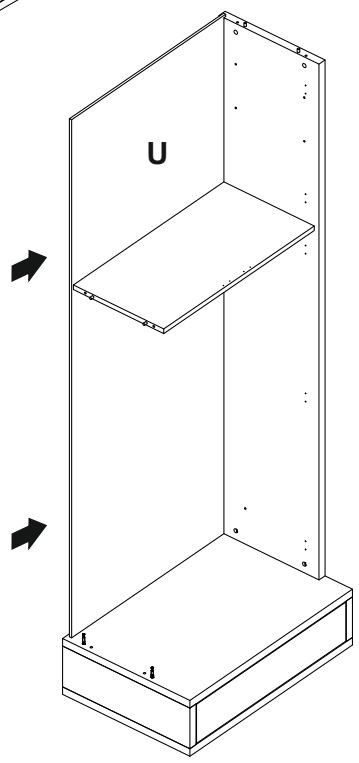


link

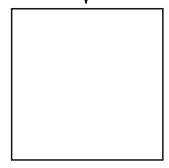
STEP 2



STEP 3

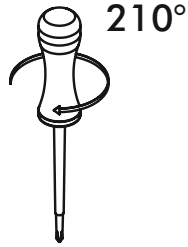
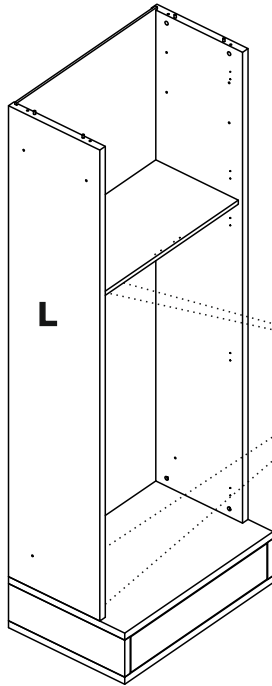


VIDEO

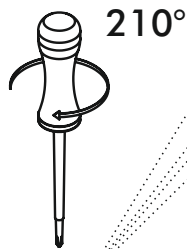


link

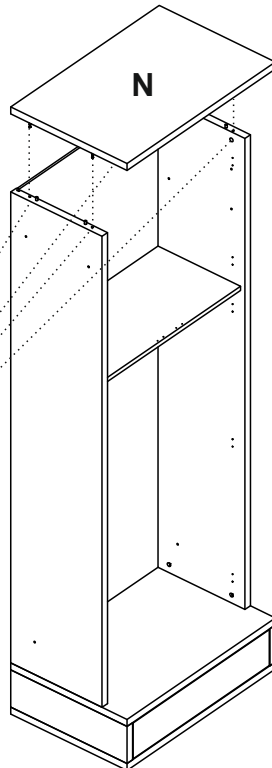
STEP 4



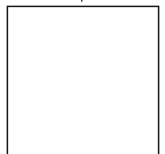
STEP 5



MNG - 01 x 4

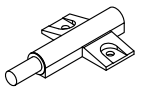


VIDEO

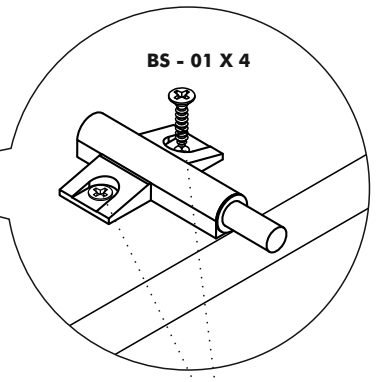
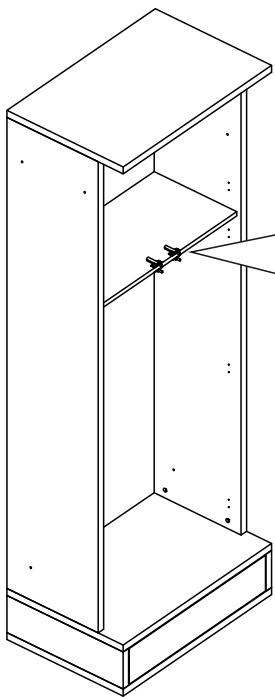


link

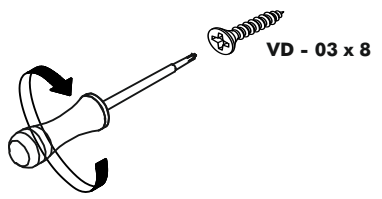
STEP 6



BS - 01

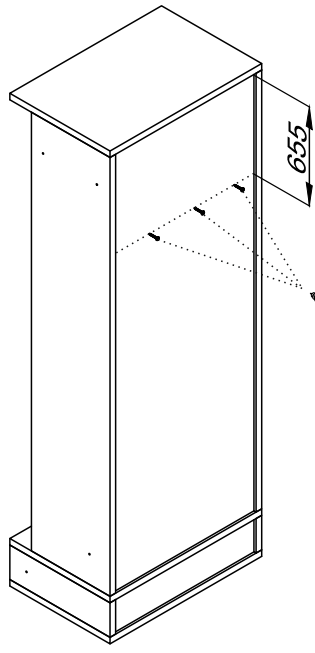


BS - 01 X 4



VD - 03 x 8

STEP 7

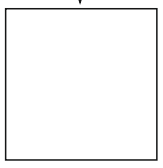


655

VD - 02 x 3



VIDEO

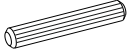


link

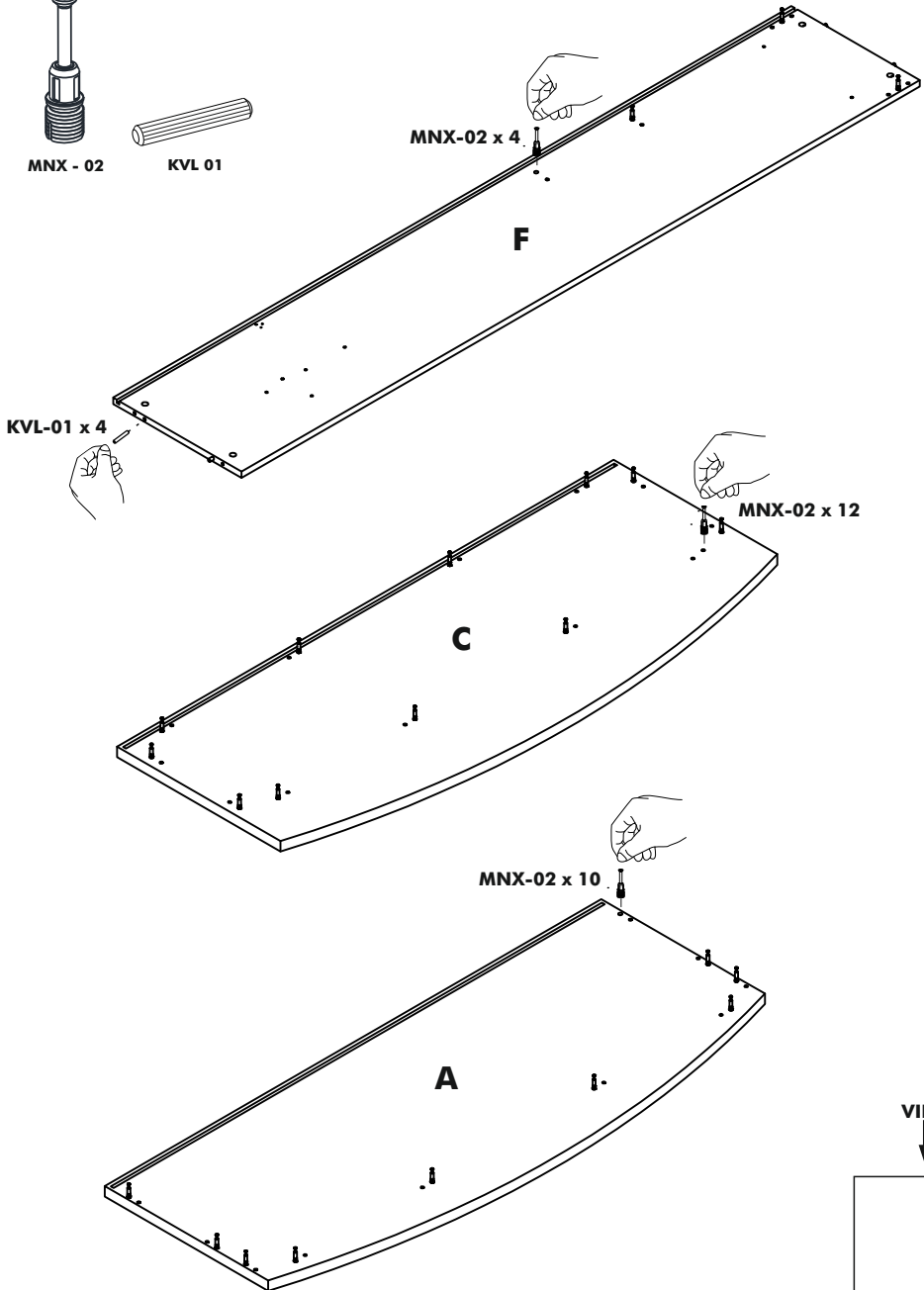
STEP 8



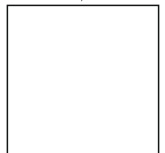
MNX - 02



KVL 01

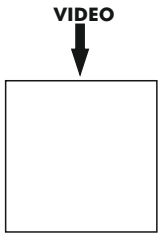
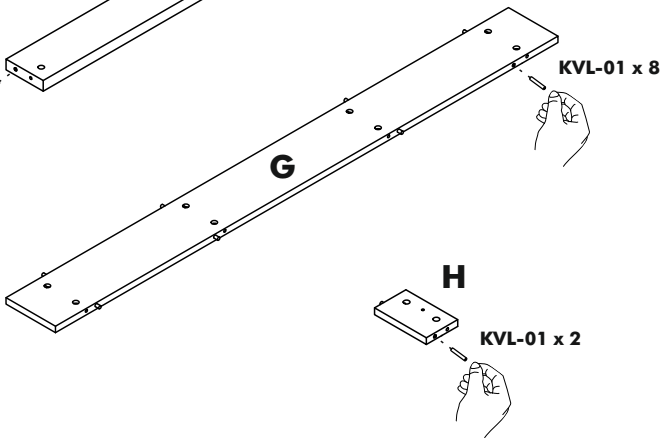
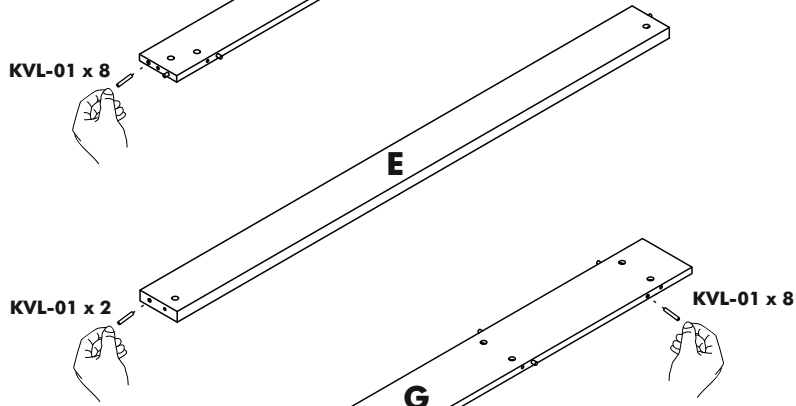
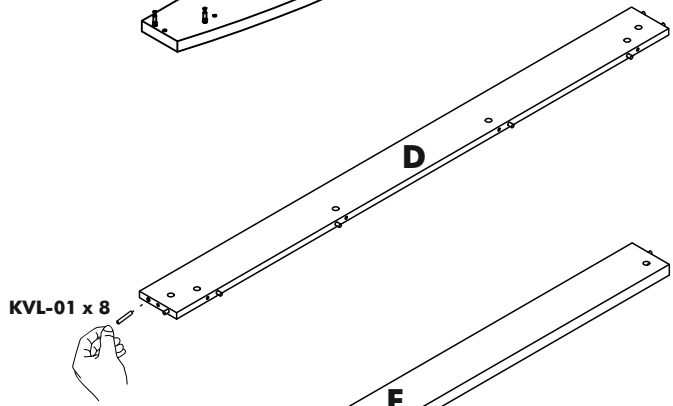
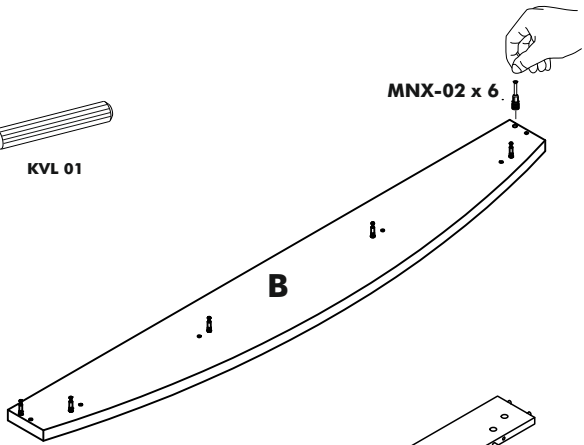
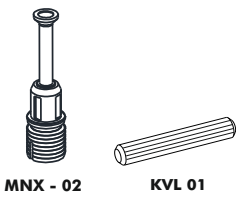


VIDEO

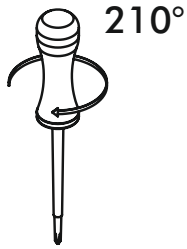


link

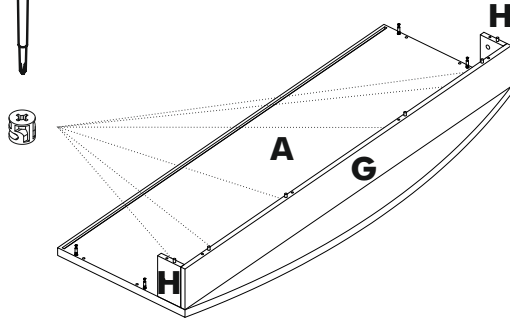
STEP 9



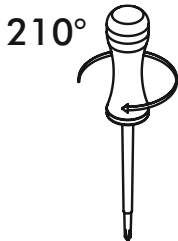
STEP 10



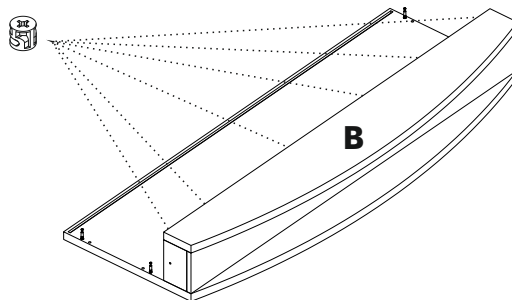
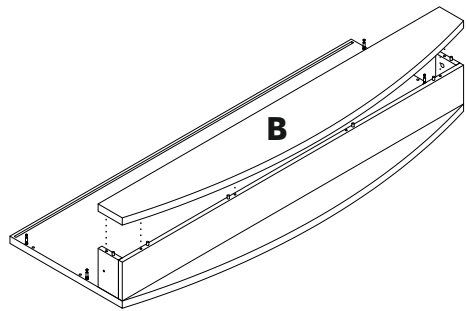
MNG - 01 x 6



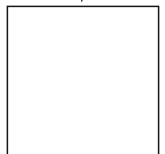
STEP 11



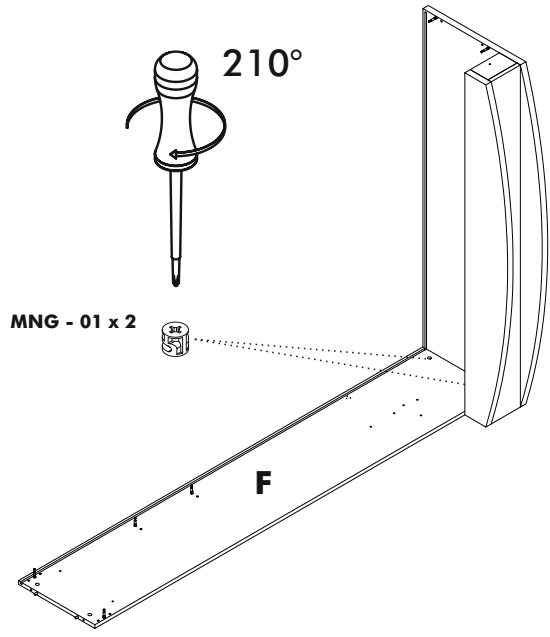
MNG - 01 x 6



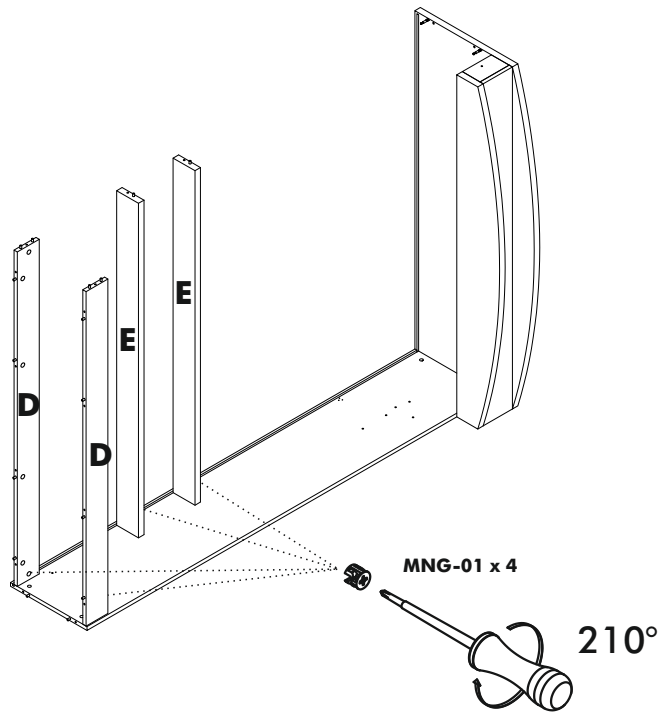
VIDEO



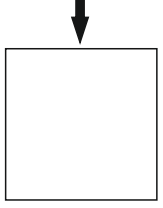
STEP 12



STEP 13

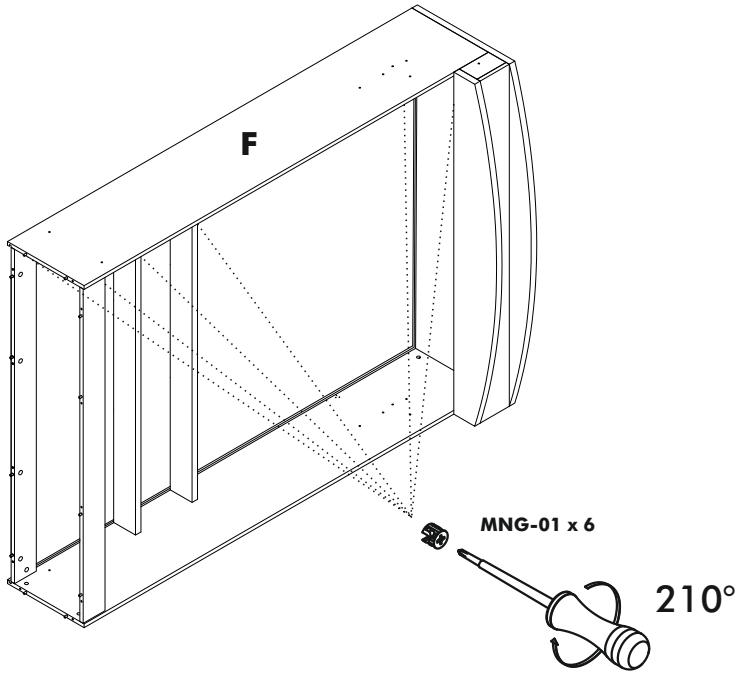


VIDEO

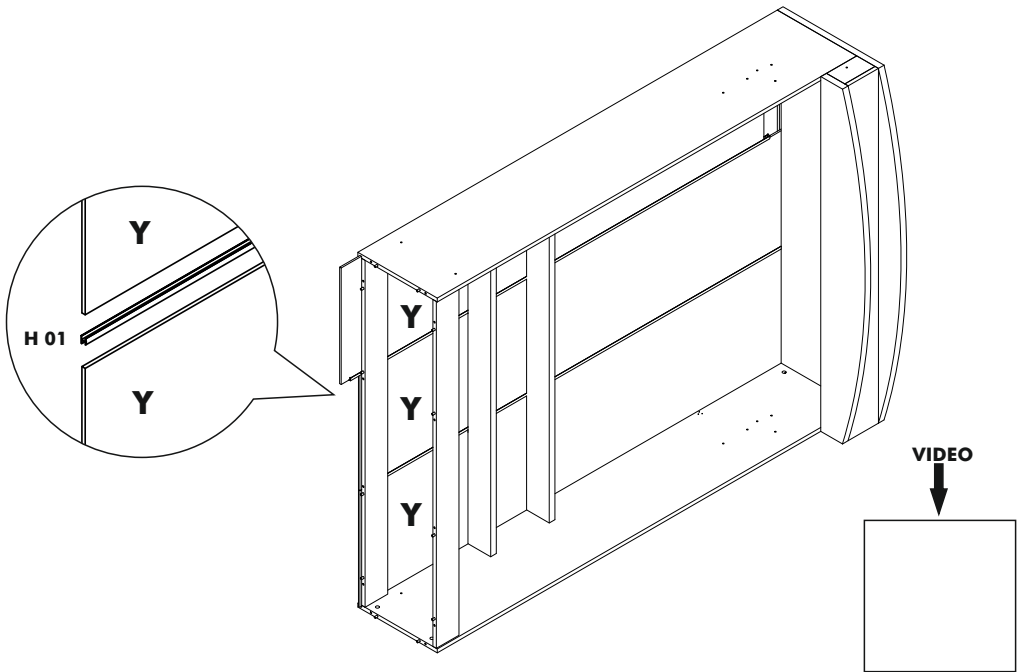


link

STEP 14



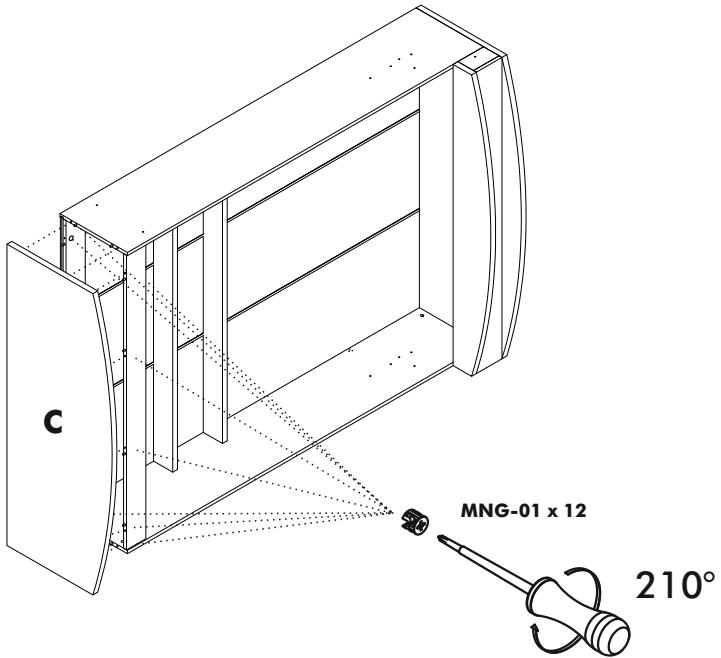
STEP 15



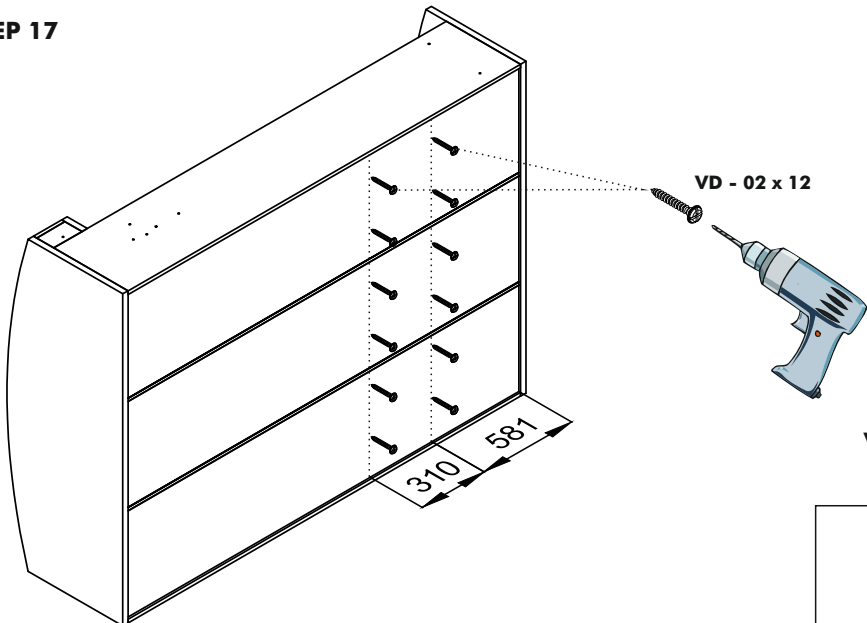
STEP 16



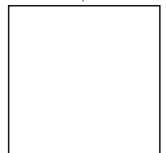
MNG - 01



STEP 17

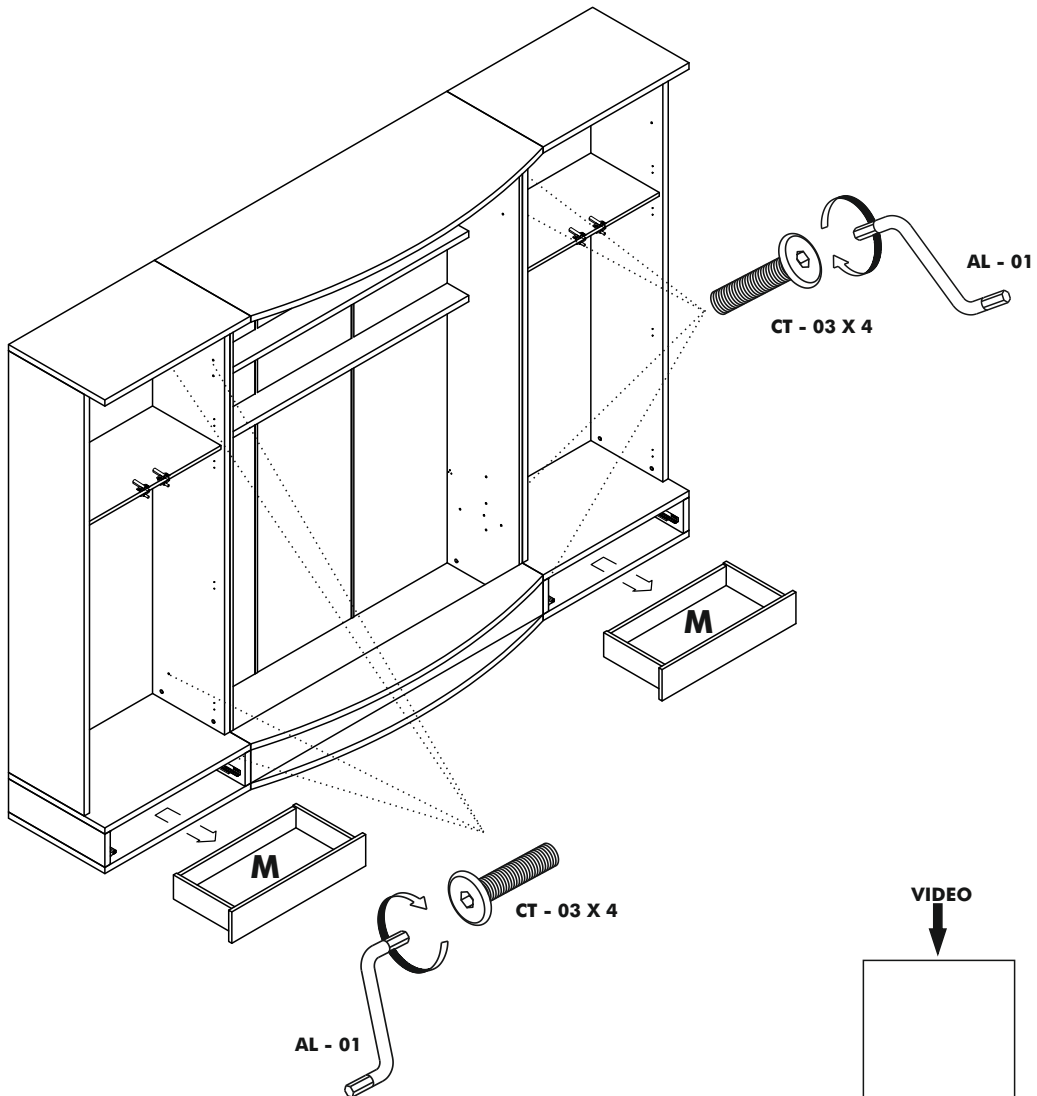
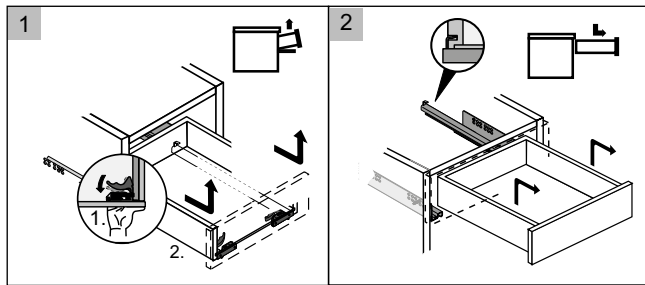


VIDEO

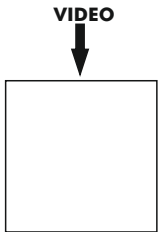
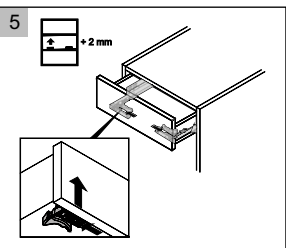
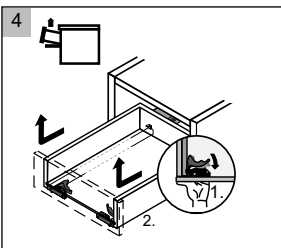
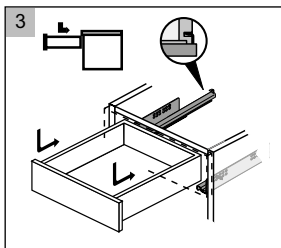
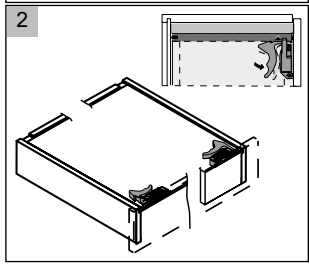
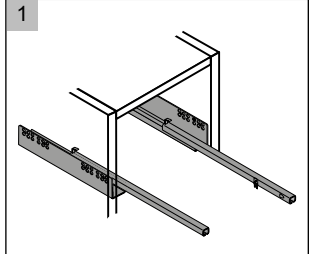
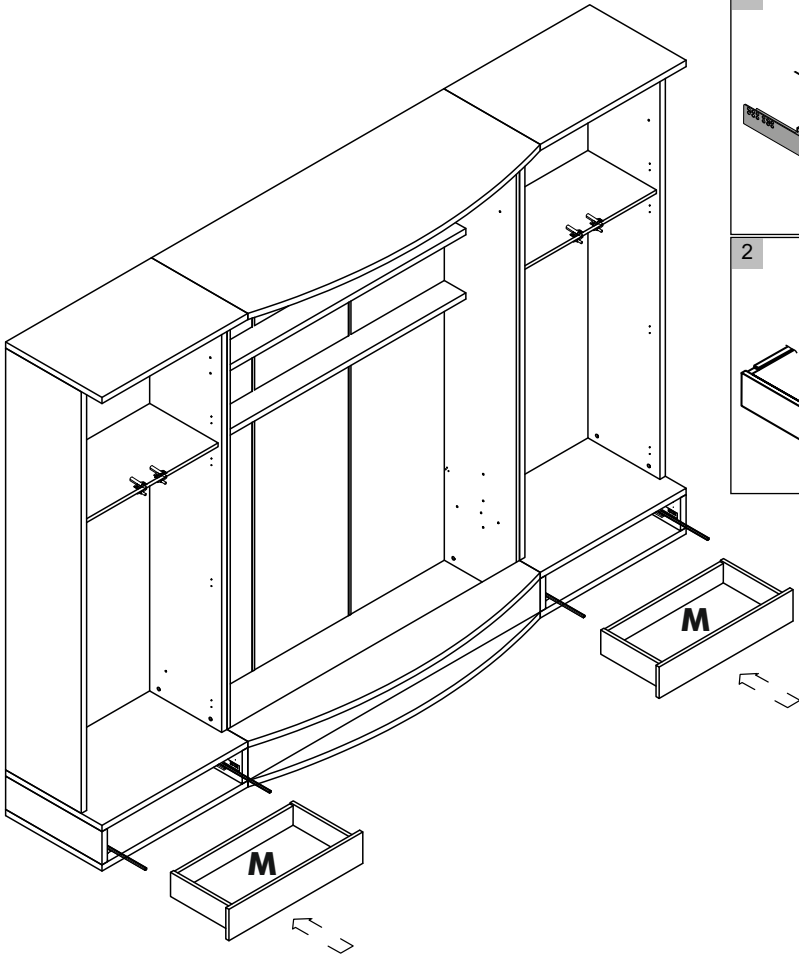


link

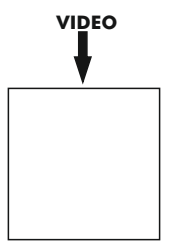
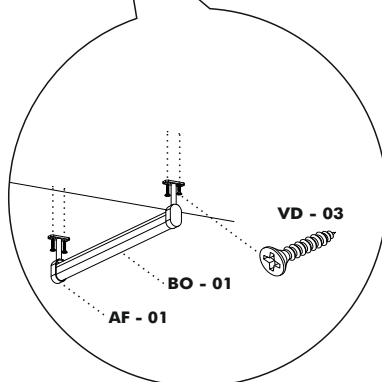
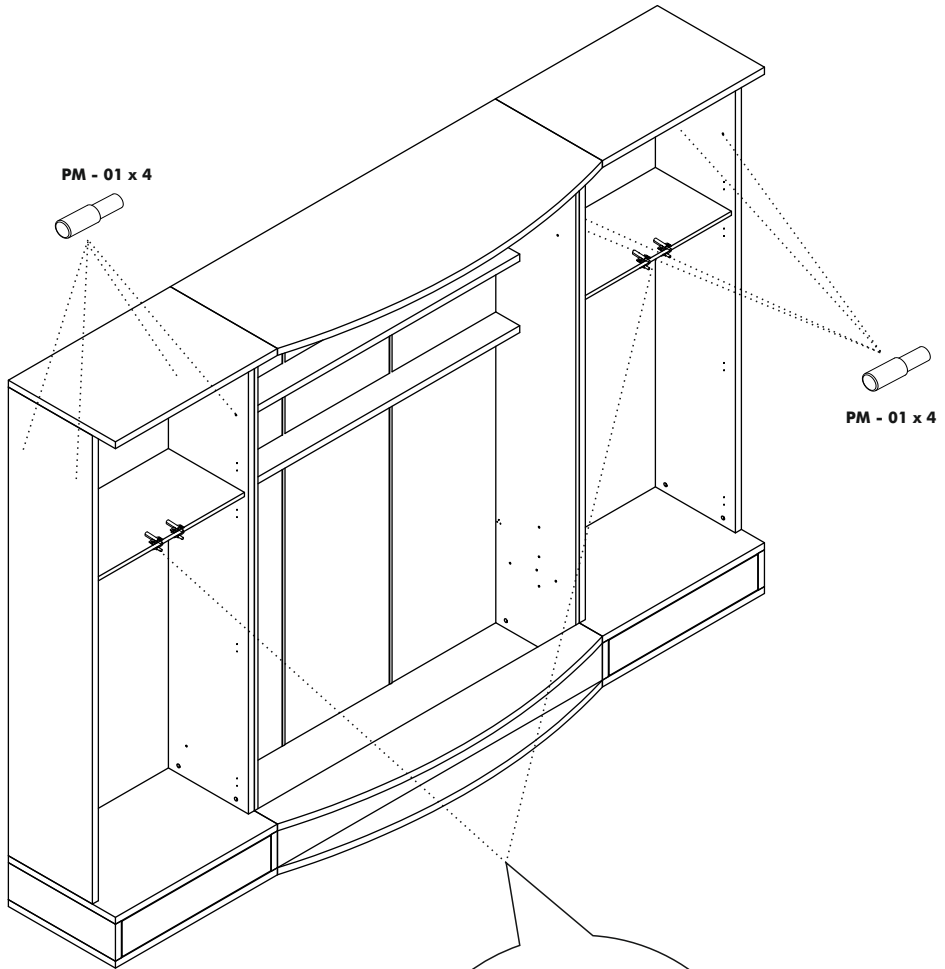
STEP 18



STEP 19

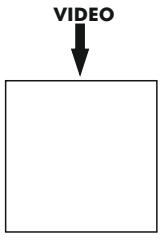
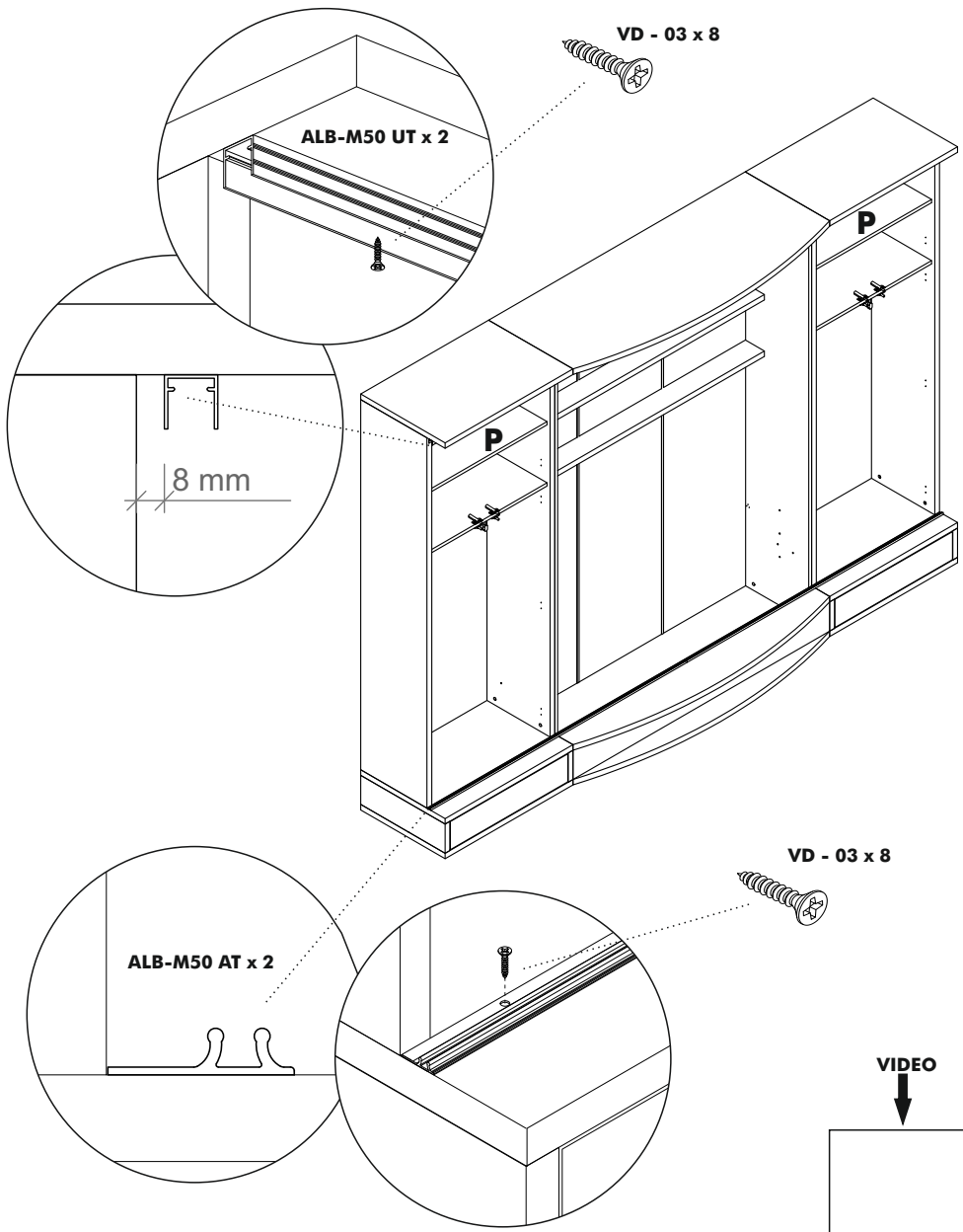


STEP 20

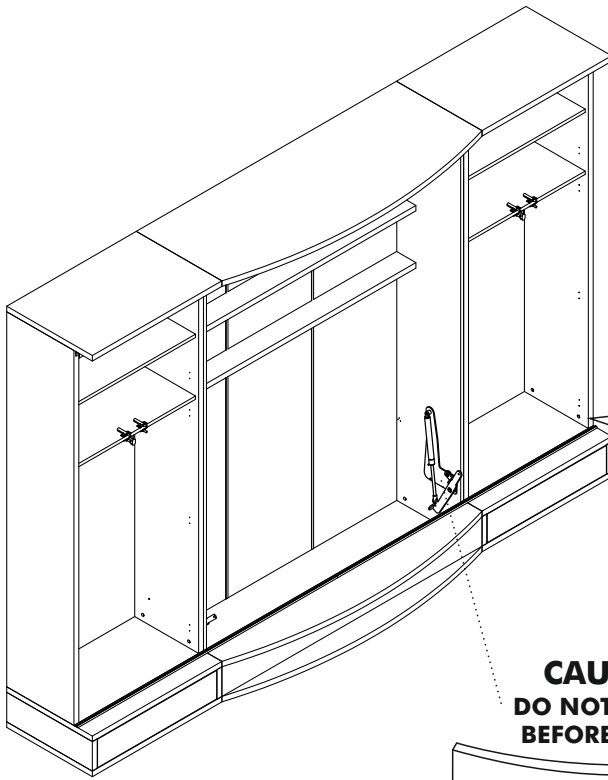


link

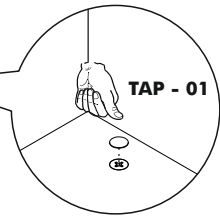
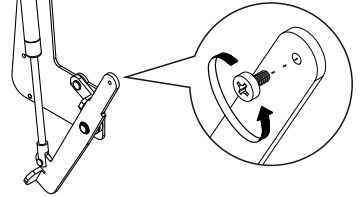
STEP 21



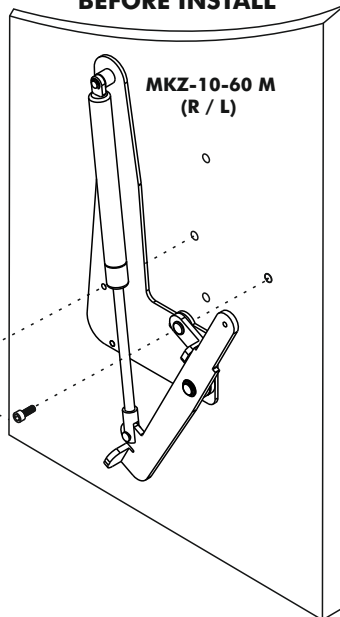
STEP 22



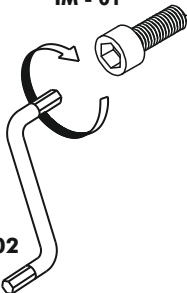
**Remove the screw
Vidayı çıkarın**



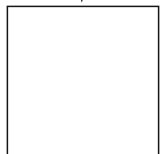
**CAUTION
DO NOT UNLOCK
BEFORE INSTALL**



IM - 01

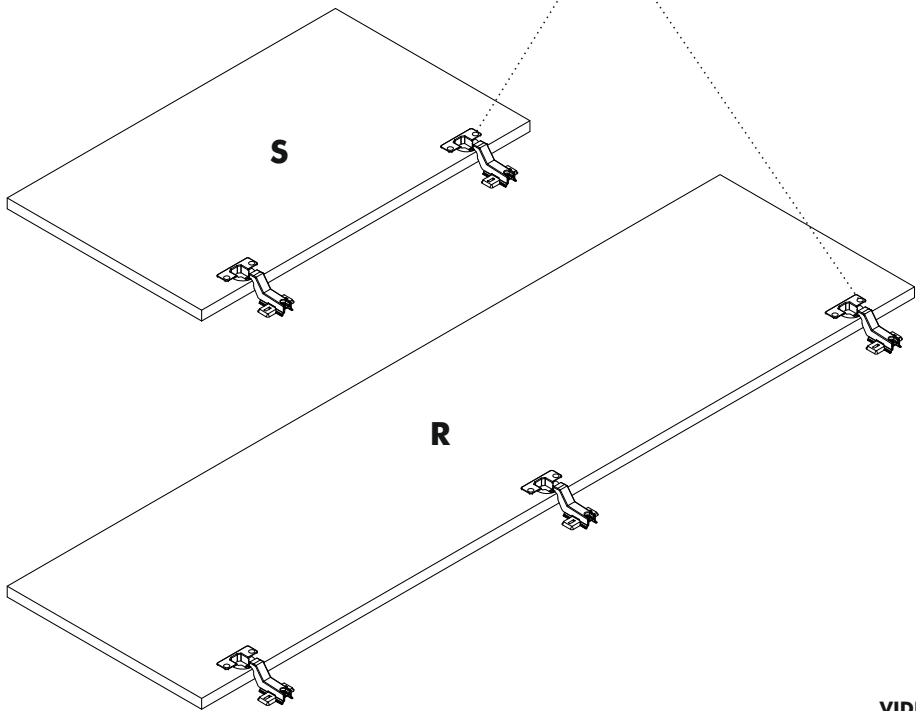
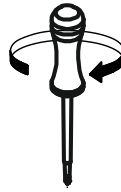
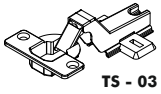


VIDEO

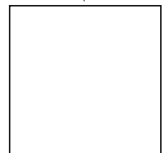


link

STEP 23



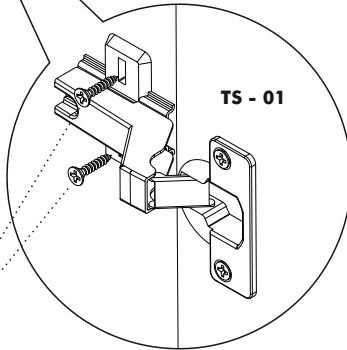
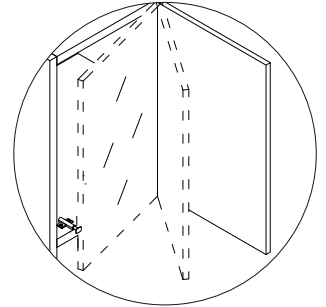
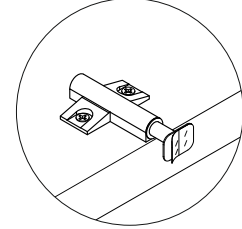
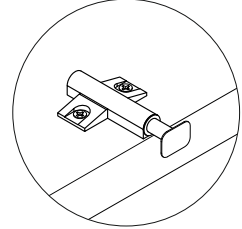
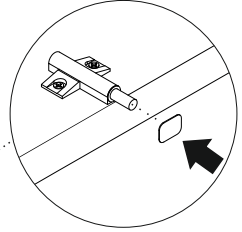
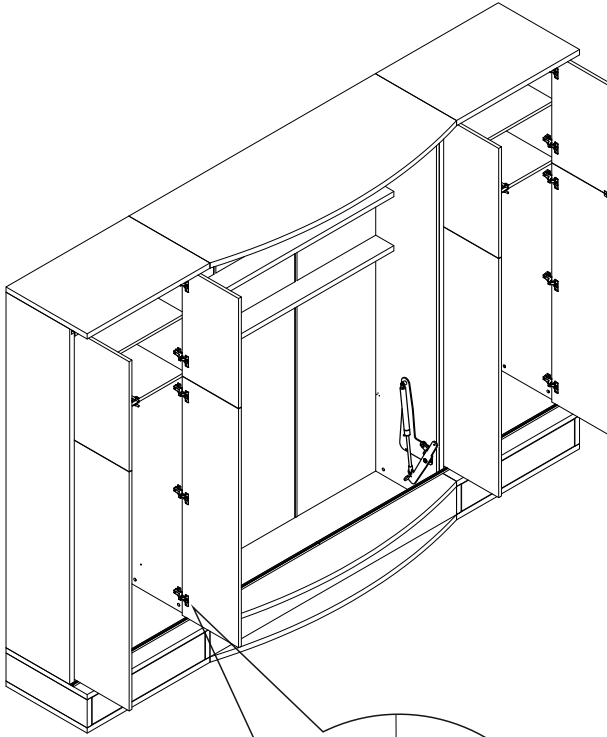
VIDEO



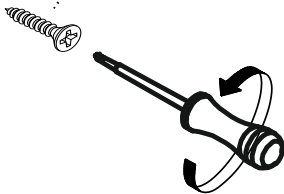
link

STEP 24

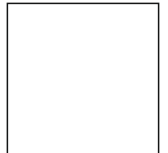
Yapıştırılmadan önce yüzeyin tozlu olmadığından emin olun.
Before sticking , make sure that the surface is not dusty.



VD - 03 x 2

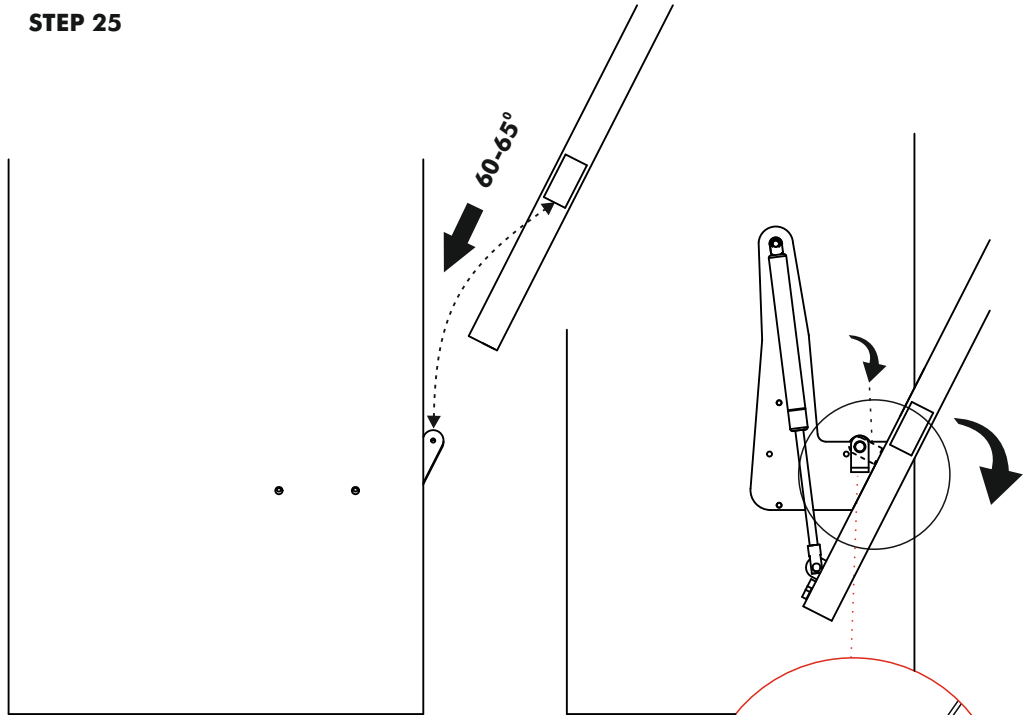


VIDEO

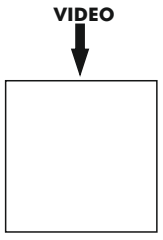
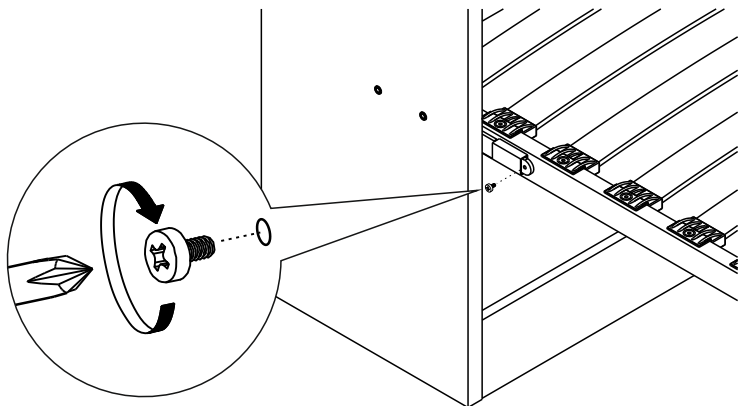
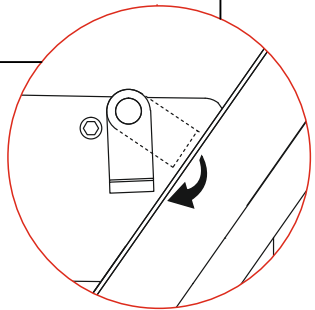


link

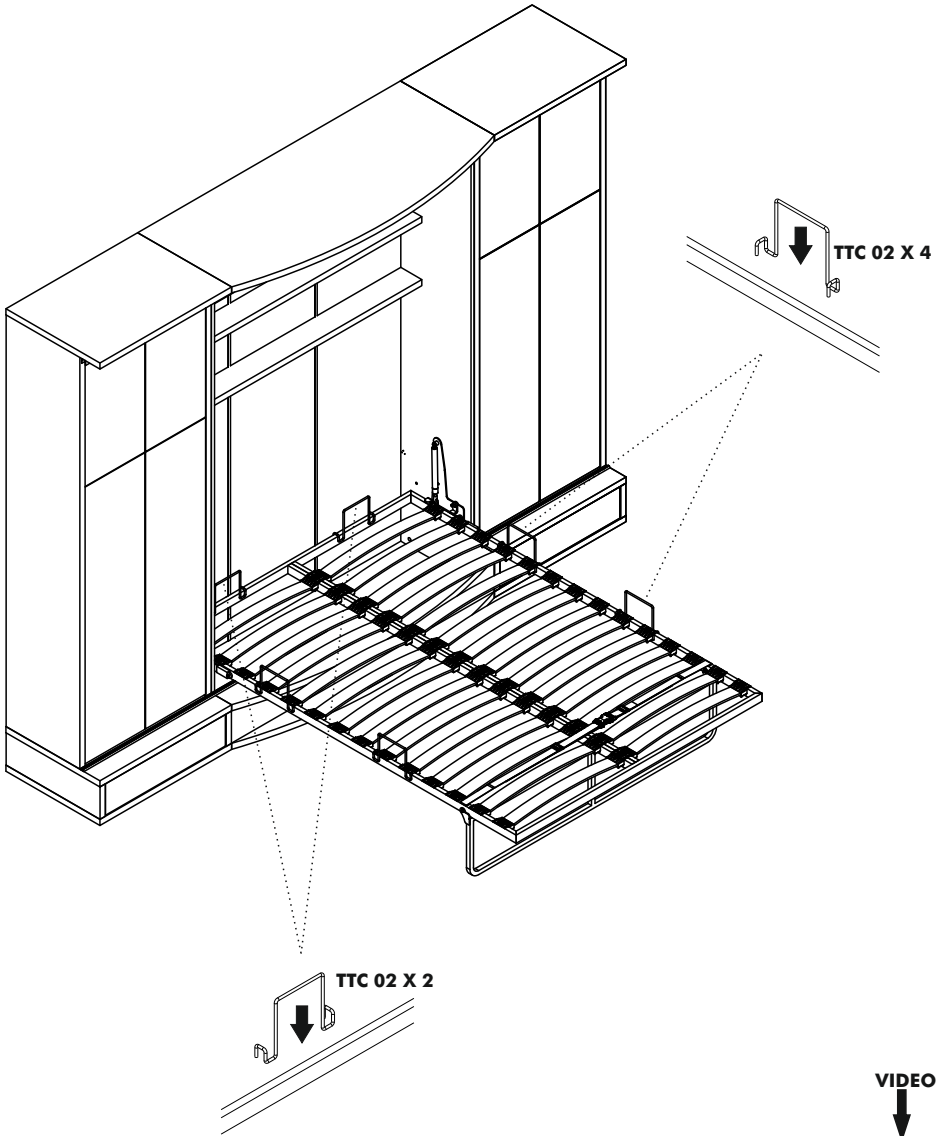
STEP 25



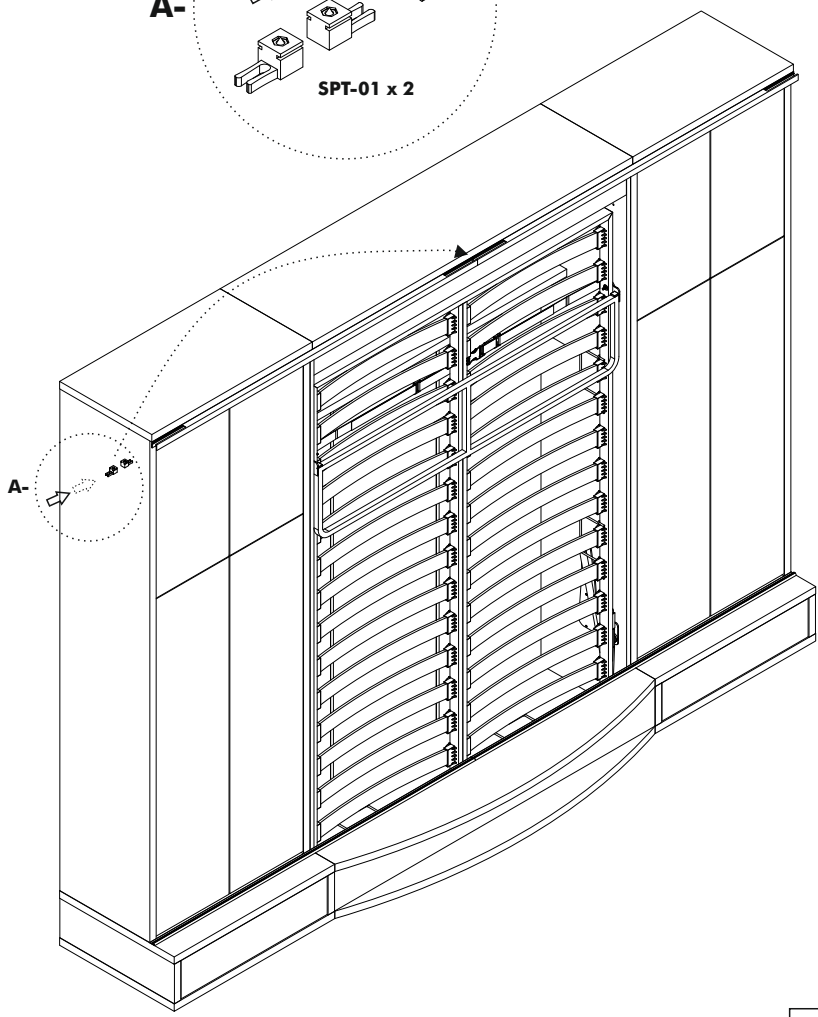
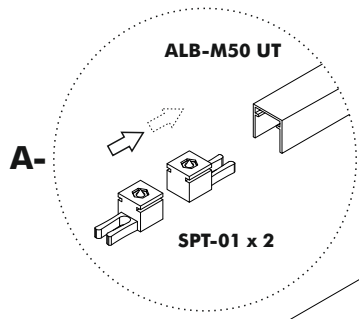
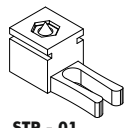
KAPAK KAPATILMADAN KİLİDİ İNDİRİN !!!
LET THE MECHANISM LOCK MOVE DOWN,
BEFORE CLOSING THE FRONT PANEL !!!



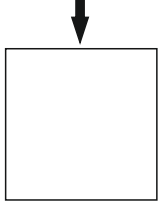
STEP 26



STEP 27

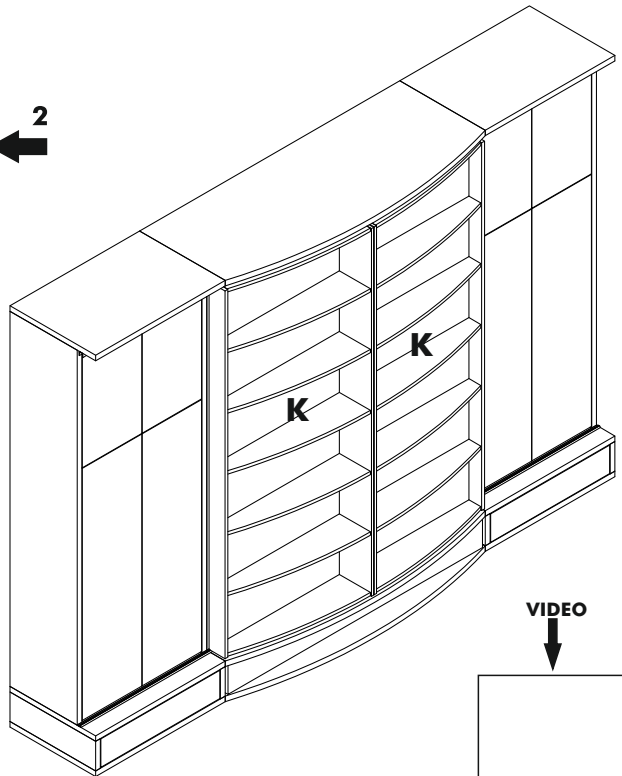
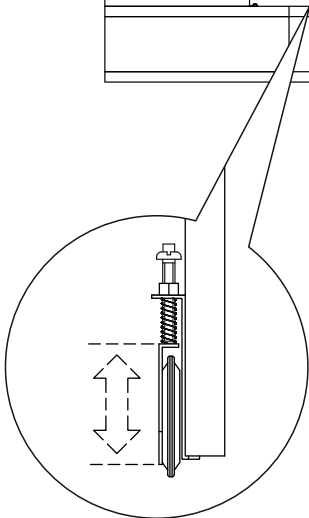
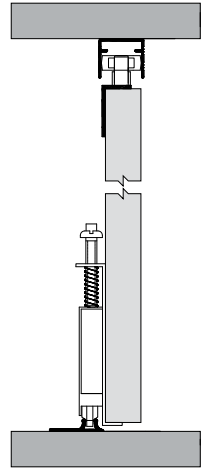
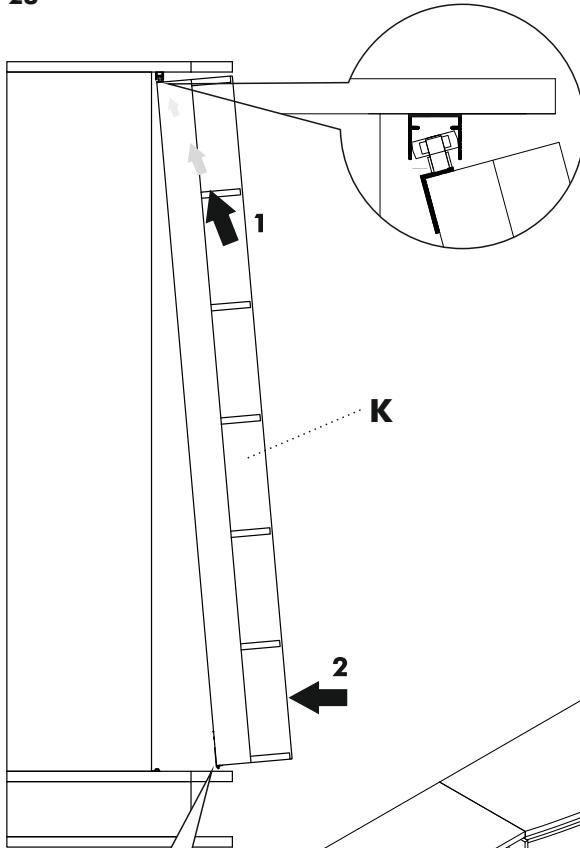


VIDEO

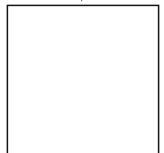


link

STEP 28

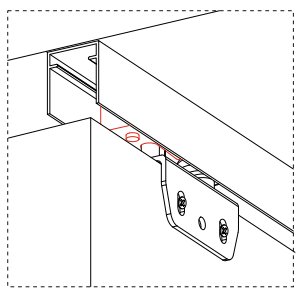
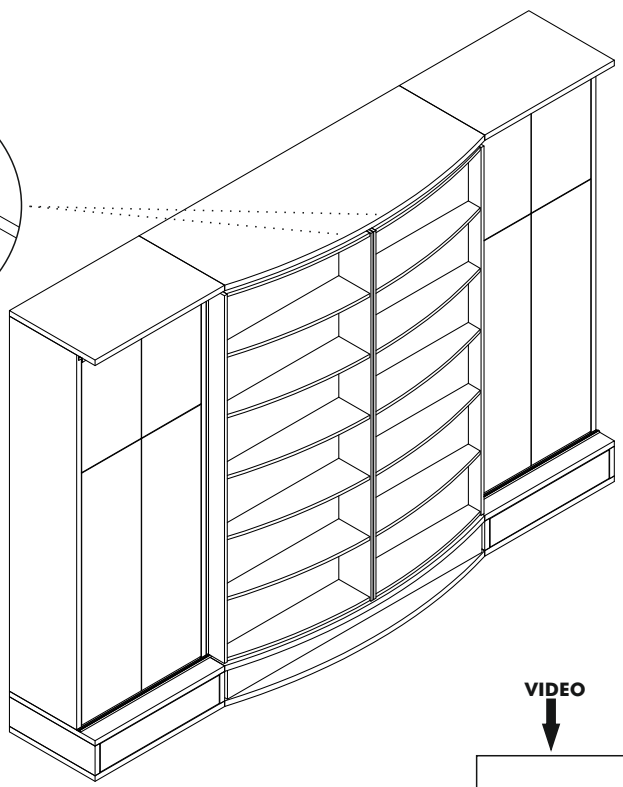
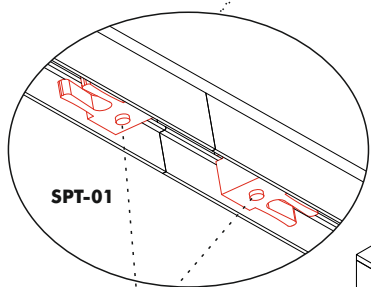
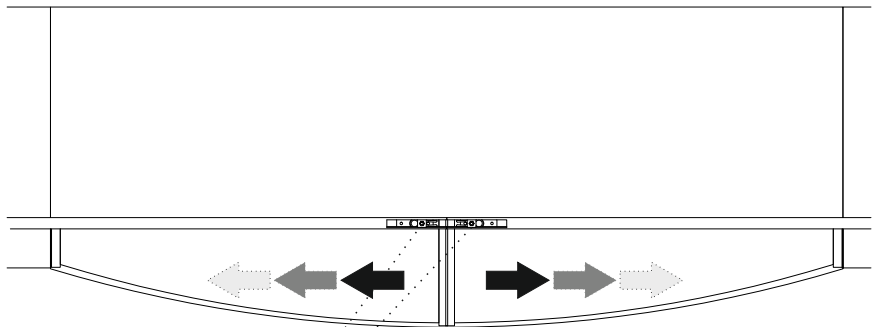


VIDEO

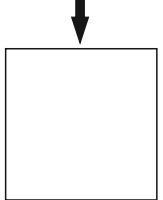


link

STEP 29

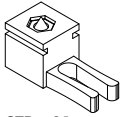


VIDEO

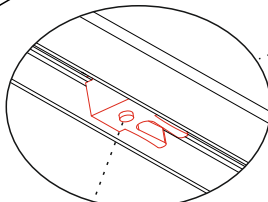
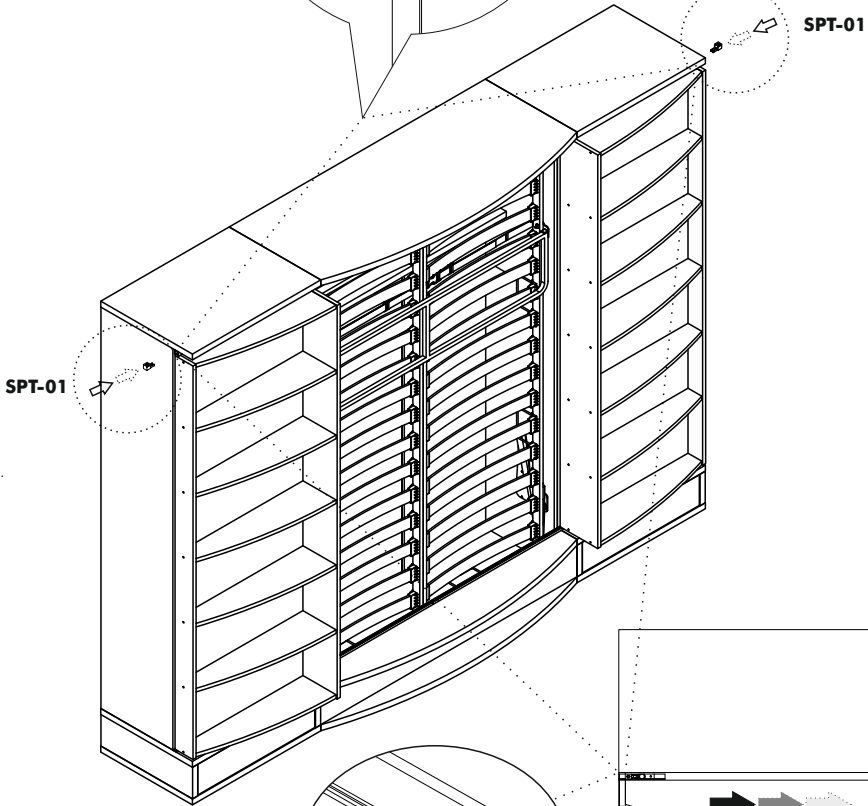
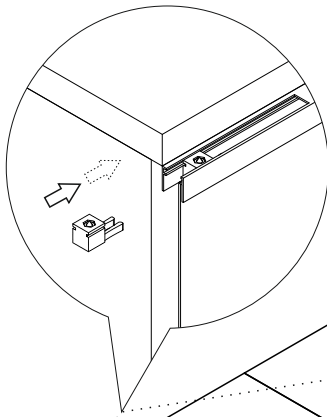


link

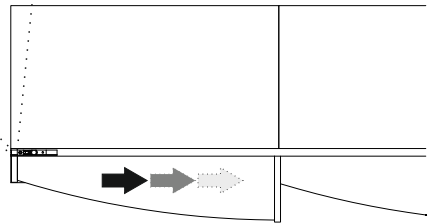
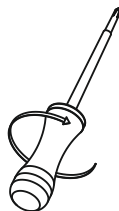
STEP 30



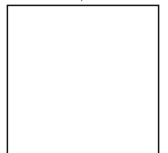
SPT - 01



SPT-01



VIDEO



link

ATTENTION / HOW TO / READ ME / OWNER'S GUIDE

1. When mounting on a regular drywall, furniture must be fastened to wood or metal studs. Solid walls made of brick, concrete or similar strong material are also acceptable. Do not mount furniture to paper-mache or sheetrock (plasterboard) like material without properly fixing to stud.
2. For safety and product longevity you must periodically inspect the mounting and mechanical connections for integrity and tightness. Confirm hardware remains properly affixed and connections snug.
3. Wall Bed mattress thickness may not exceed 8 inches (200mm). Take care to remove pillows and excess blankets before closing. Doing so keeps mechanism free of obstruction and unnecessary stress.
4. Do not lean or rest heavy objects on side or top of furniture. This may cause balance issues and compromise the integrity of your mounting connections.
5. Please use the furniture's beds, desks and shelving as intended. Not designed to be sat, stood, leaned, jumped (etc) on. Improper use may cause personal injury and damage to property.
6. With seasonal humidity change you must inspect interior and exterior of furniture.
7. Single bed models are suitable for the weight of one person. Sleeping by more than one person will cause damage of the product.
8. Before any un-mounting or disassembly please contact Multimo for technical support and instruction. Failure to properly detach risks injury to person and damage to property.
9. For Bunk Beds:
 - a. Always use provided ladder when accessing top bunk.
 - b. Be slow, careful and aware of surroundings when opening top bunk.
 - c. Do not horseplay. Beds are to be slept on only.
 - d. Some have legs that fully extend when open- be aware of where the leg is and will be.



MULTiMO

www.multimo.com