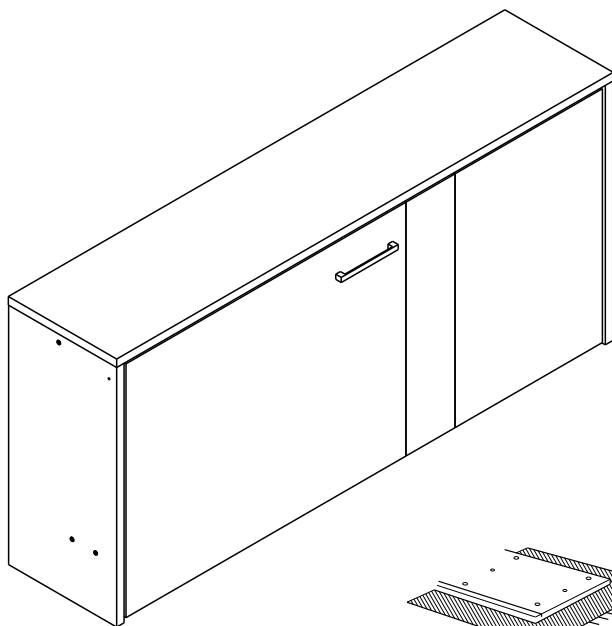








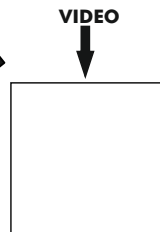
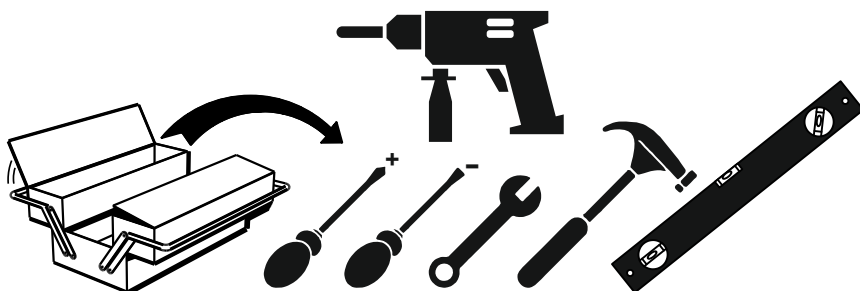
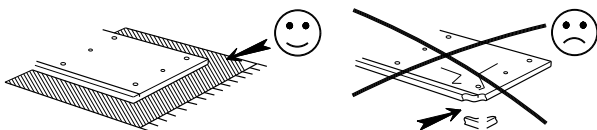
MULTIMO

1116-2 SMART BUNK TOP



 **65** min.

Technical Service

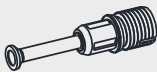
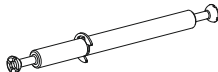


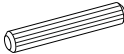

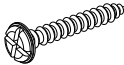
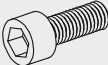
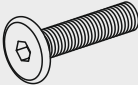
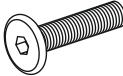



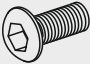


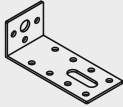
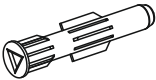
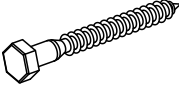

 **95** min.

End User

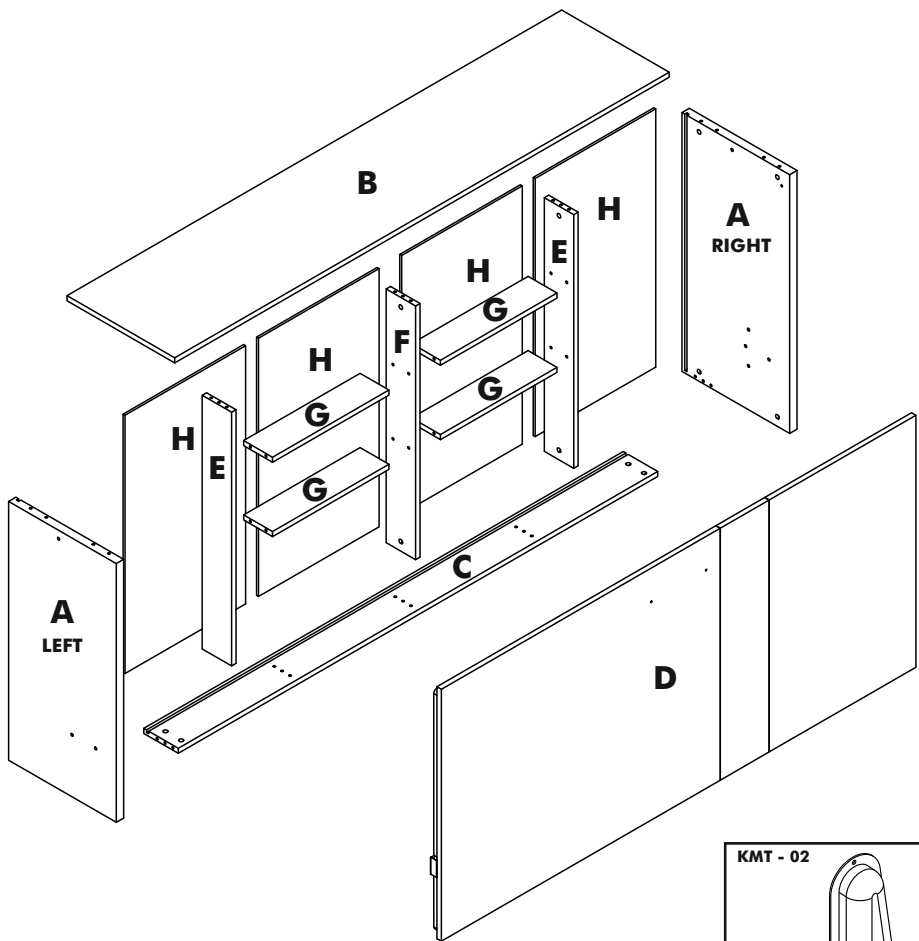


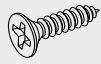
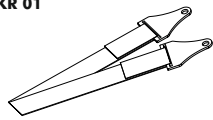
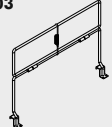
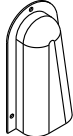
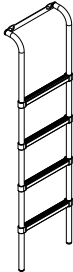


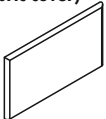
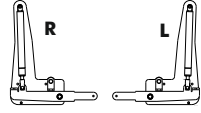

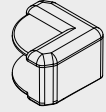
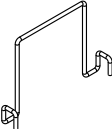
link

Track Title	Piece	(inch)			(mm)			
		Thickness	Length	Width	Piece	Thick	Height	Most
A-R / A-L	2	1,18	36,06	17,32	2	30	916	440
B	1	1,18	79,61	17,36	1	30	2022	441
C	1	0,71	77,17	5,55	1	18	1960	141
D	1	0,71	76,38	35,24	1	18	1940	895
E-R / E-L	2	0,71	35,35	4,72	2	18	898	120
F	1	0,71	35,35	4,72	1	18	898	120
G	4	0,71	18,74	4,65	4	18	476	118
H	4	0,31	35,98	19,41	4	8	914	493

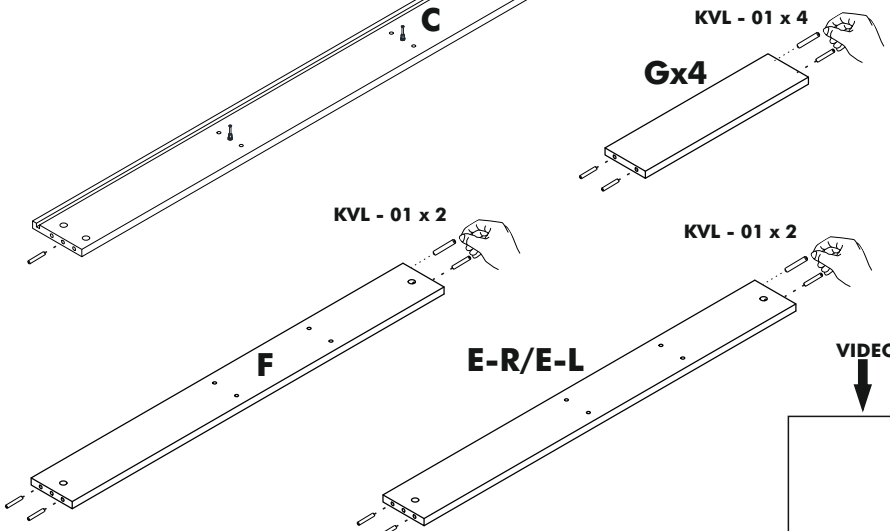
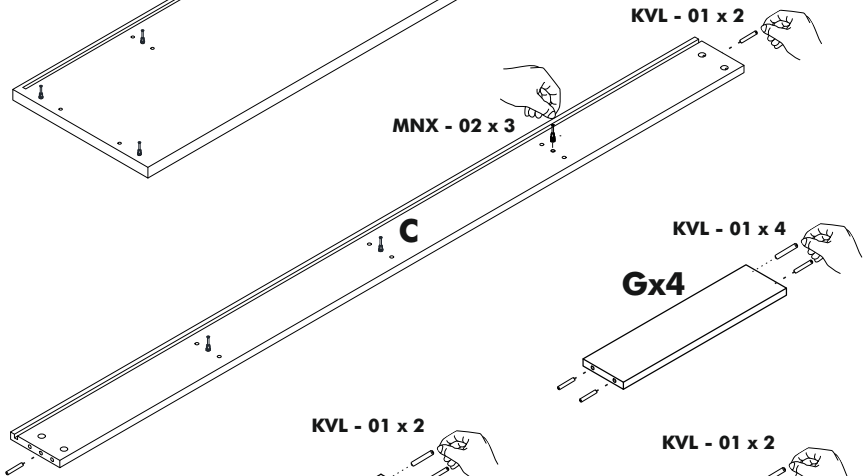
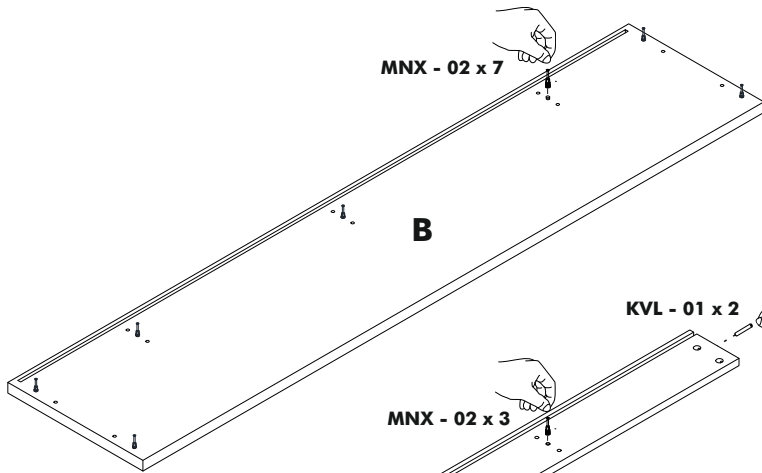
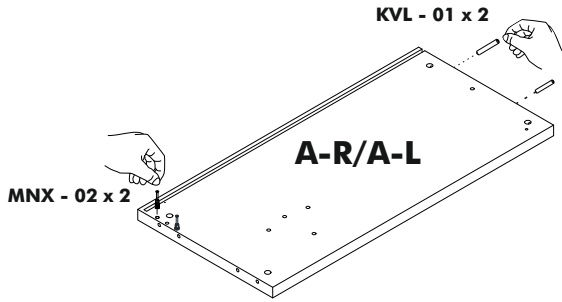
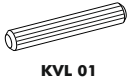
Accessories List

MNX 02  14 / piece	MNX - 04 (98mm)  4 / piece	MNG - 01  18 / piece	TAP - 01  18 / piece
KVL 01  38 / piece	AVT - 01  10 / piece	VD - 02 (3,5x25) mm  19 / piece	IM - 01 (6x30) mm  4 / piece
CT - 01 (6x40) mm  4 / piece	CT - 02 (6x30) mm  2 / piece	PL-006  4 / piece	PL - 01 (6x19x1) mm  2 / piece
SNO - 02 (M6)  2 / piece	CTM - 04 (8x25) mm  2 / piece	VKP - 01 (22) mm  2 / piece	OT-054  2 / piece
DSE - 01 (40x90x32) mm  3 / piece	DD - 01 (R10)  3 / piece	TFC - 01(8x70) mm  3 / piece	PL - 02 (8x22x1) mm  3 / piece

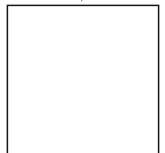


<p>VD - 08 (4x18) mm</p>  <p>16 / piece</p>	<p>AKR 01</p>  <p>2 / piece</p>	<p>KOR 03 (20 X 40)</p>  <p>4 / piece</p>	<p>KMT - 02</p>  <p>2 / piece</p>
<p>MRD 05</p>  <p>1 / piece</p>	<p>VTB - 01 (4,8x16) mm</p>  <p>12 / piece</p>	<p>VTB - 02 (4,2x16) mm</p>  <p>6 / piece</p>	<p>KLF 02 (fabric cover)</p>  <p>4 / piece</p>
<p>MKZ-10-60 M (300 N)</p>  <p>1 / piece</p>	<p>KP - 01 (224) mm</p>  <p>1 / piece</p>	<p>KKS - 01</p>  <p>2 / piece</p>	<p>TTC 02</p>  <p>2 / piece</p>

STEP 1

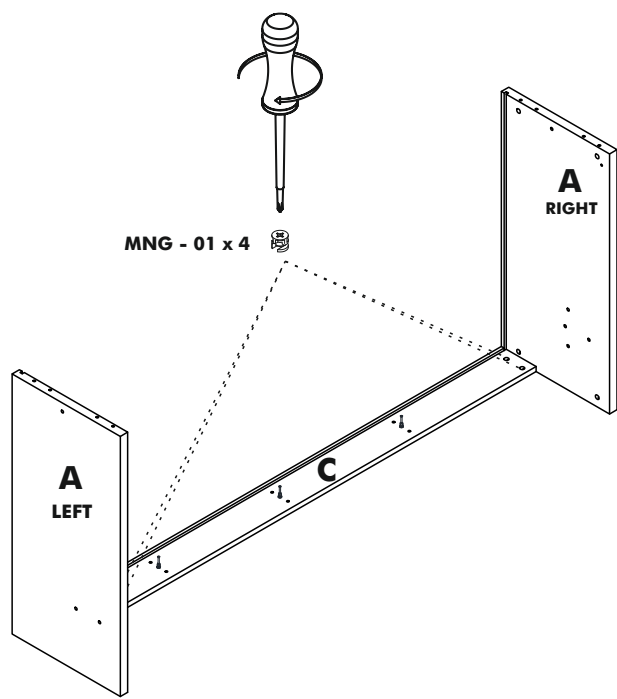


VIDEO

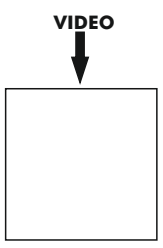
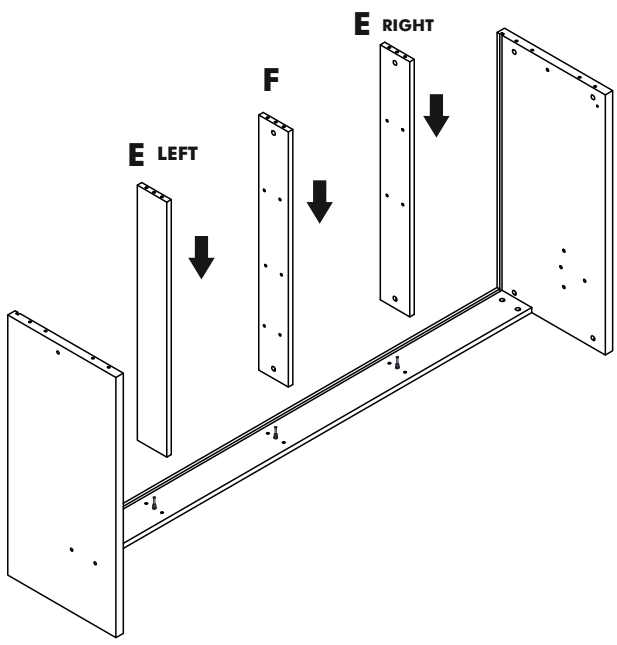


link

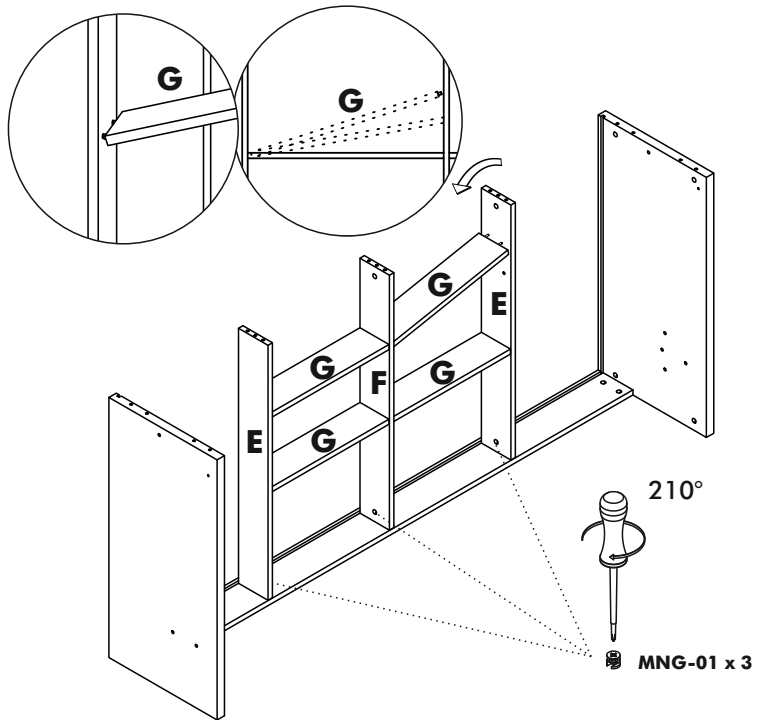
STEP 2



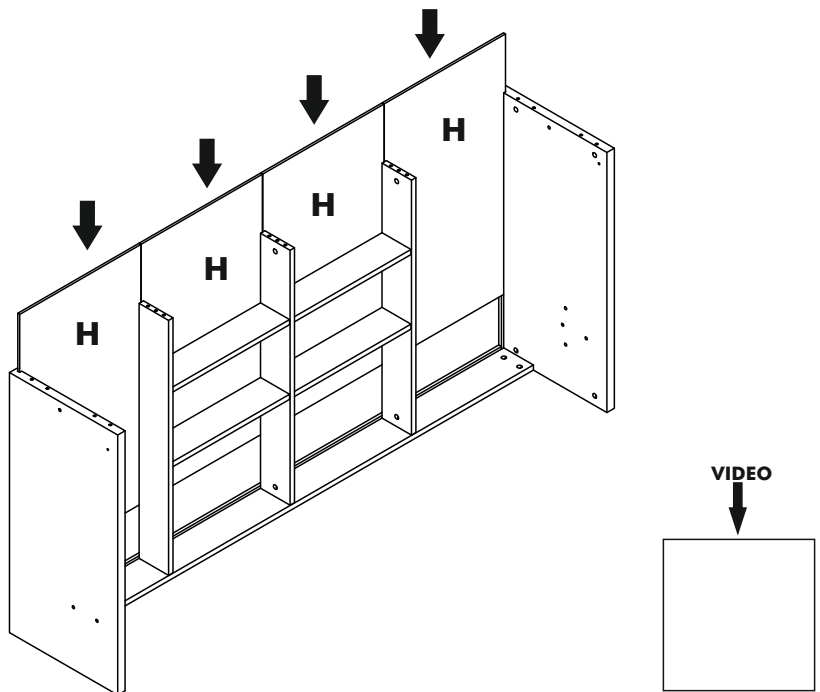
STEP 3



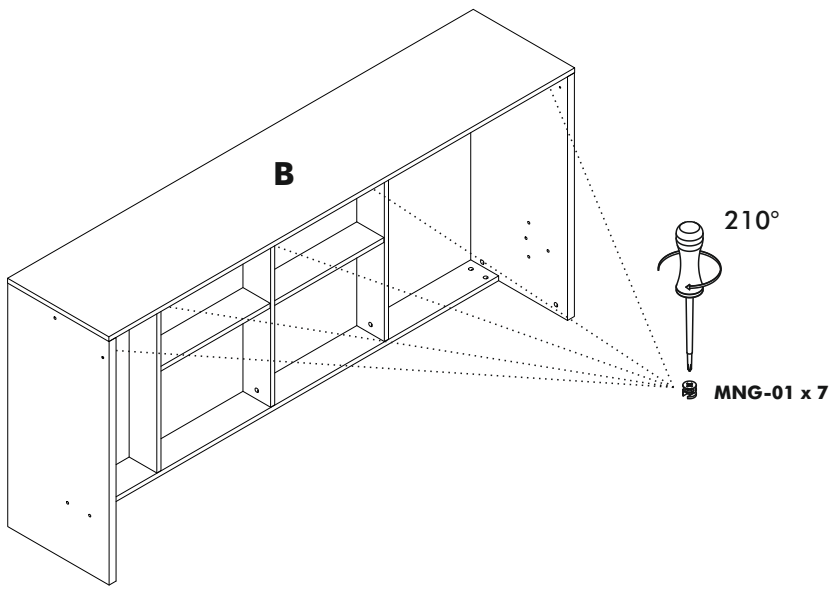
STEP 4



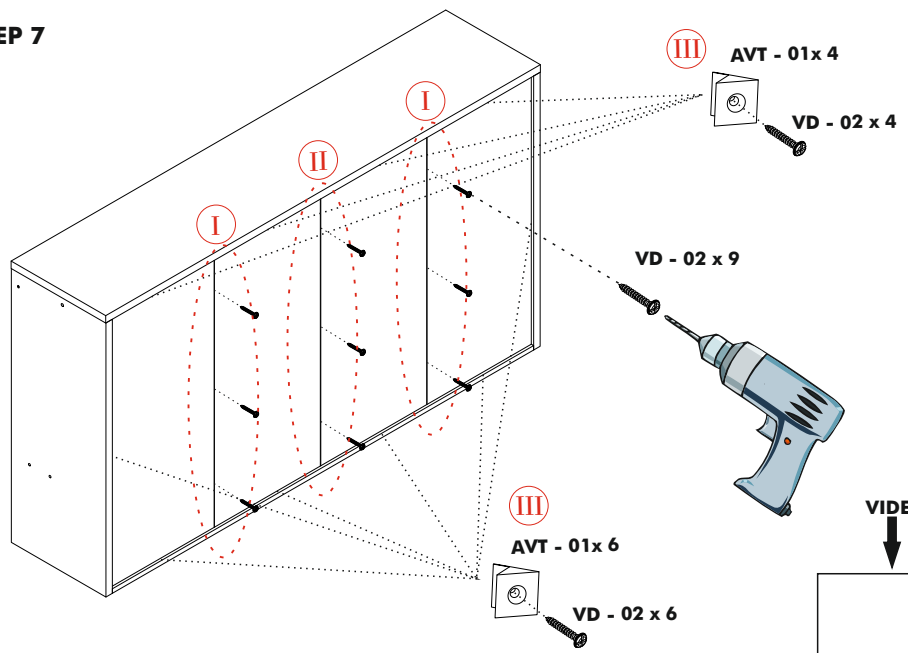
STEP 5



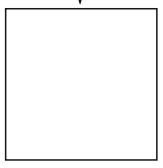
STEP 6



STEP 7

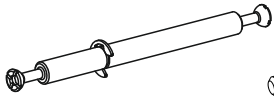


VIDEO

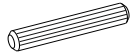


link

STEP 8



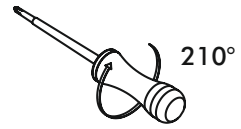
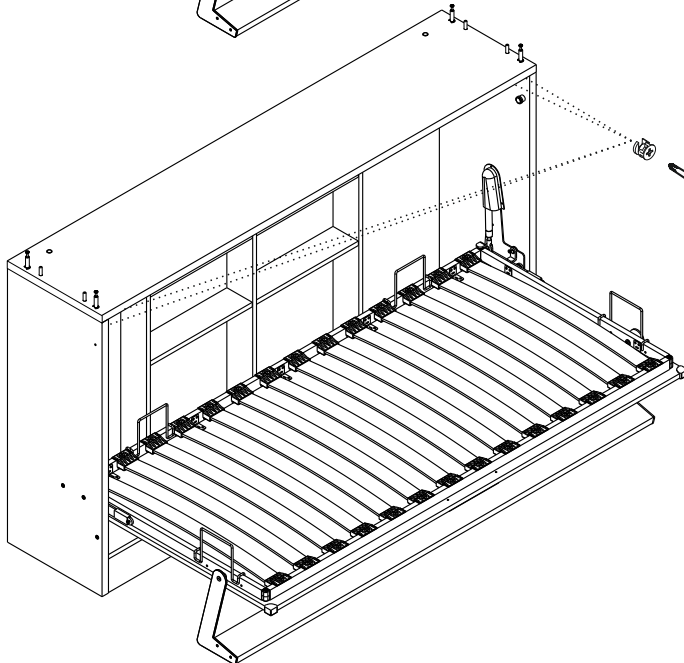
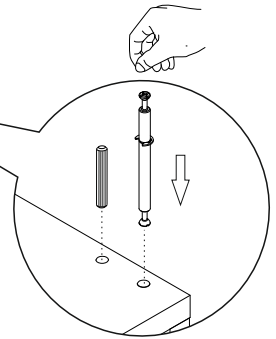
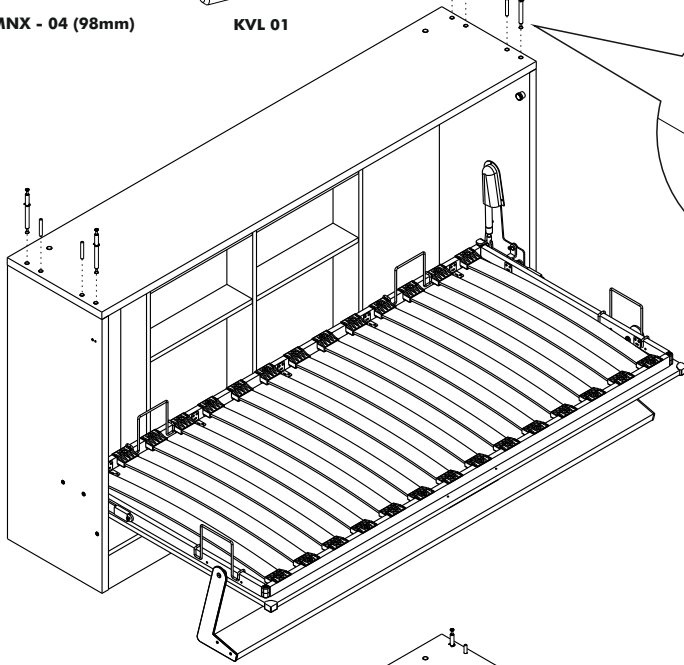
MNX - 04 (98mm)



KVL 01

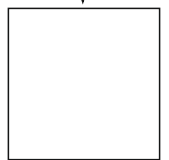
MNX - 04 X 4

KVL - 01 X 4



210°

VIDEO

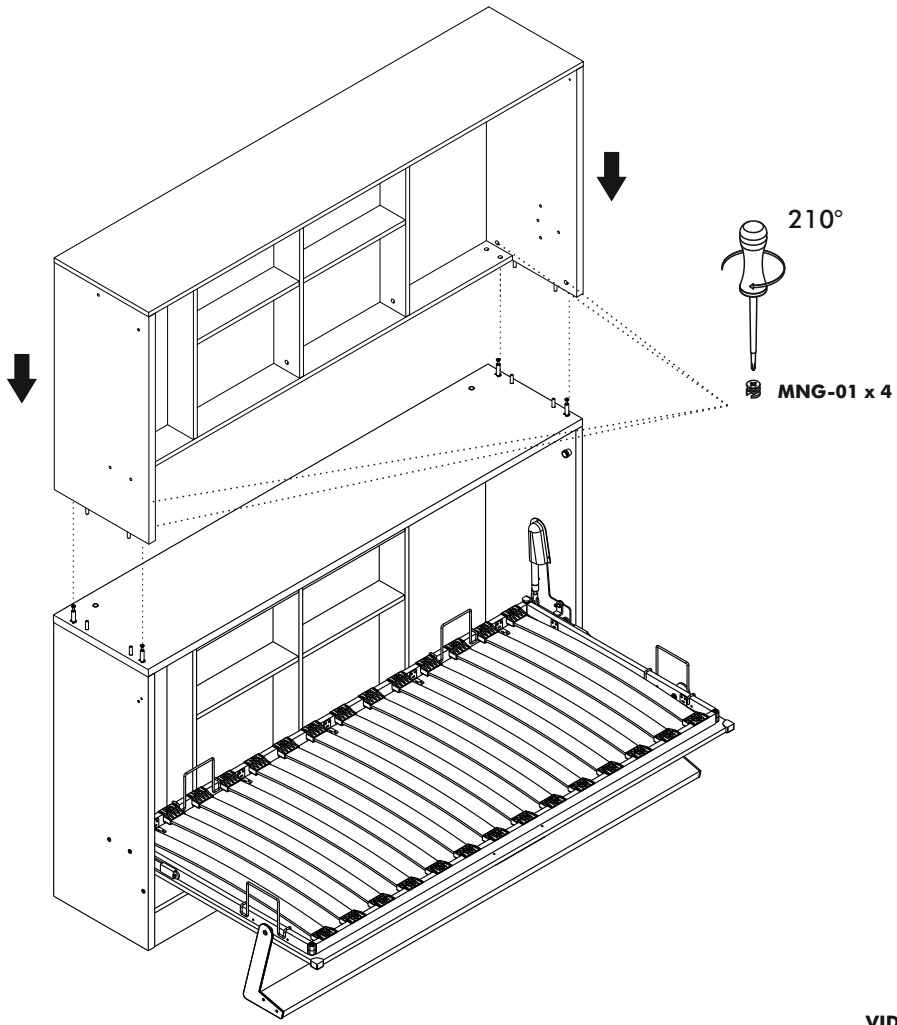


link

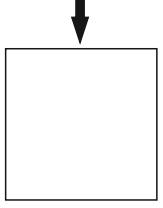
STEP 9



MNG - 01

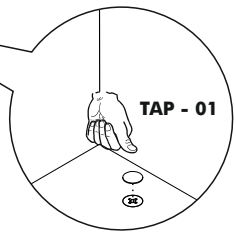
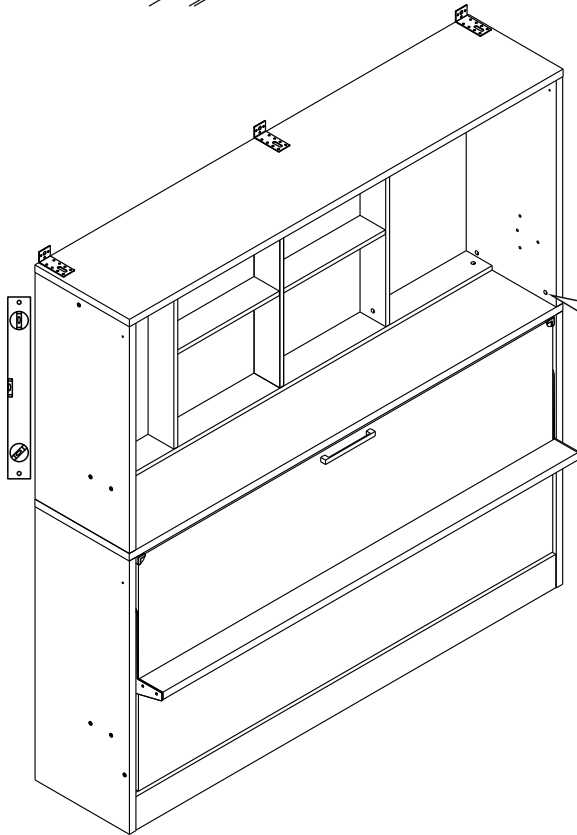
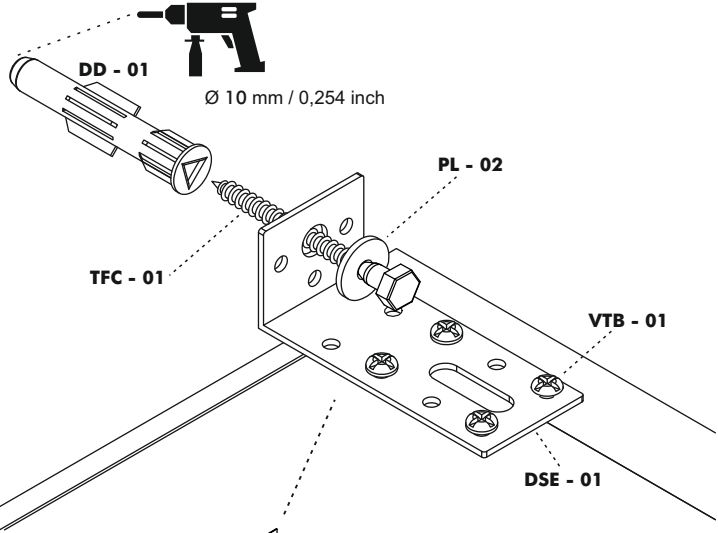


VIDEO

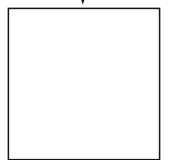


link

STEP 10

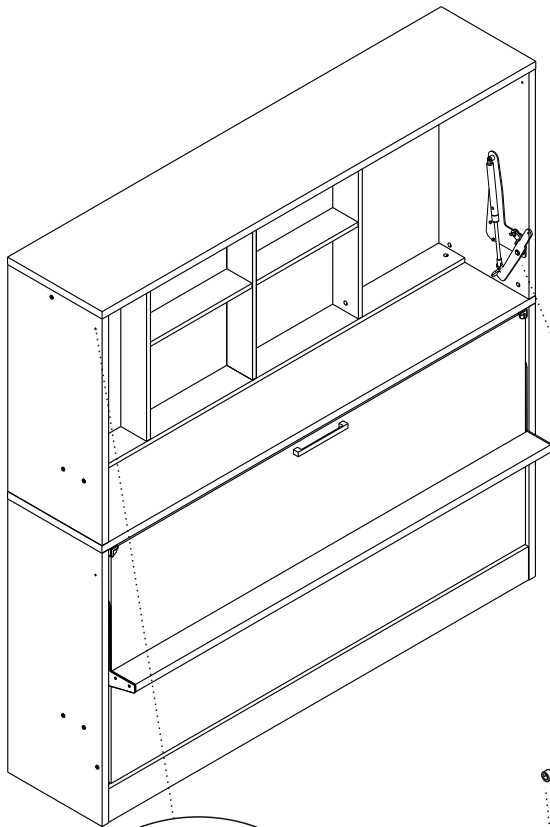


VIDEO



link

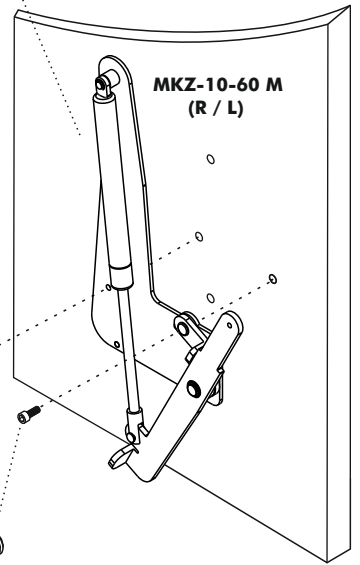
STEP 11



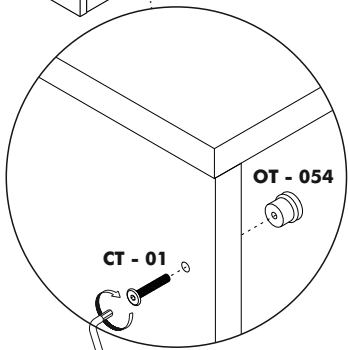
**Vidayı çıkarın
Remove the screw**



**CAUTION
DO NOT UNLOCK BEFORE INSTALL**



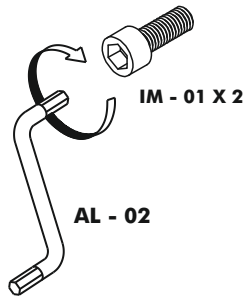
**MKZ-10-60 M
(R / L)**



OT - 054

CT - 01

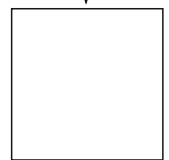
AL - 01



IM - 01 X 2

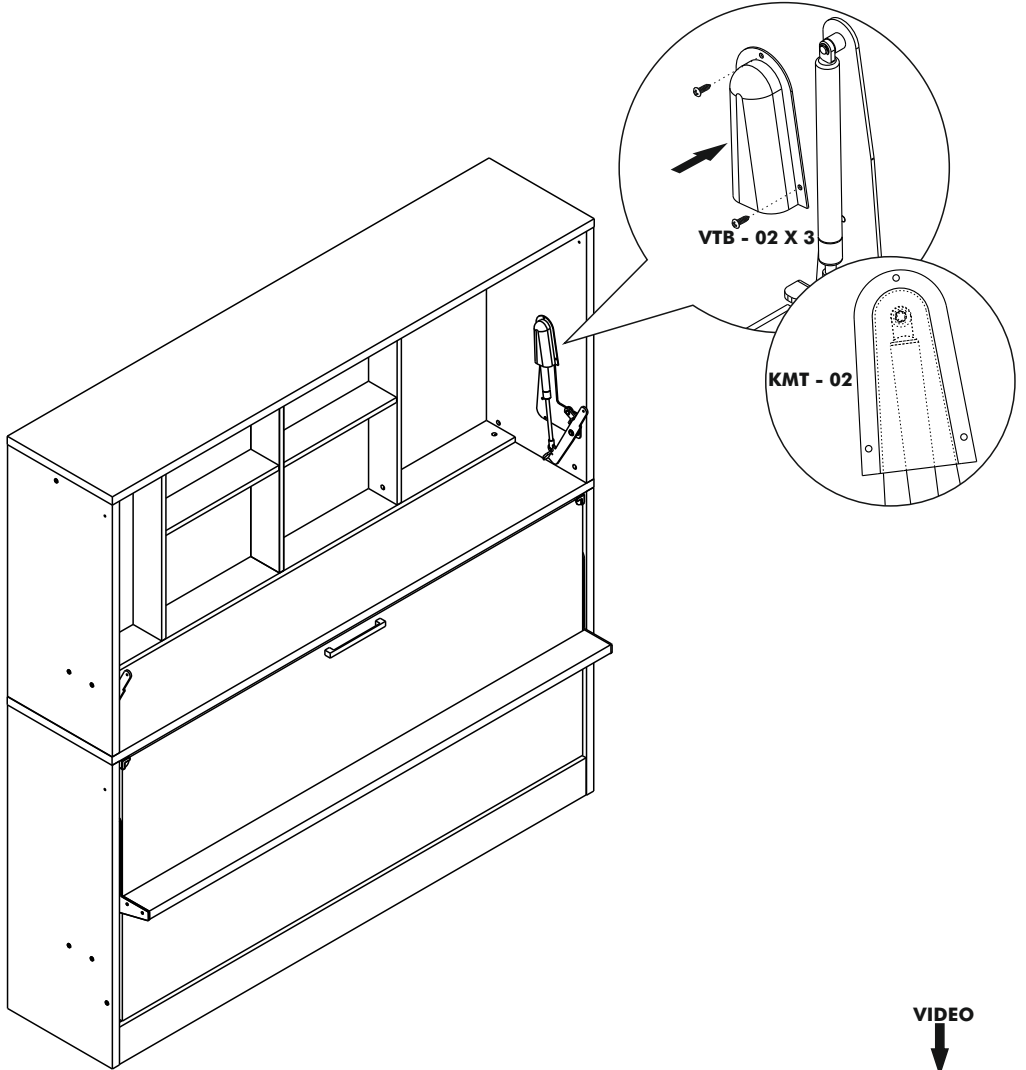
AL - 02

VIDEO

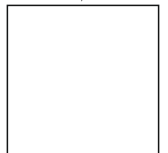


link

STEP 12

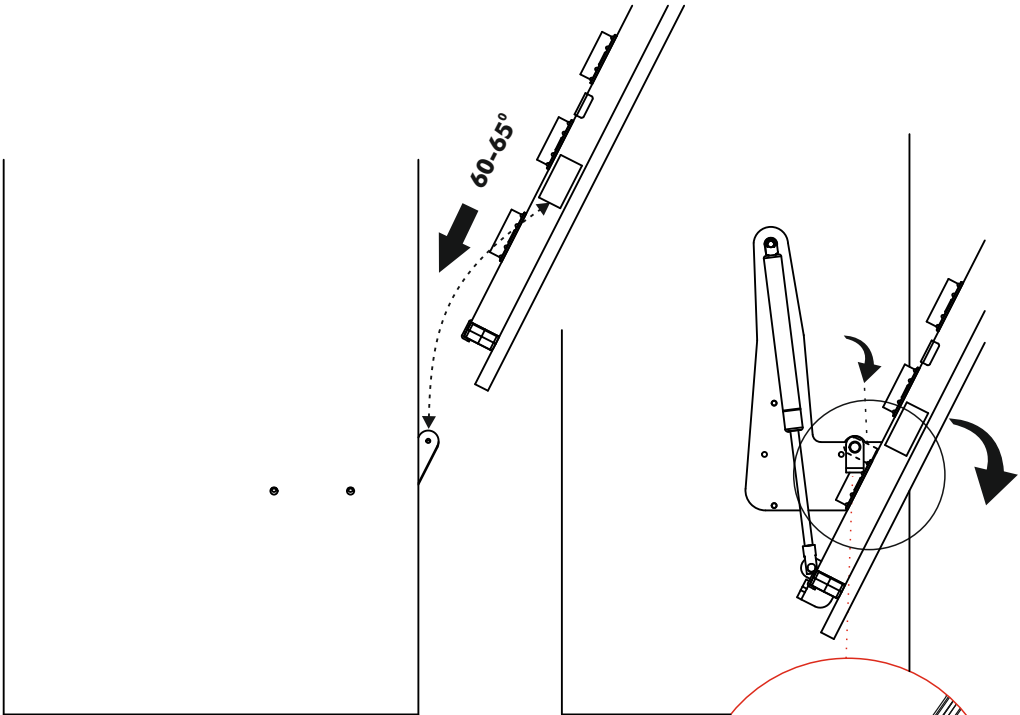


VIDEO

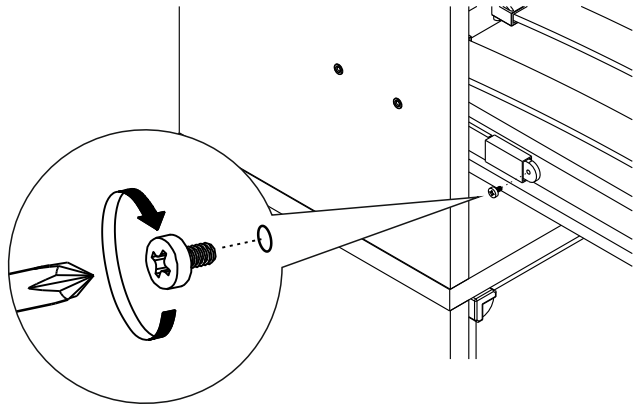
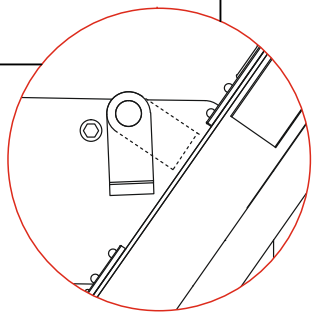


link

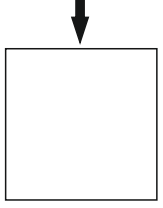
STEP 13



**KAPAK KAPATILMADAN KİLİDİ İNDİRİN !!!
LET THE STOPPER LOCK MOVE DOWN !!!**

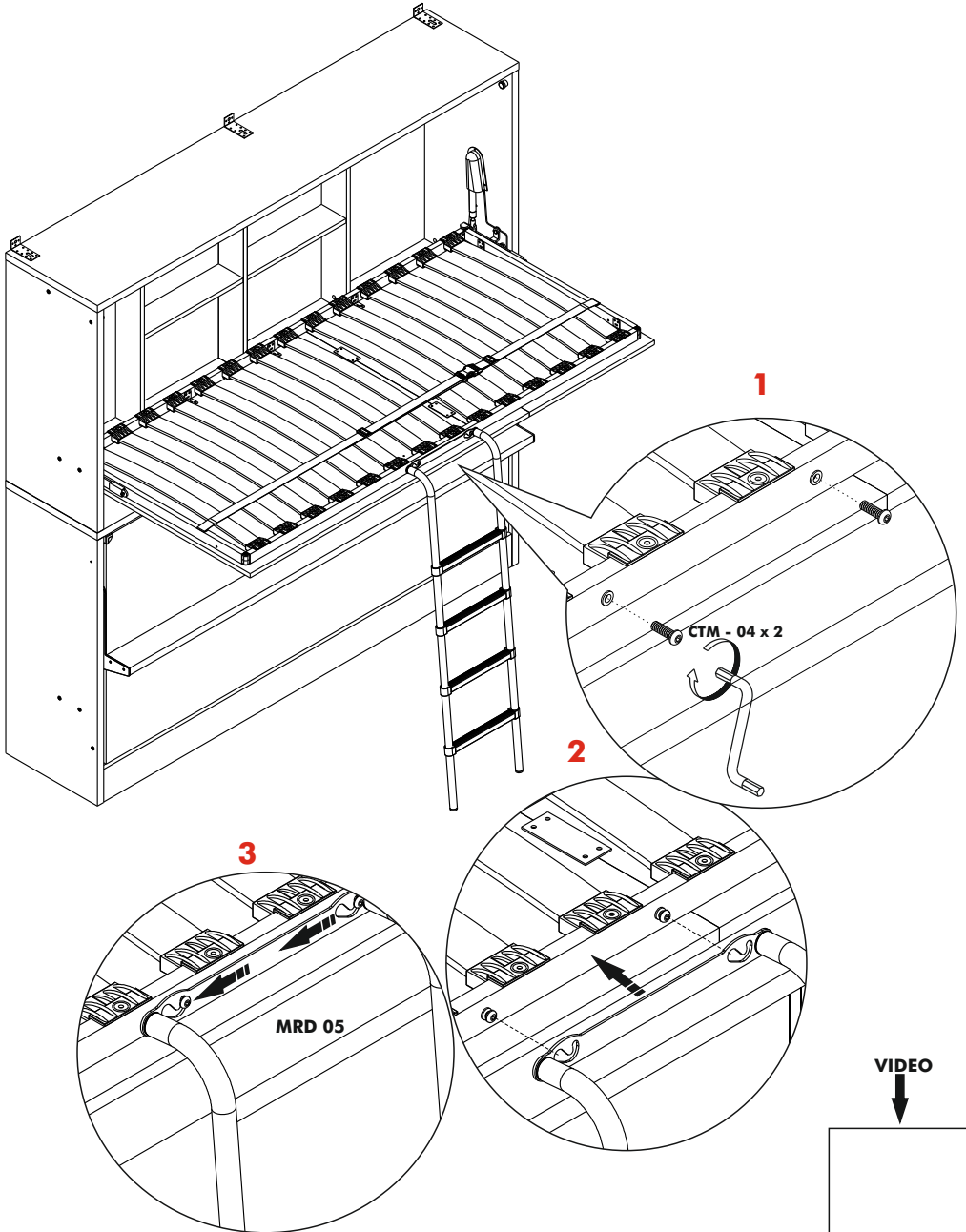


VIDEO

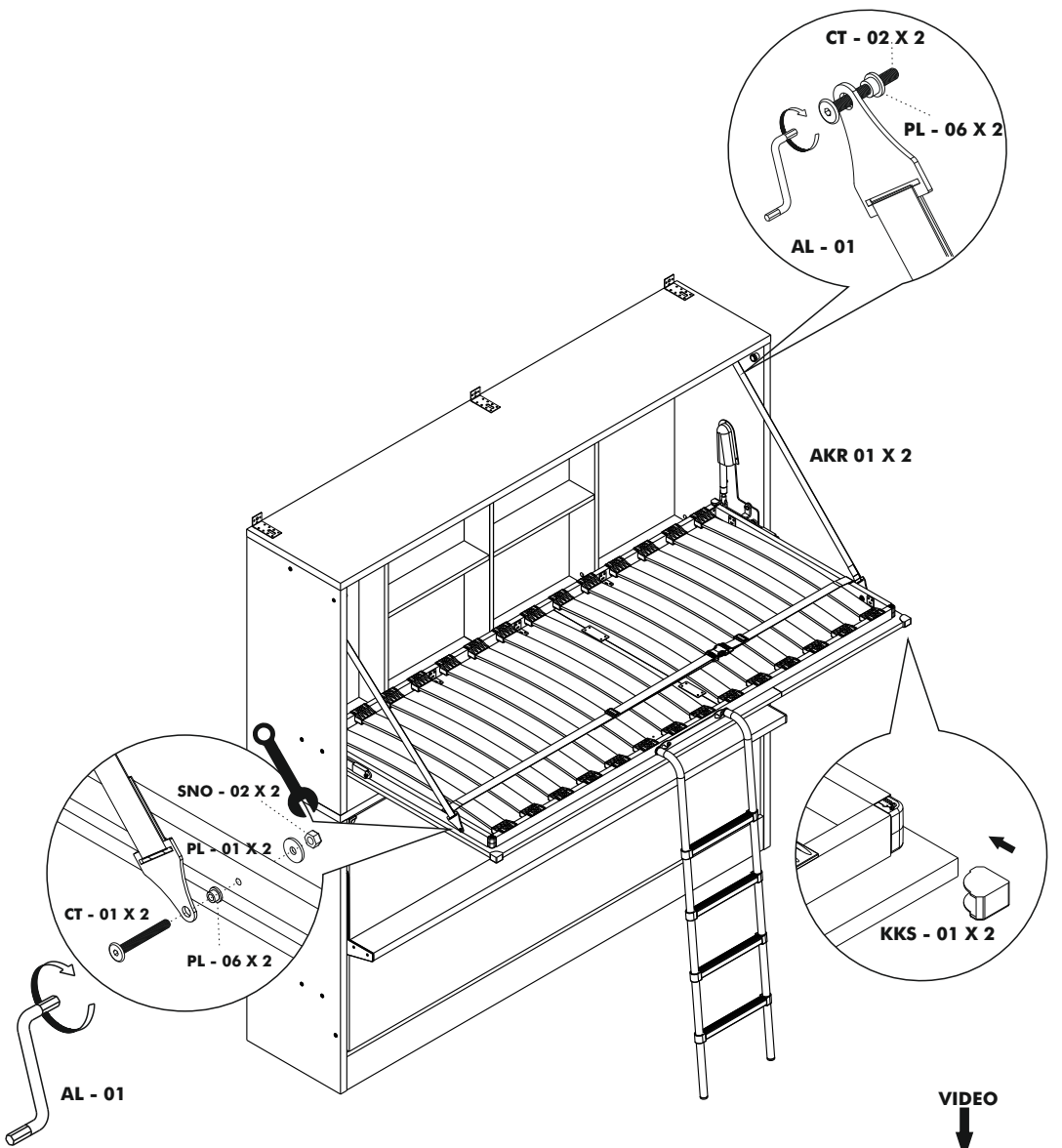


link

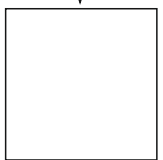
STEP 14



STEP 15

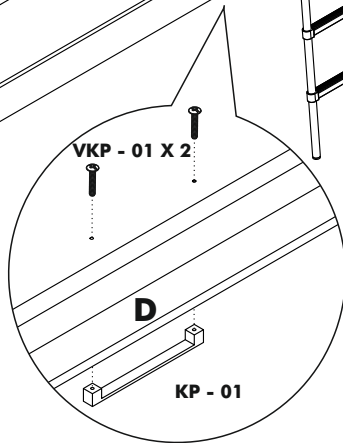
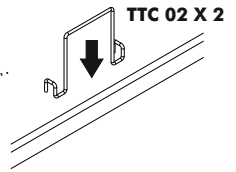
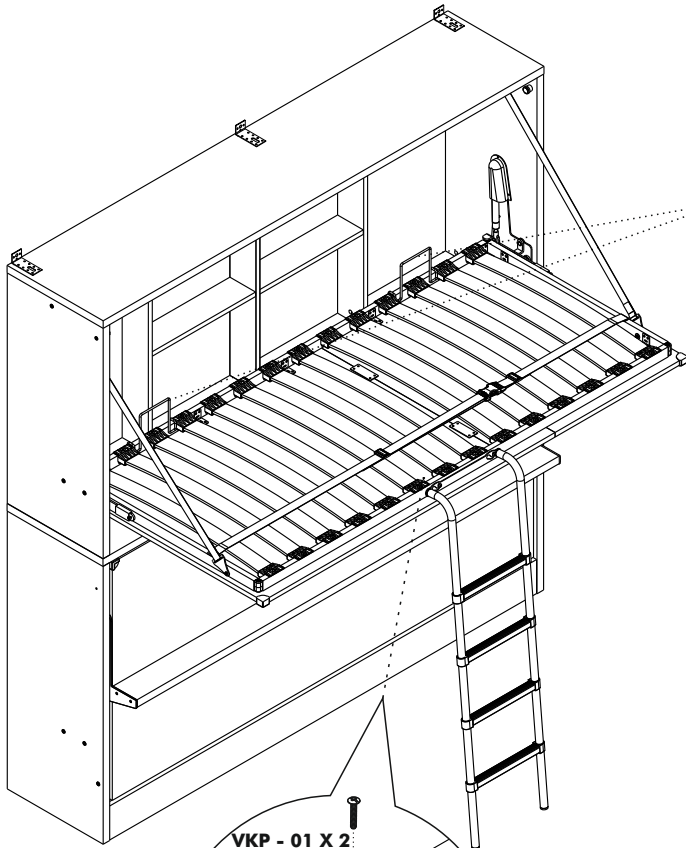


VIDEO

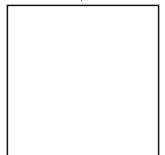


link

STEP 16

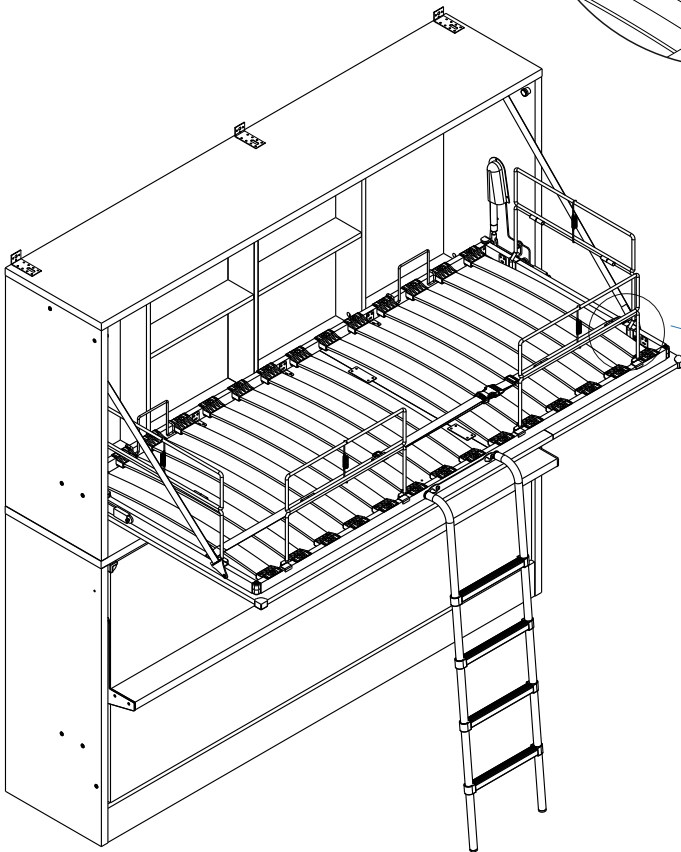
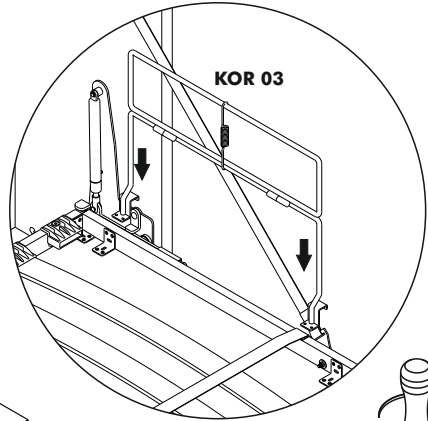
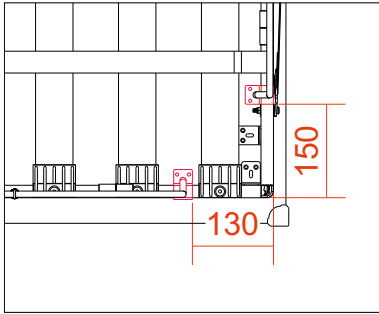


VIDEO

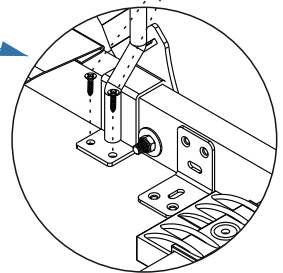


link

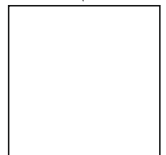
STEP 17



VD - 08 x 2

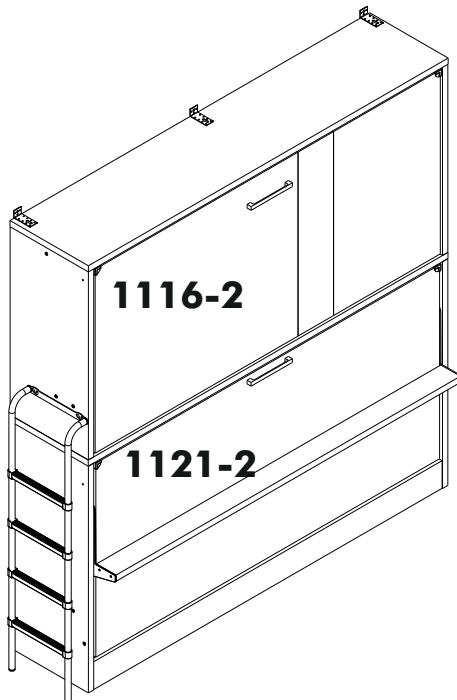
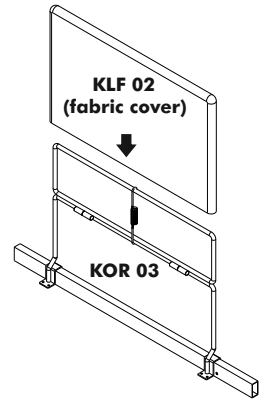
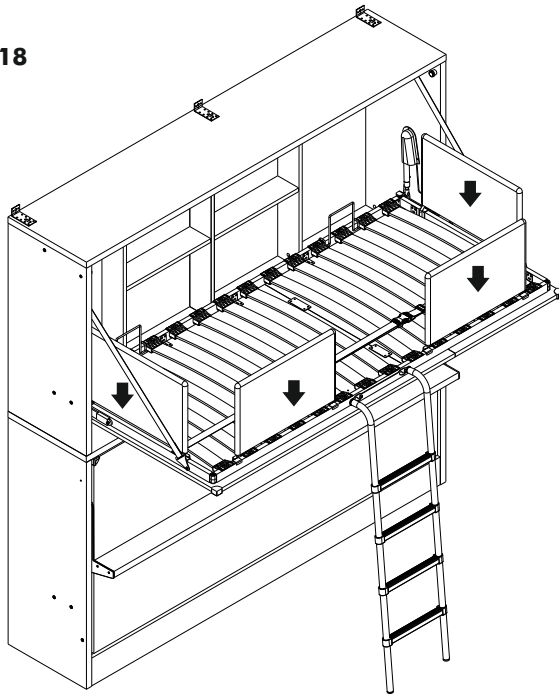


VIDEO

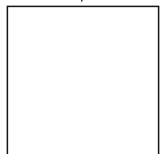


link

STEP 18



VIDEO



link

ATTENTION / HOW TO / READ ME / OWNER'S GUIDE

1. When mounting on a regular drywall, furniture must be fastened to wood or metal studs. Solid walls made of brick, concrete or similar strong material are also acceptable. Do not mount furniture to paper-mache or sheetrock (plasterboard) like material without properly fixing to stud.
2. For safety and product longevity you must periodically inspect the mounting and mechanical connections for integrity and tightness. Confirm hardware remains properly affixed and connections snug.
3. Wall Bed mattress thickness may not exceed 8 inches (200mm). Take care to remove pillows and excess blankets before closing. Doing so keeps mechanism free of obstruction and unnecessary stress.
4. Do not lean or rest heavy objects on side or top of furniture. This may cause balance issues and compromise the integrity of your mounting connections.
5. Please use the furniture's beds, desks and shelving as intended. Not designed to be sat, stood, leaned, jumped (etc) on. Improper use may cause personal injury and damage to property.
6. With seasonal humidity change you must inspect interior and exterior of furniture.
7. Single bed models are suitable for the weight of one person. Sleeping by more than one person will cause damage of the product.
8. Before any un-mounting or disassembly please contact Multimo for technical support and instruction. Failure to properly detach risks injury to person and damage to property.
9. For Bunk Beds:
 - a. Always use provided ladder when accessing top bunk.
 - b. Be slow, careful and aware of surroundings when opening top bunk.
 - c. Do not horseplay. Beds are to be slept on only.
 - d. Some have legs that fully extend when open- be aware of where the leg is and will be.



MULTiMO

www.multimo.com