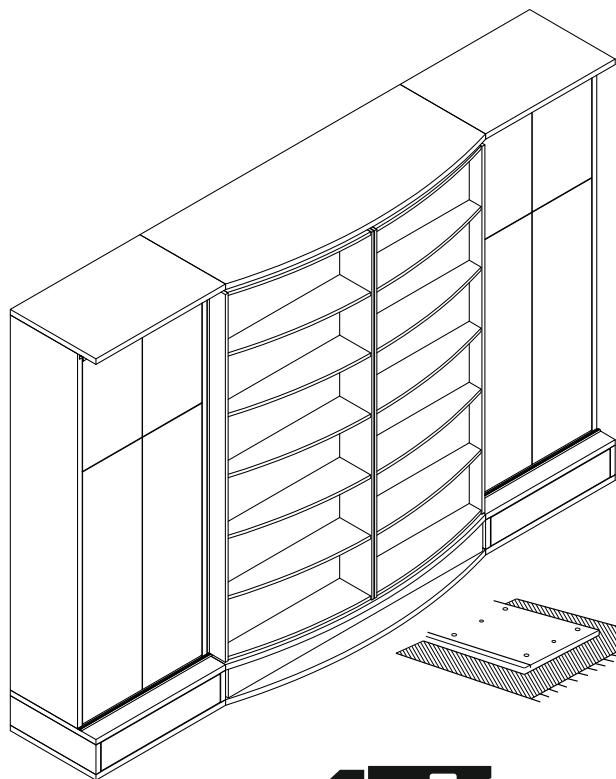




MULTIMO

151- SUIT BED



110 min.



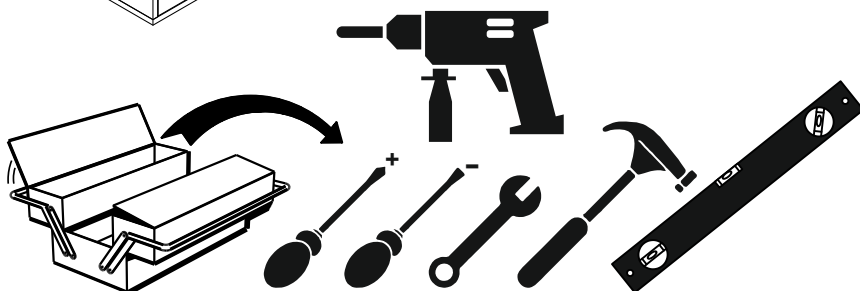
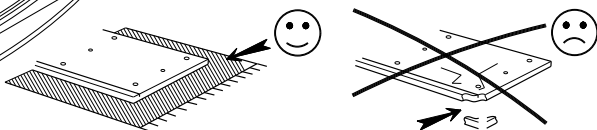
Technical Service



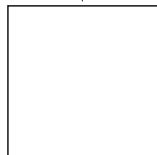
130 min.



End User



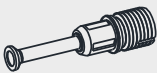


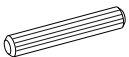
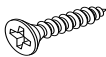

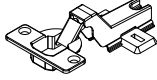
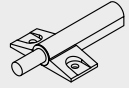
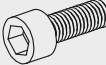
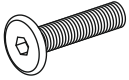
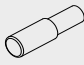

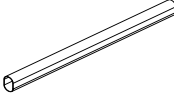

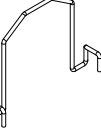
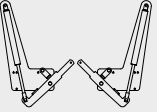
VIDEO

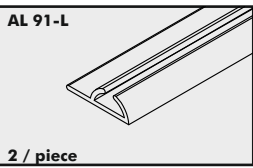
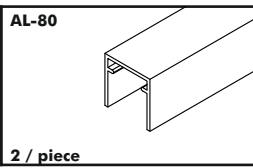
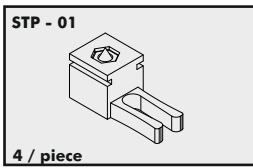
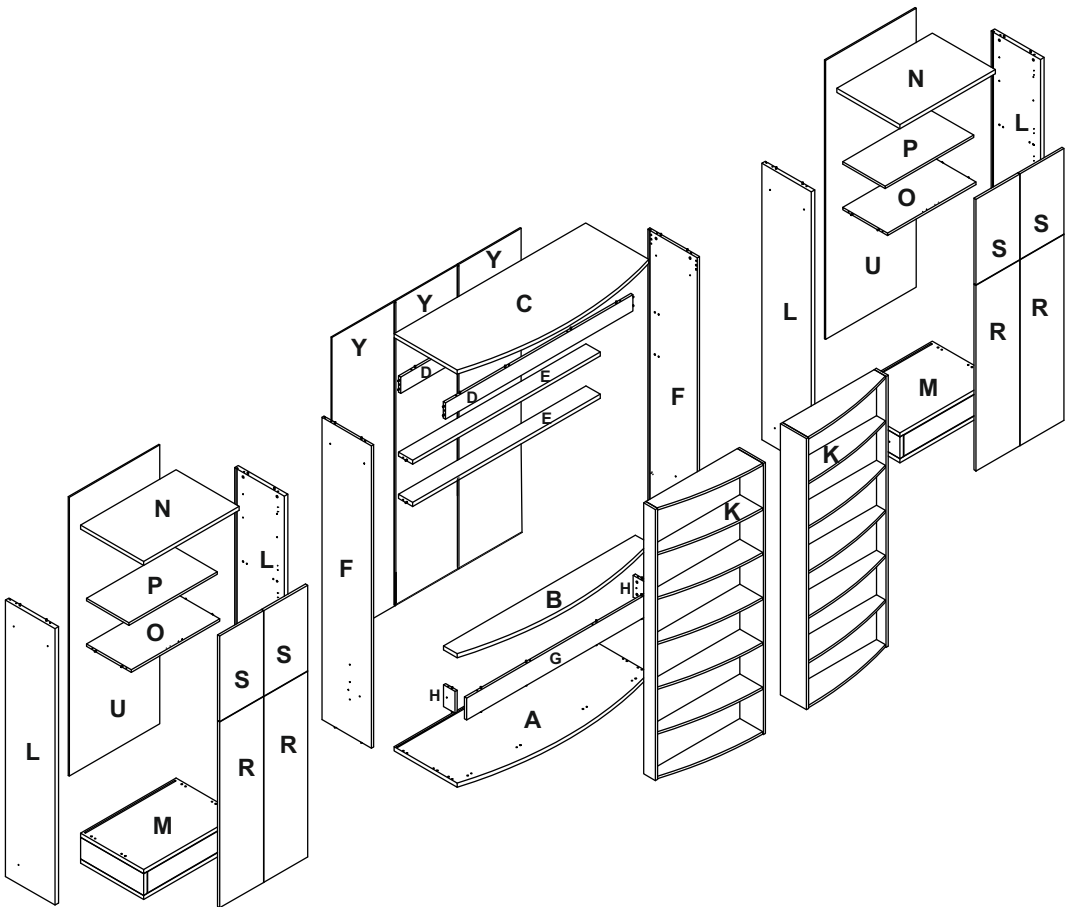


link

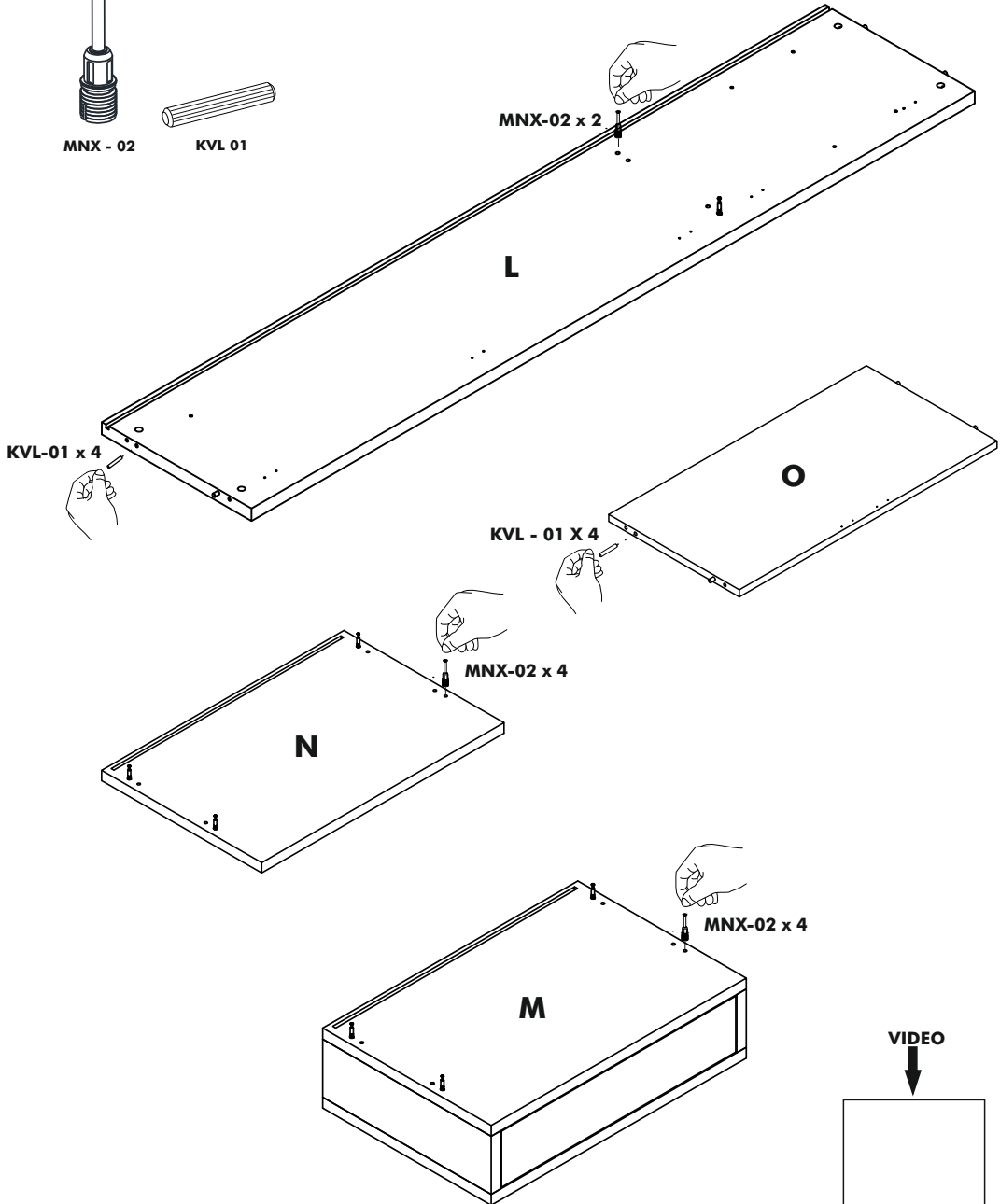
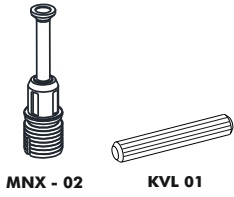
Track Title	Piece	(inch)			(mm)			
		Thickness	Length	Width	Piece	Thick	Height	Most
A	1	1,18	58,90	25,79	1	30	1496	655
B	1	1,18	58,90	9,25	1	30	1496	235
C	1	1,18	58,90	25,79	1	30	1496	655
D	2	0,71	57,48	4,72	2	18	1460	120
E	2	1,18	57,48	3,94	2	30	1460	100
F	2	0,71	87,40	16,54	2	18	2220	420
G	1	0,71	58,90	6,30	1	18	1496	160
H	2	0,71	6,30	3,78	2	18	160	96
K	2	8,66	78,35	29,33	2	220	1990	745
L	4	1,18	79,92	16,54	4	30	2030	420
M	2	8,66	29,53	21,06	2	220	750	535
N	2	1,18	29,53	21,06	2	30	750	535
O	2	0,71	27,09	14,96	2	18	688	380
P	2	0,71	27,09	14,17	2	18	688	360
R	4	0,71	53,70	13,46	4	18	1364	342
S	4	0,71	24,72	13,46	4	18	628	342
U	2	0,31	80,59	27,80	2	8	2047	706
Y	3	0,31	88,03	19,33	3	8	2236	491

Accessories List

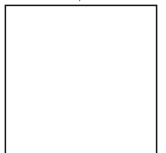
MX 02  60 / piece VD - 03 (3,5x18) mm	MNG - 01  60/ piece VD - 02 (3,5x25) mm	TAP - 01  60 / piece TS - 03	KVL 01  64 / piece B5 - 01
 122 / piece IM - 02 (6x20) mm	 18 / piece CT - 03 (6x50) mm	 20 / piece PM - 01	 8 / piece H 01
 4 / piece BO - 01	 8 / piece AF - 01	 8 / piece TTC 01	 2 / piece MKZ - 02
 2 / piece	 4 / piece	 6 / piece	 1 / piece 700 N



STEP 1

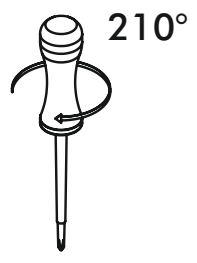
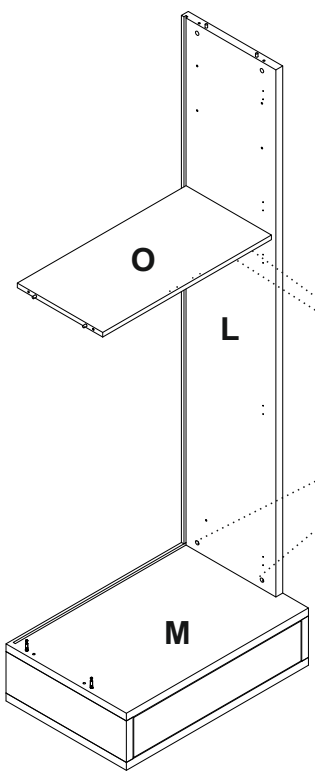


VIDEO

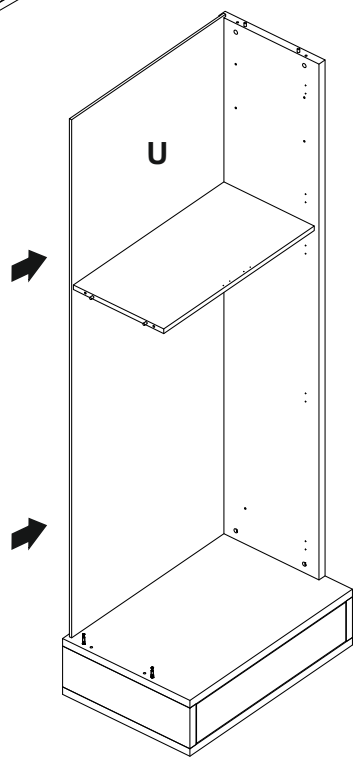


link

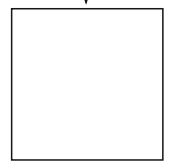
STEP 2



STEP 3

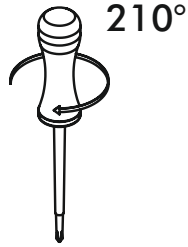
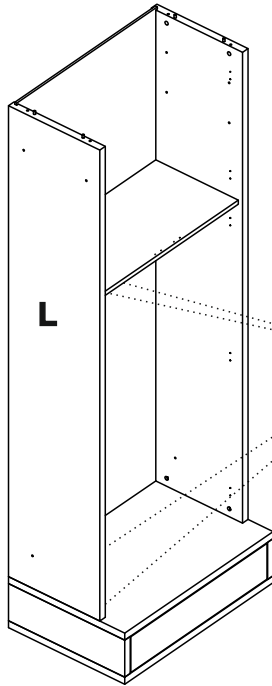


VIDEO

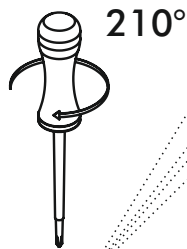


link

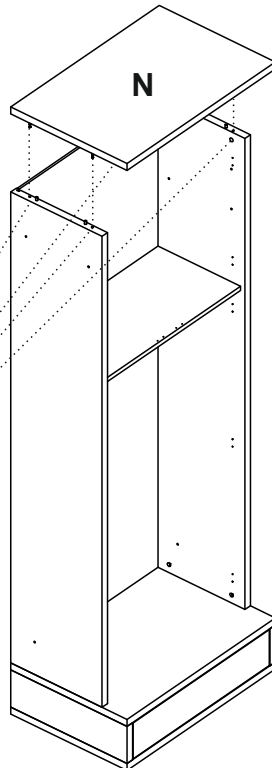
STEP 4



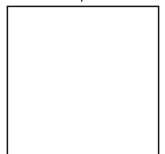
STEP 5



MNG - 01 x 4

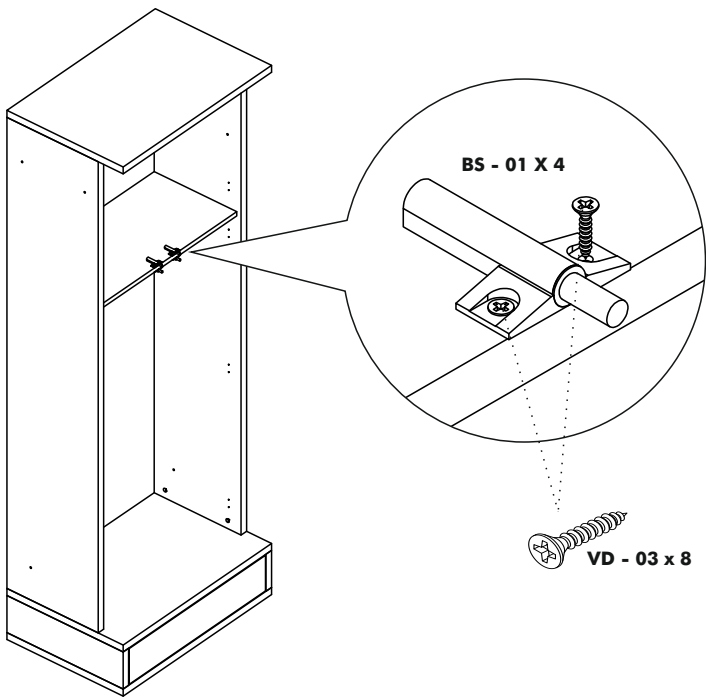


VIDEO

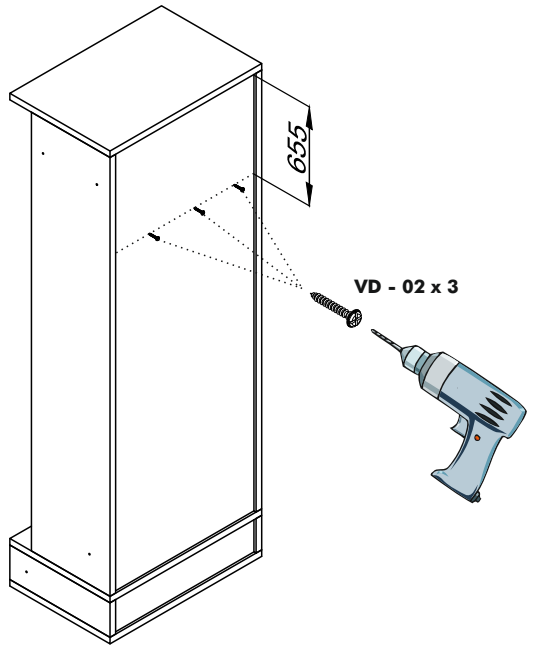


link

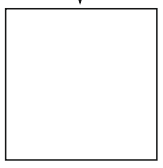
STEP 6



STEP 7



VIDEO

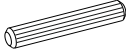


link

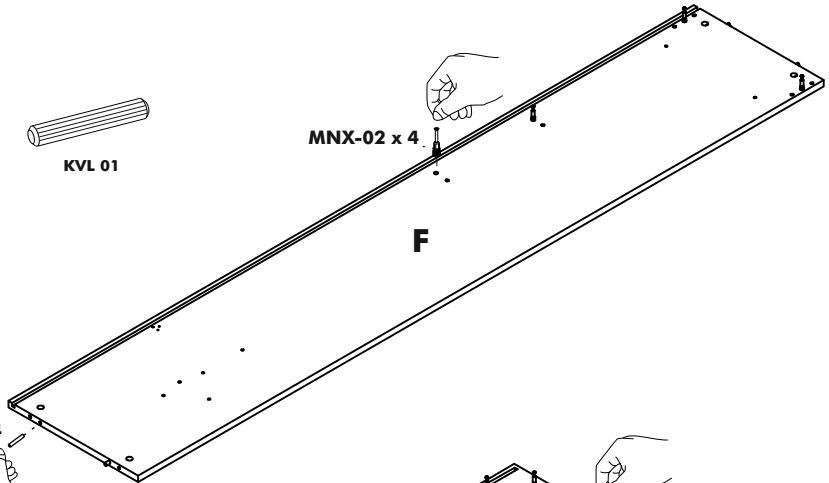
STEP 8



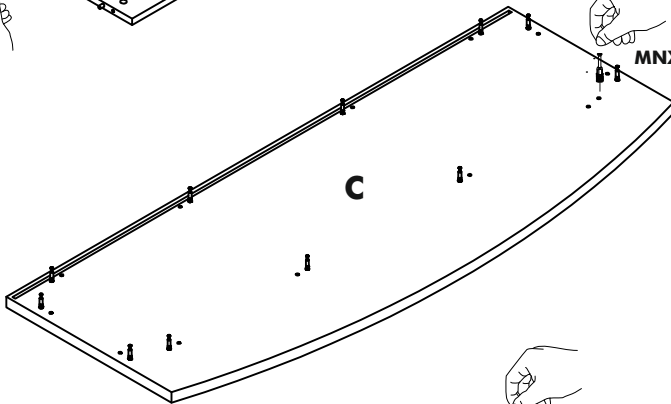
MNX - 02



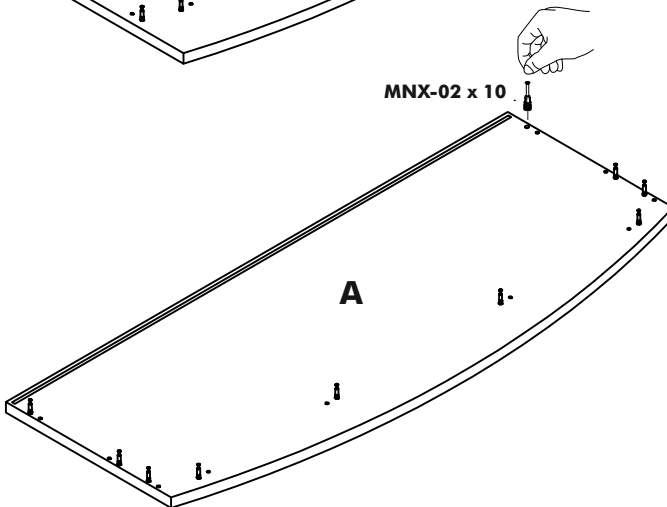
KVL 01



KVL-01 x 4

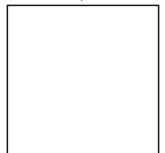


MNX-02 x 12



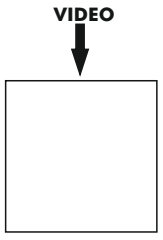
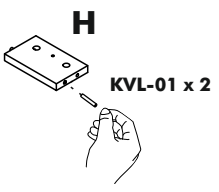
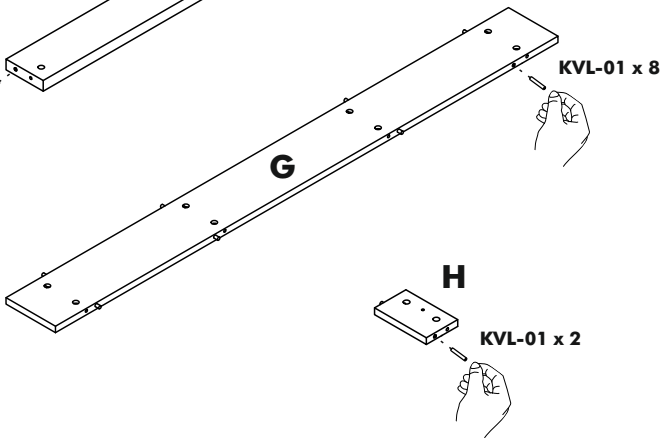
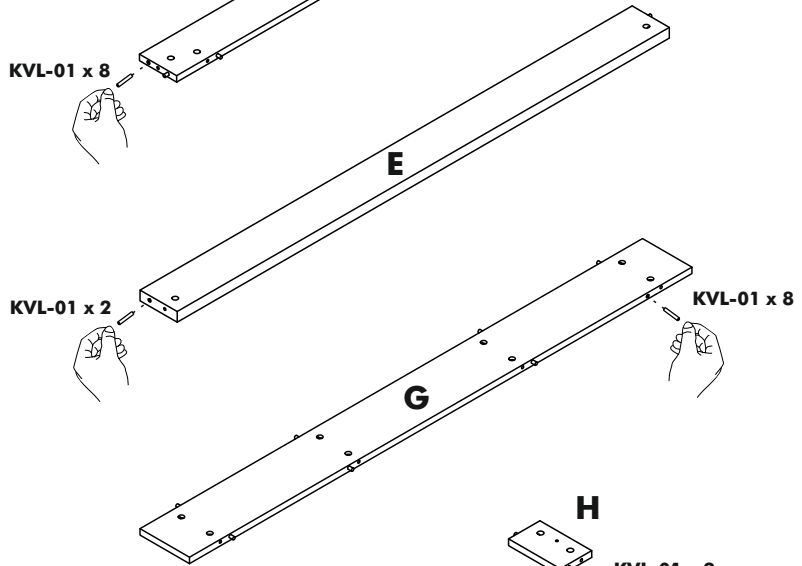
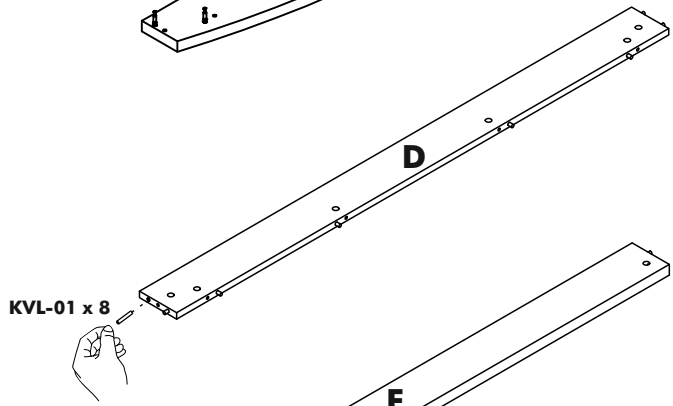
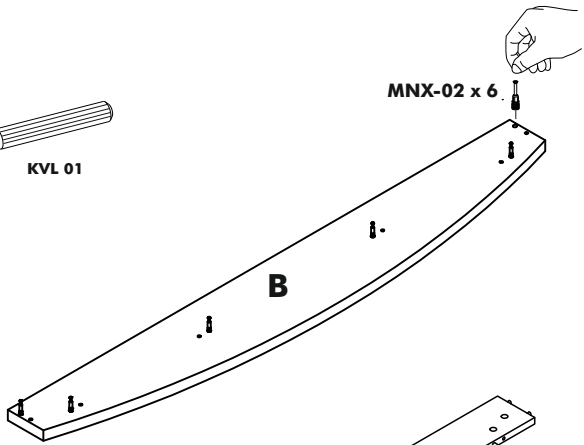
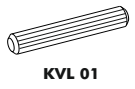
MNX-02 x 10

VIDEO

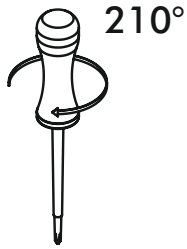


link

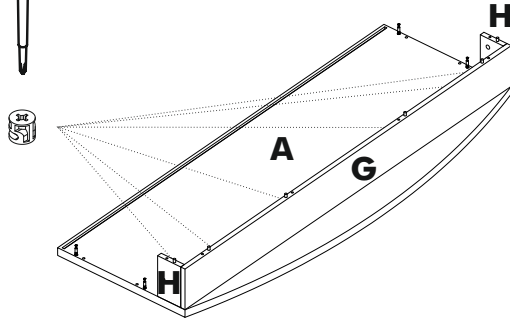
STEP 9



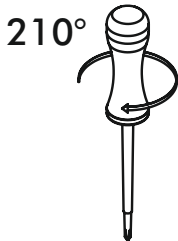
STEP 10



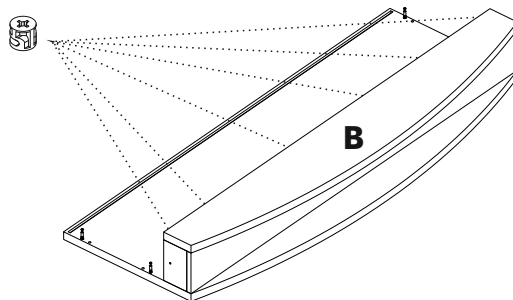
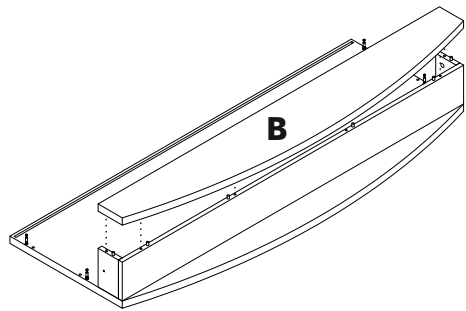
MNG - 01 x 6



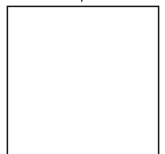
STEP 11



MNG - 01 x 6

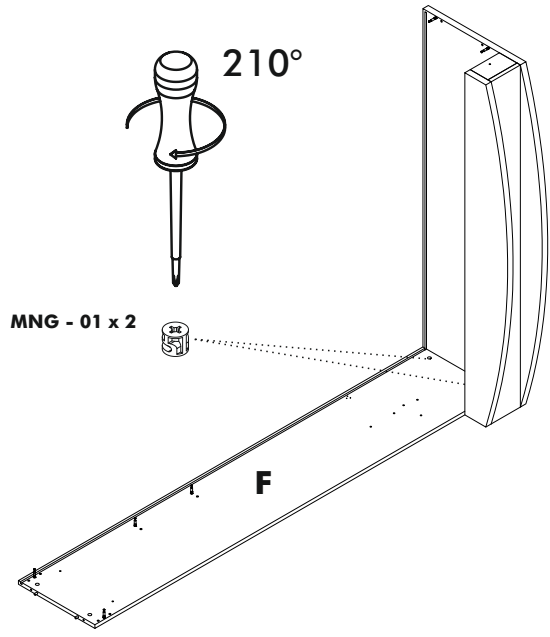


VIDEO

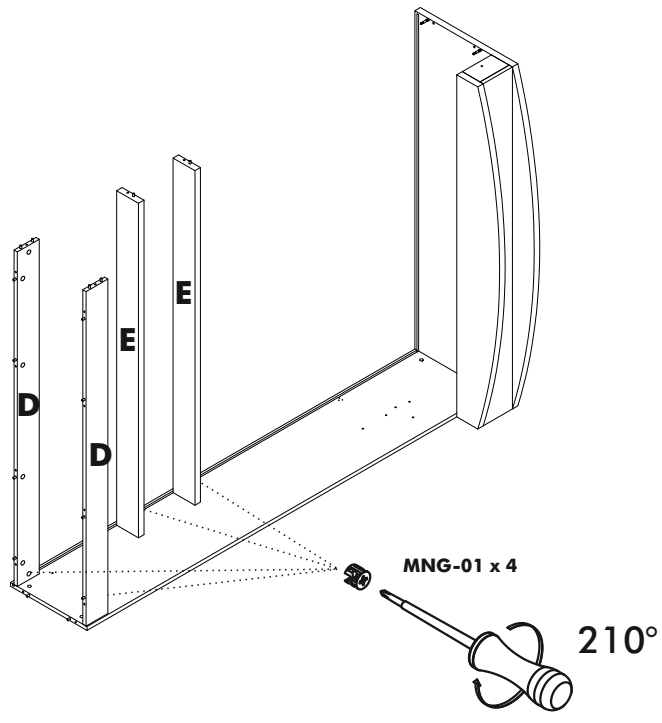


link

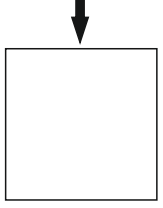
STEP 12



STEP 13

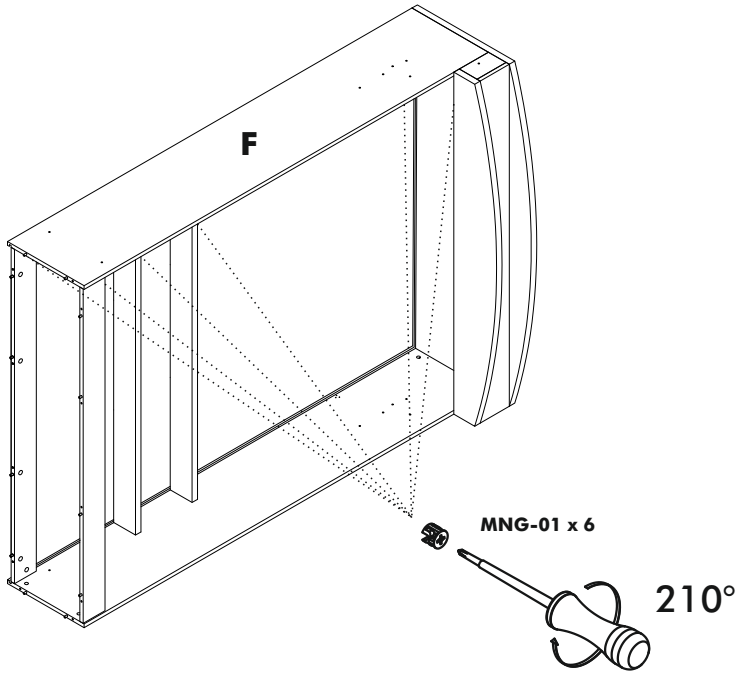


VIDEO

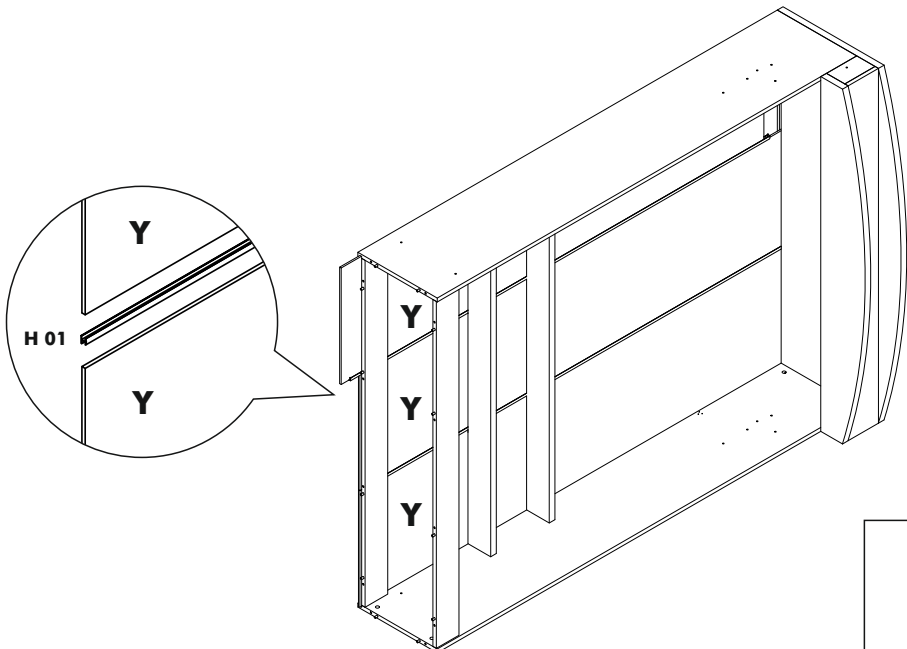


link

STEP 14



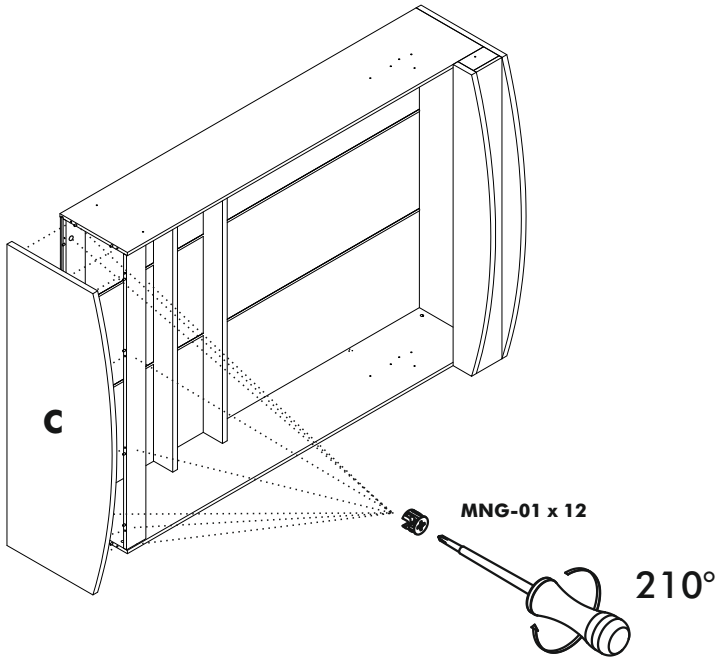
STEP 15



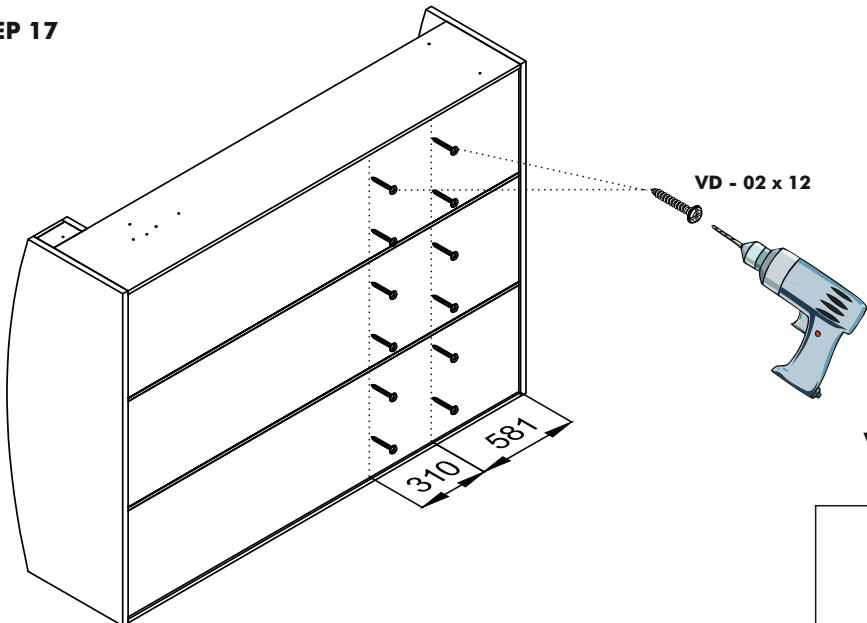
STEP 16



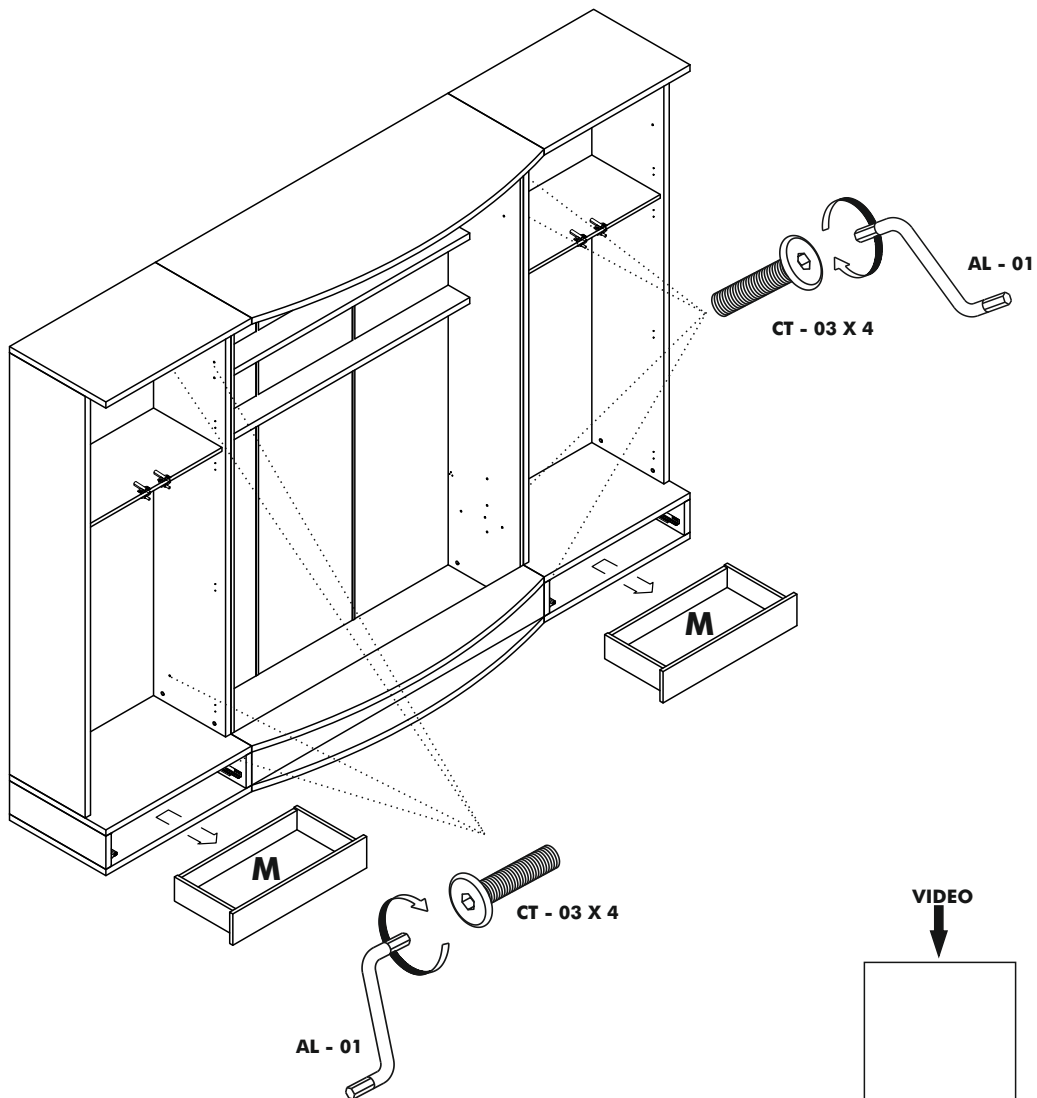
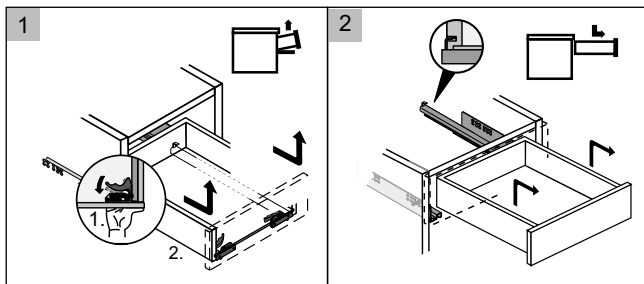
MNG - 01



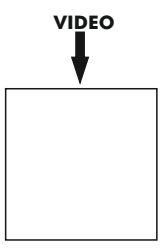
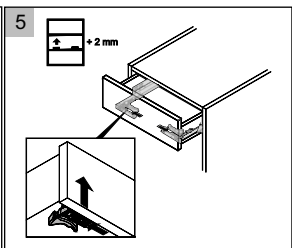
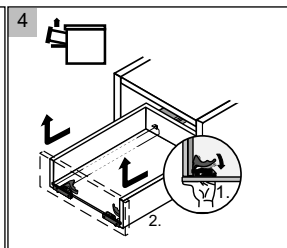
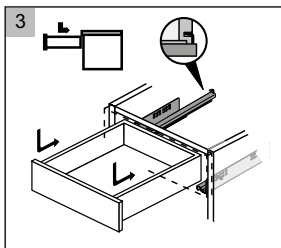
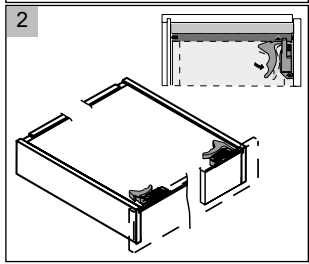
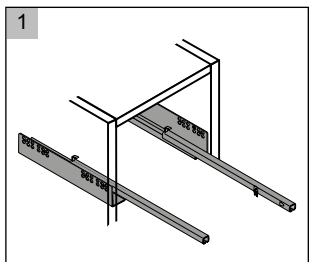
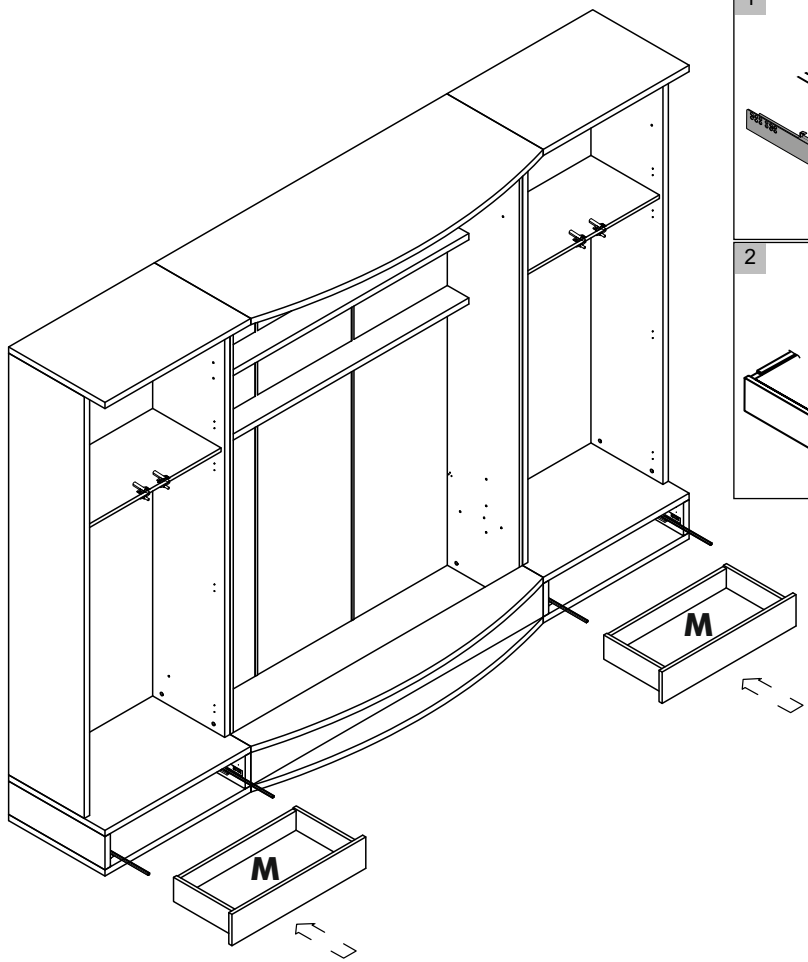
STEP 17



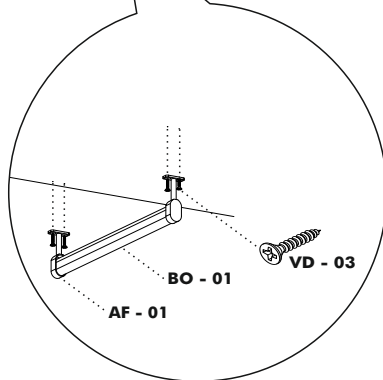
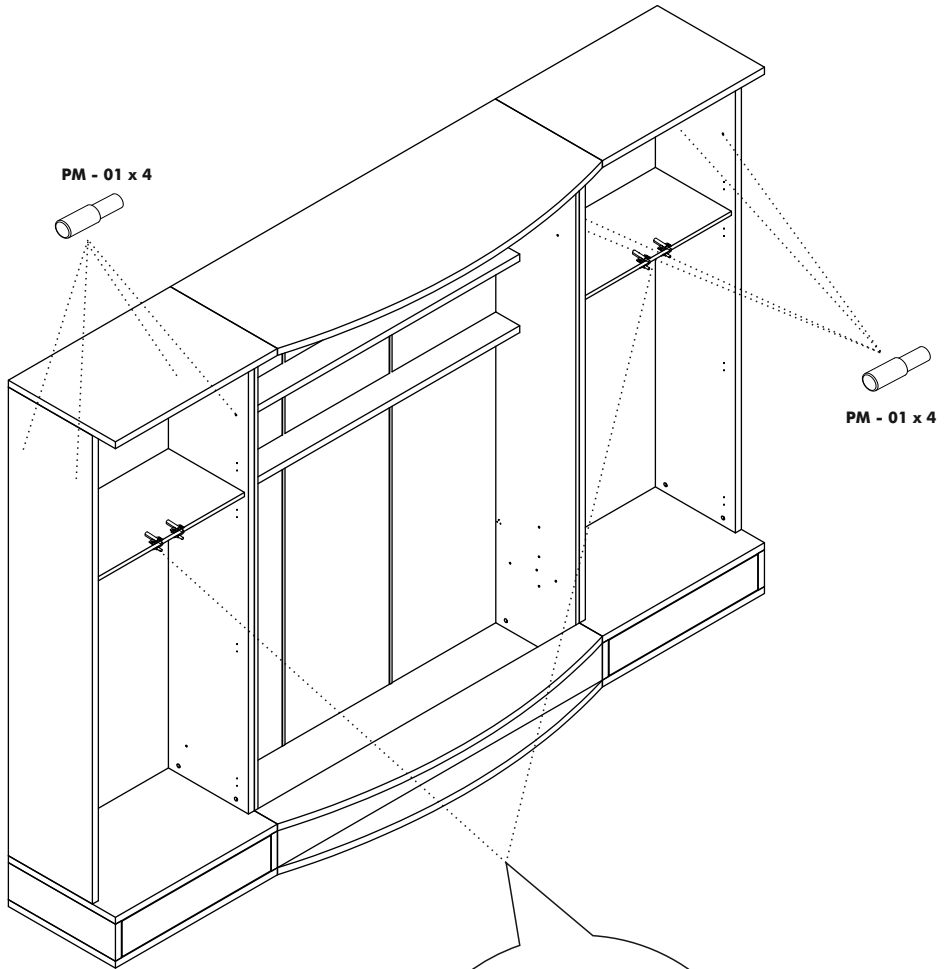
STEP 18



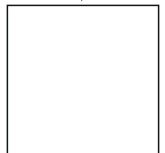
STEP 19



STEP 20

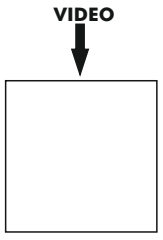
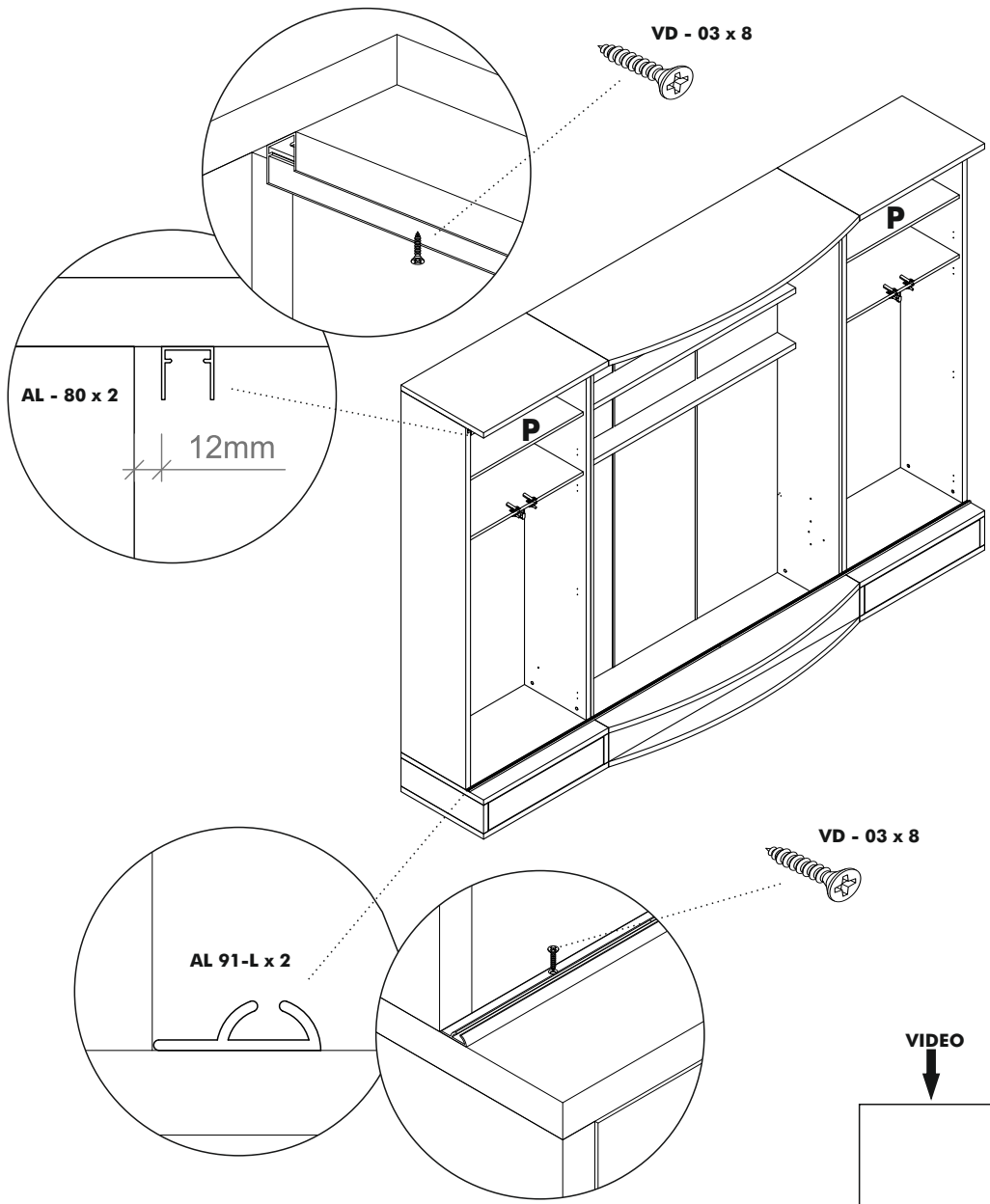


VIDEO

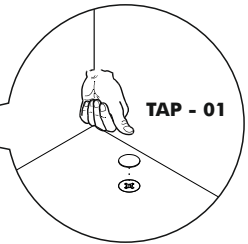
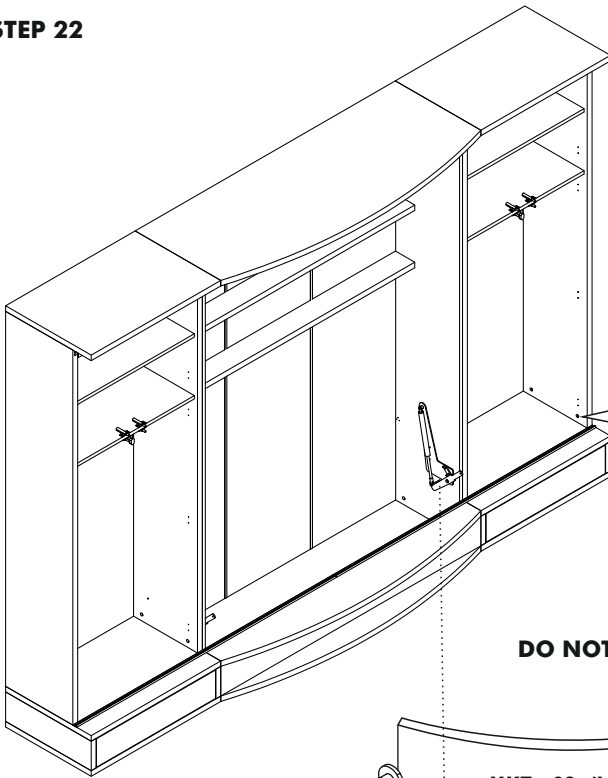


link

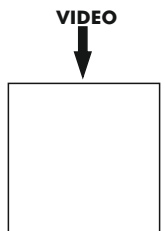
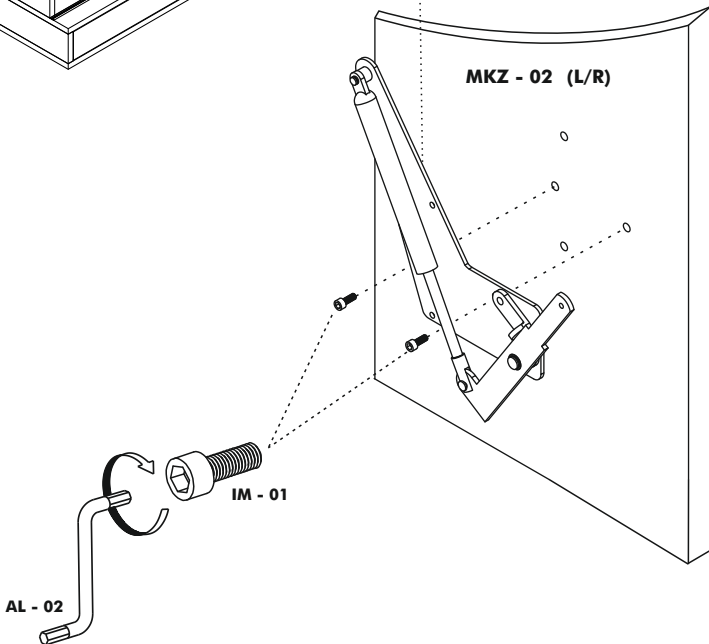
STEP 21



STEP 22

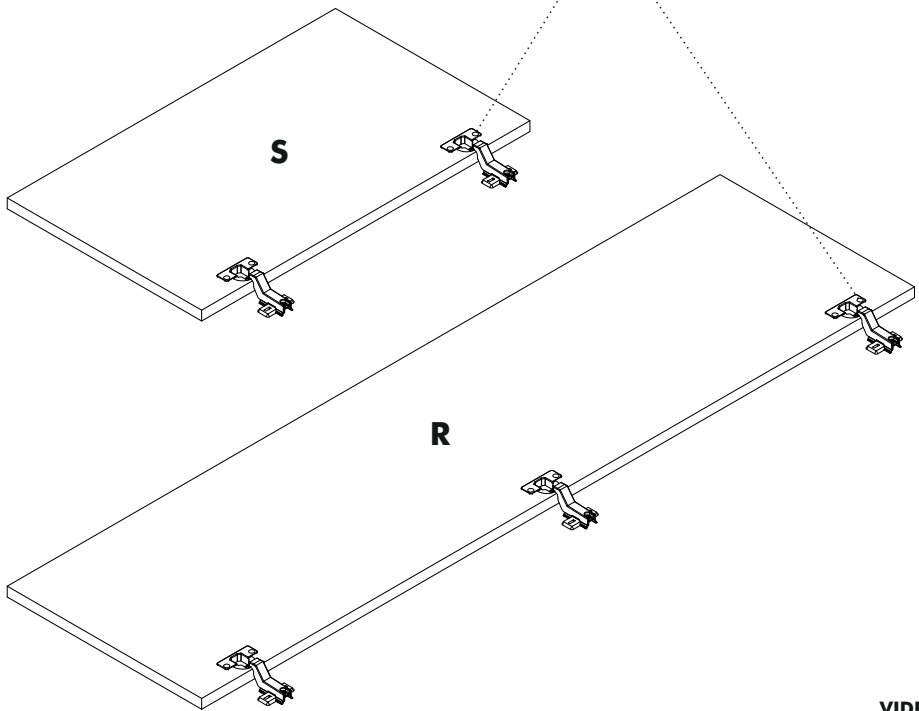
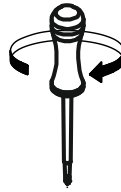
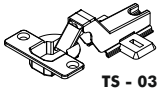


CAUTION
DO NOT UNLOCK BEFORE INSTALL

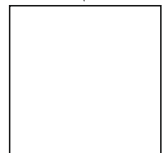


link

STEP 23

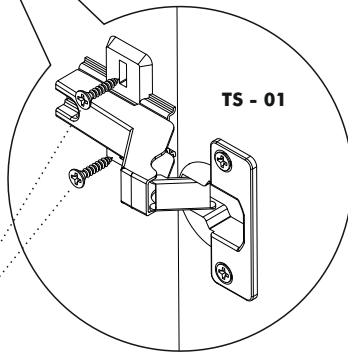
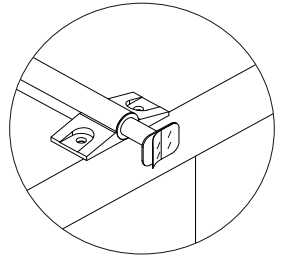
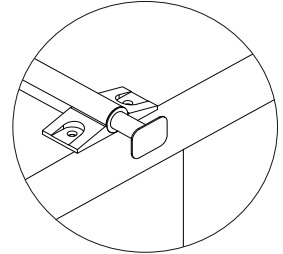
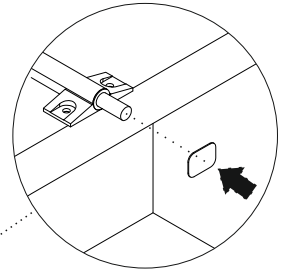
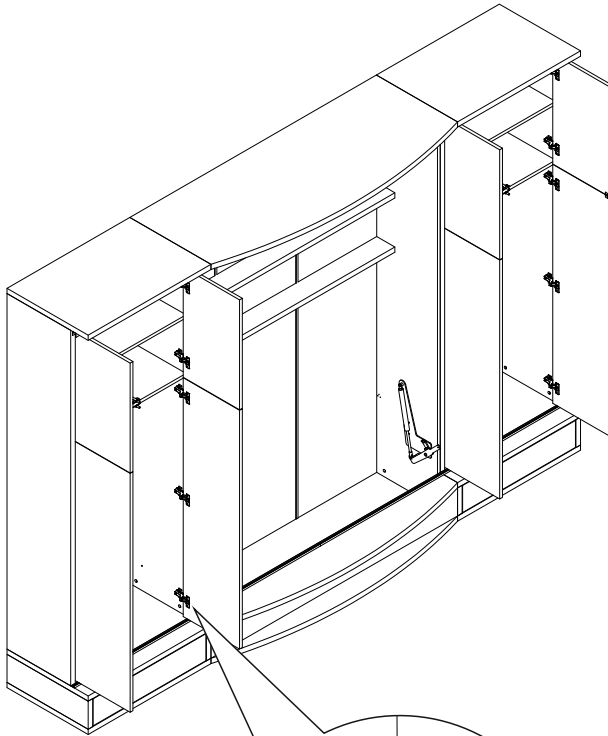


VIDEO

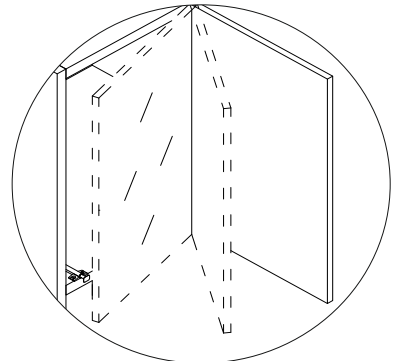
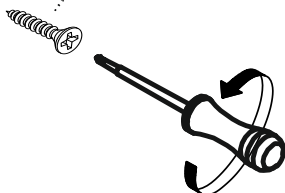


link

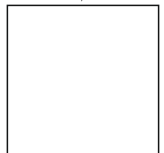
STEP 24



VD - 03 x 2

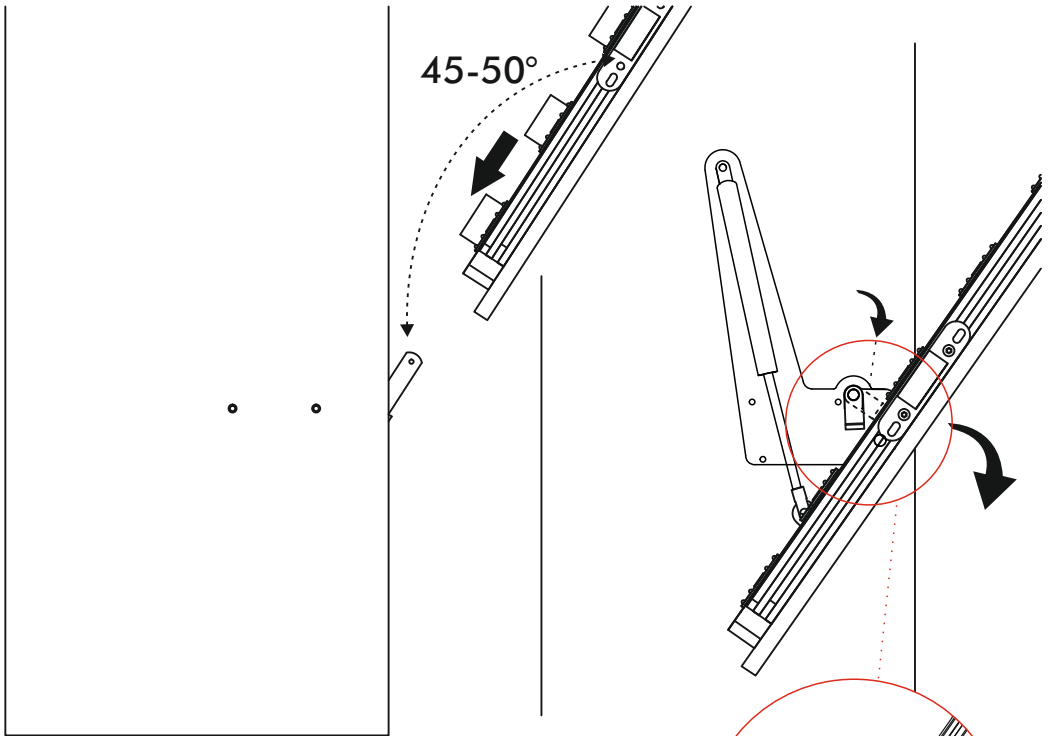


VIDEO

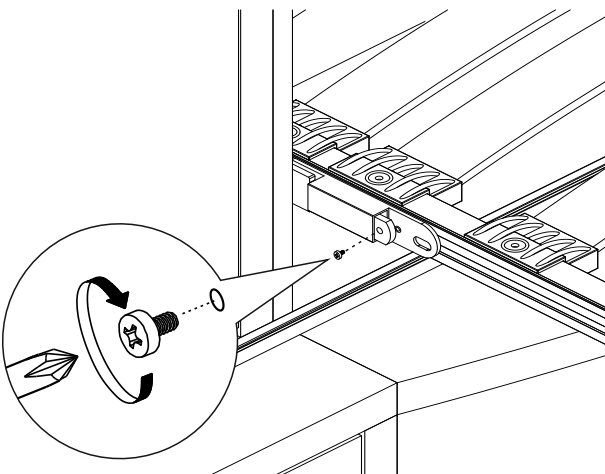


link

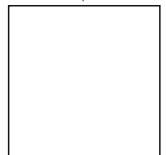
STEP 25



LET THE STOPPER LOCK MOVE DOWN !!!

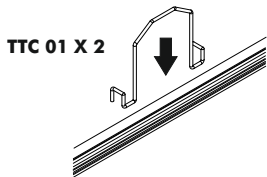
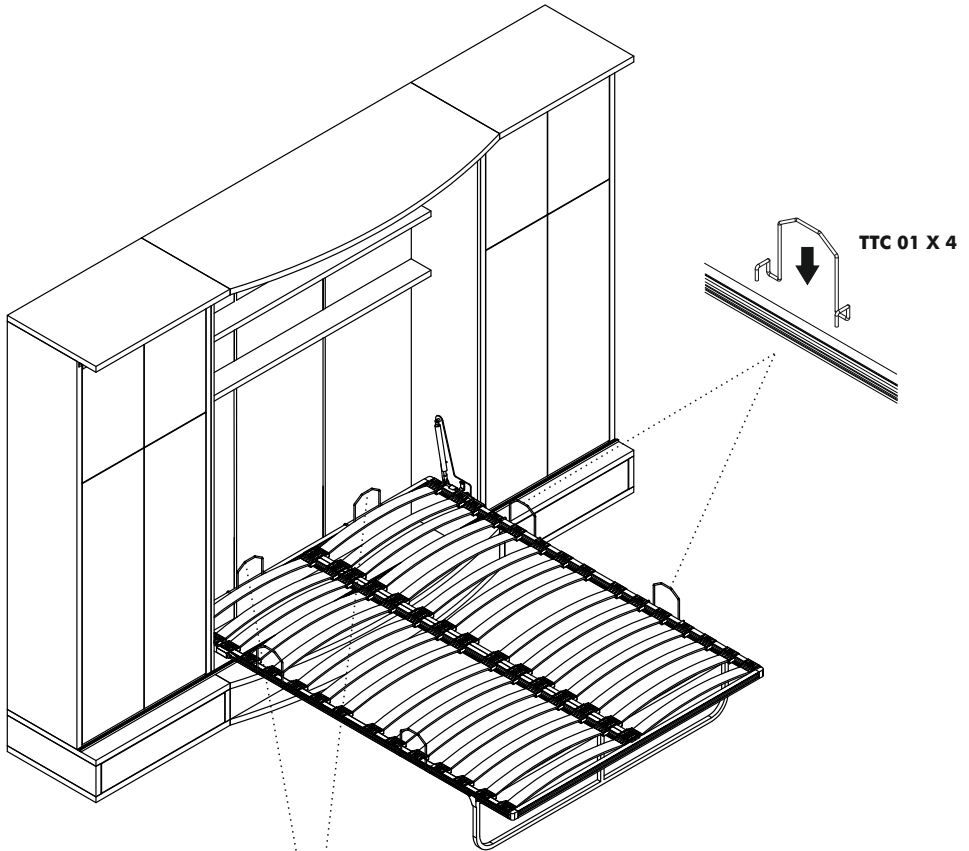


VIDEO

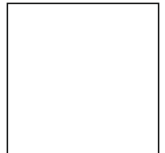


link

STEP 26

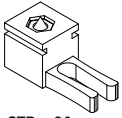


VIDEO
↓

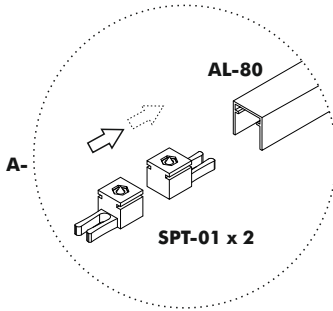


link

STEP 27



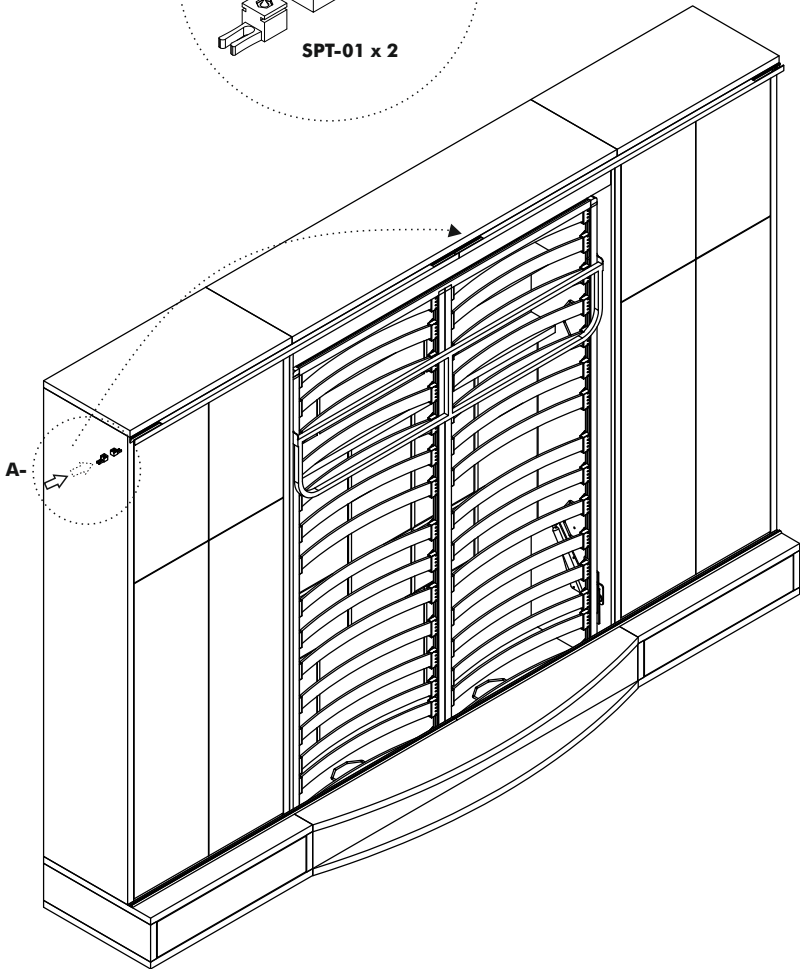
SPT - 01



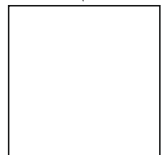
AL-80

A-

SPT-01 x 2

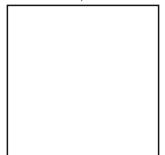
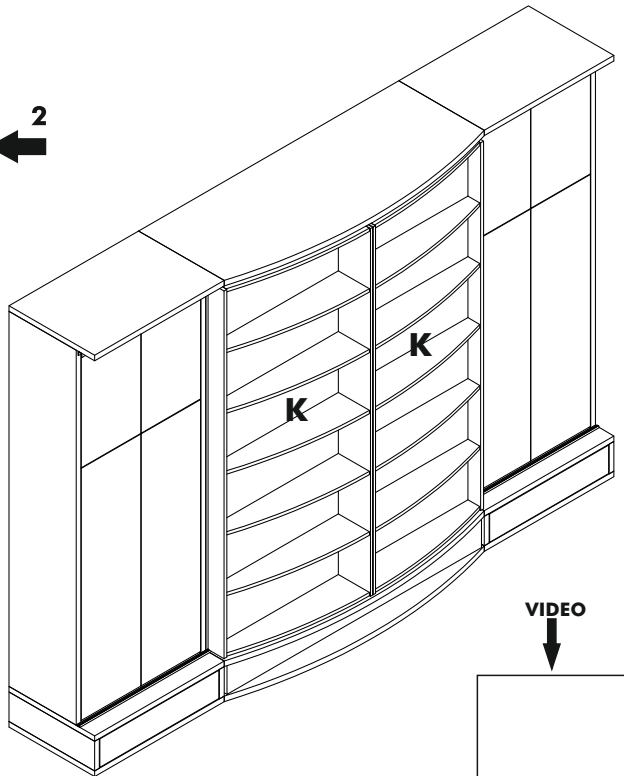
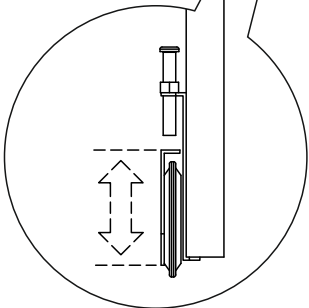
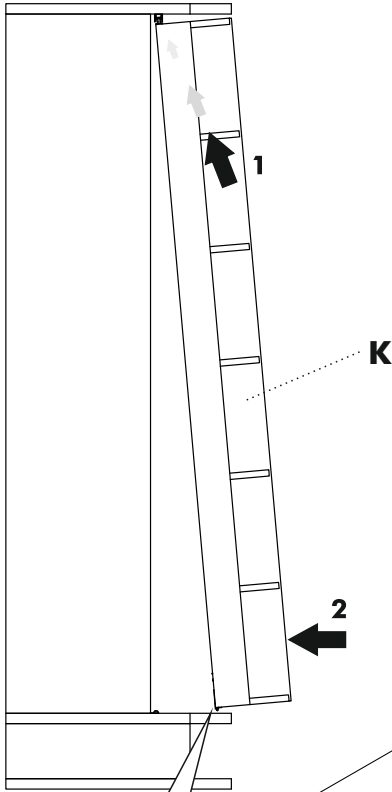


VIDEO

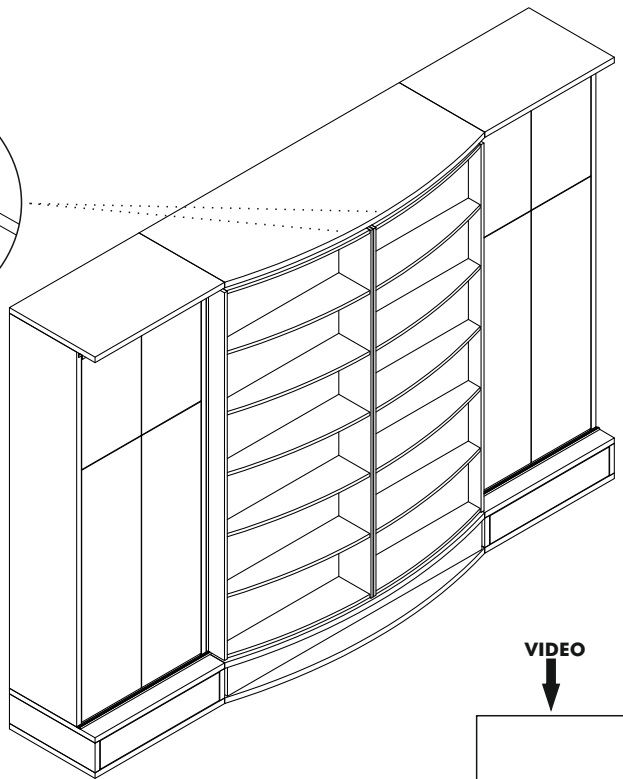
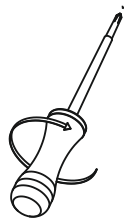
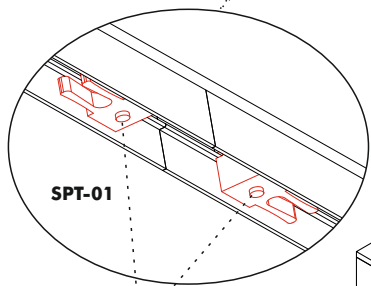
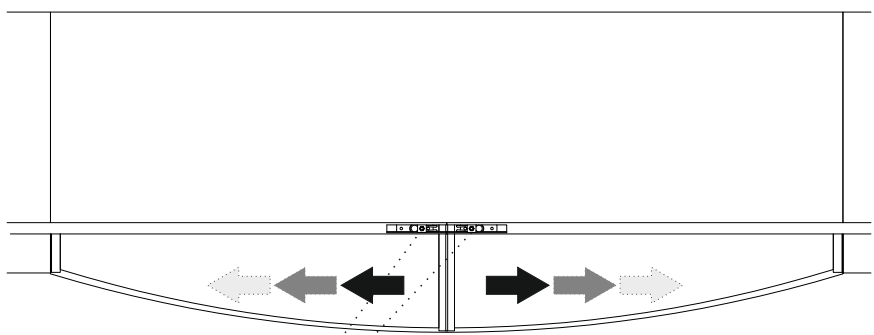


link

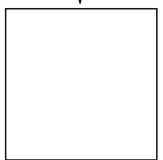
STEP 28



STEP 29

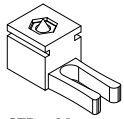


VIDEO
↓

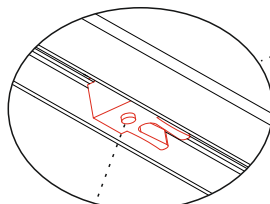
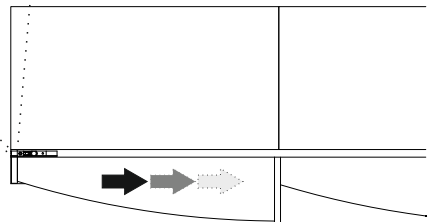
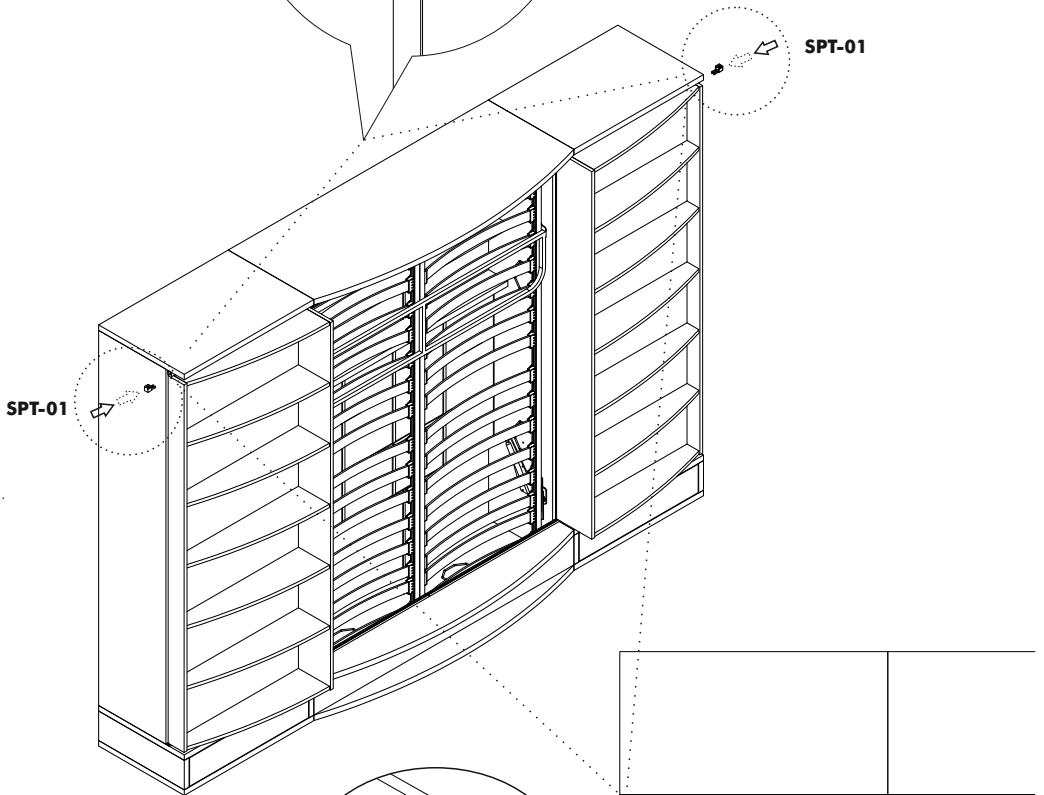
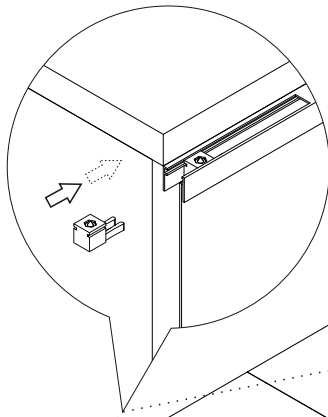


link

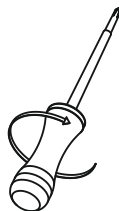
STEP 30



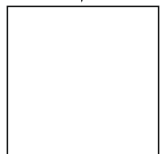
SPT - 01



SPT-01



VIDEO



link

ATTENTION / HOW TO / READ ME / OWNER'S GUIDE

1. When mounting on a regular drywall, furniture must be fastened to wood or metal studs. Solid walls made of brick, concrete or similar strong material are also acceptable. Do not mount furniture to paper-mache or sheet rock like material without properly affixing to stud.
2. For safety and product longevity you must periodically inspect the mounting and mechanical connections for integrity and tightness. Confirm hardware remains properly affixed and connections snug.
3. Wall Bed mattress thickness may not exceed 8 inch. Take care to remove pillows and excess blankets before closing. Doing so keeps mechanism free of obstruction and unnecessary stress.
4. Do not lean or rest heavy objects on side or top of furniture. This may cause balance issues and compromise the integrity of your mounting connections.
5. Please use the furniture's beds, desks and shelving as intended. Not designed to be sat, stood, leaned, jumped (etc) on. Improper use may cause personal injury and damage to property.
6. With seasonal humidity change you must inspect interior and exterior of furniture.
7. Single, Twin, Twin XL beds accommodate the weight of one person. Improperly sleeping more than one person risks injury to person and damage to property.
8. Before any un-mounting or disassembly please contact Multimo for technical support and instruction. Failure to properly detach risks injury to person and damage to property.
9. For Bunk Beds:
 - a. Always use provided ladder when accessing top bunk.
 - b. Be slow, careful and aware of surroundings when opening top bunk.
 - c. Do not horseplay. Beds are to be slept on only.
 - d. Some have legs that fully extend when open- be aware of where the leg is and will be.



MULTiMO

www.multimo.com