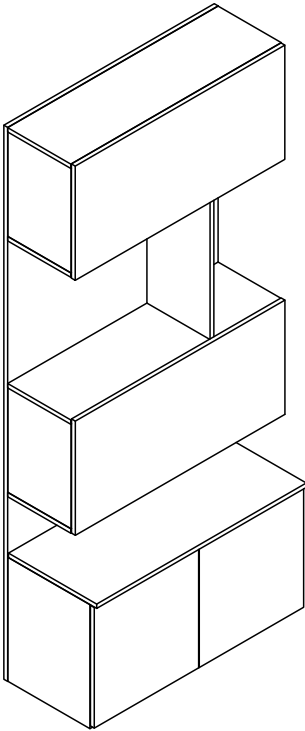




MULTIMO

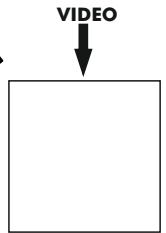
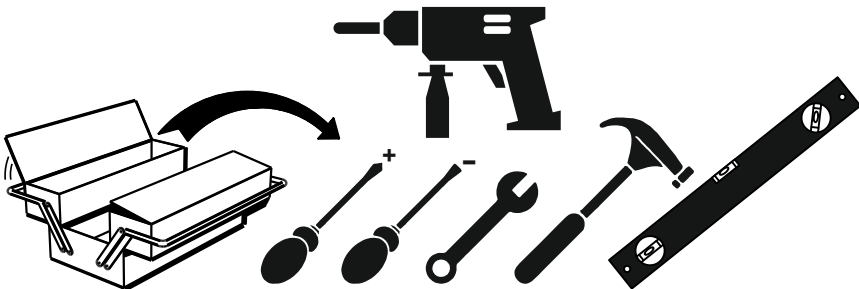
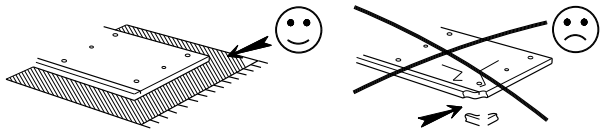
218-1 ROYAL FOLLY BOOKCASE



50 min.
Technical Service

A clock icon with a circular arrow around it, and two stylized human figures representing people.

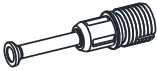

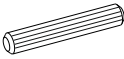

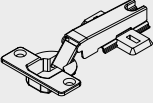
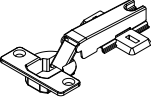
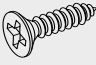
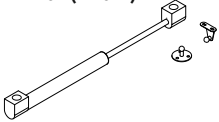
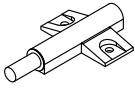
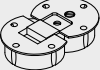
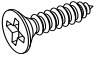
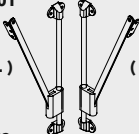
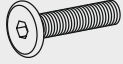
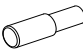


110 min.
End User

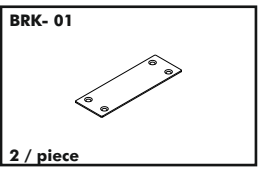
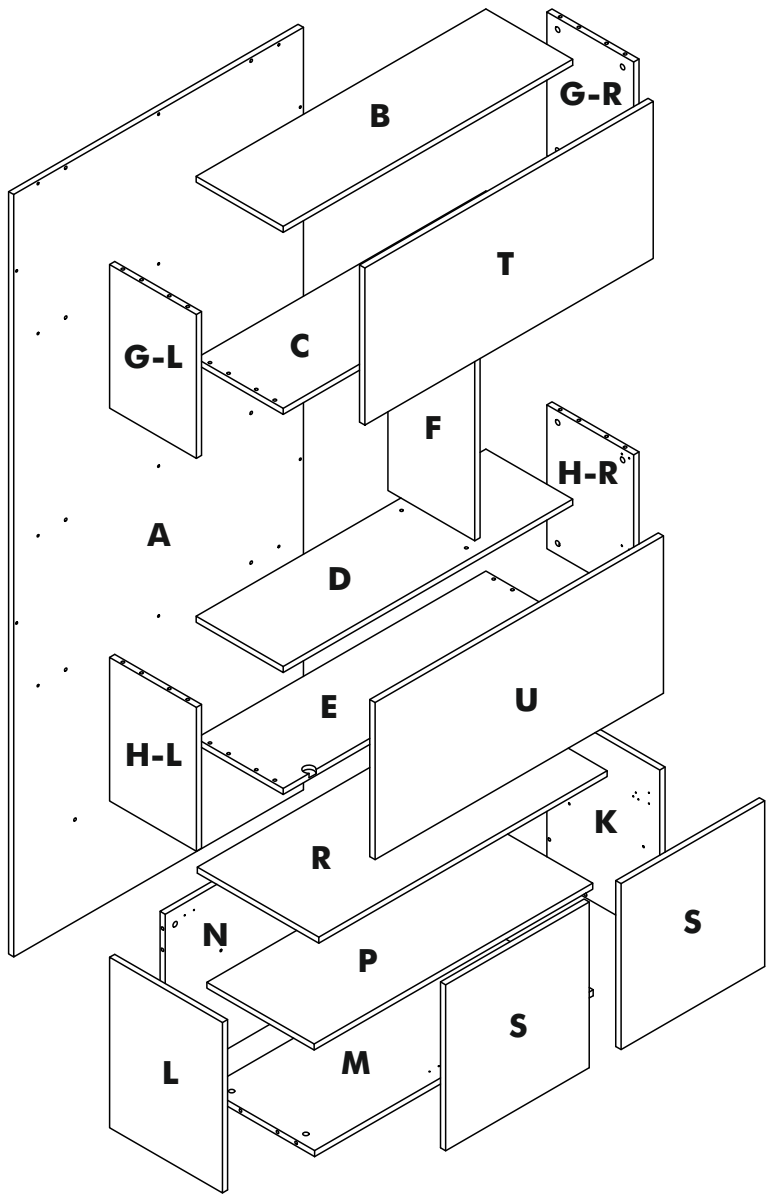
A clock icon with a circular arrow around it, and two stylized human figures representing people.

link

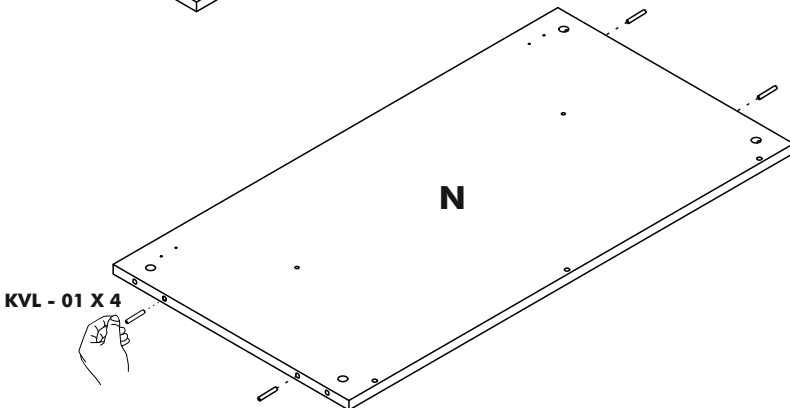
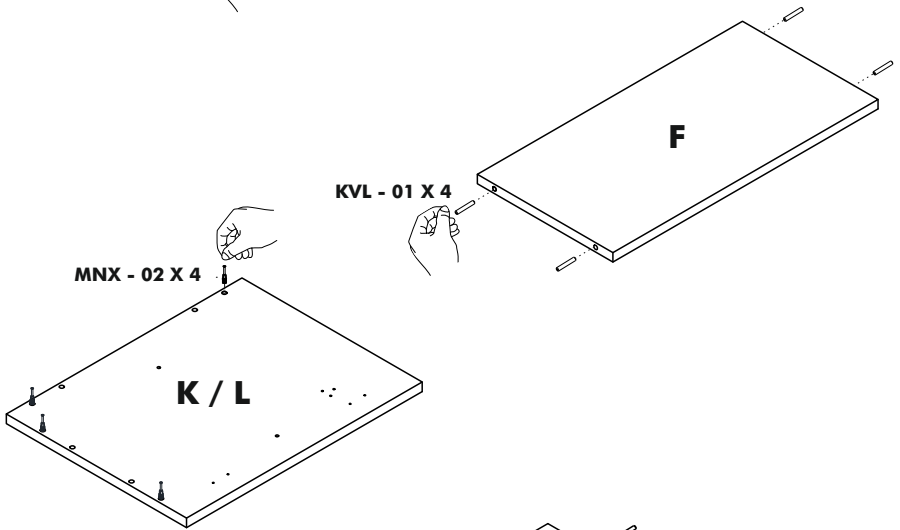
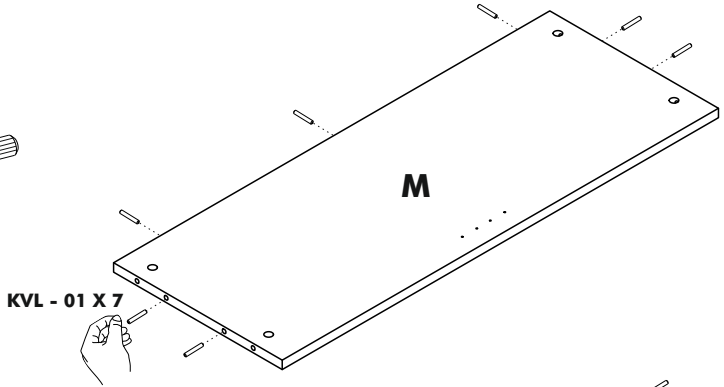
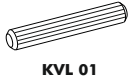
Track Title	Piece	(inch)			(mm)			
		Thickness	Length	Width	Piece	Thick	Height	Most
A	1	0,71	89,76	39,37	1	18 mm	2280	1000
B	1	0,71	39,37	11,81	1	18 mm	1000	300
C	1	0,71	39,37	11,81	1	18 mm	1000	300
D	1	0,71	39,37	11,81	1	18 mm	1000	300
E	1	0,71	39,37	11,81	1	18 mm	1000	300
F	1	0,71	23,11	11,81	1	18 mm	587	300
G-R / G-L	2	0,71	16,93	11,81	2	18 mm	430	300
H-R / H-L	2	0,71	16,93	11,81	2	18 mm	430	300
K	1	0,71	20,08	11,81	1	18 mm	510	300
L	1	0,71	20,08	11,81	1	18 mm	510	300
M	1	0,71	37,87	14,65	1	18 mm	962	372
N	1	0,71	20,08	37,87	1	18 mm	510	962
P	1	0,71	37,87	14,57	1	18 mm	962	370
R	1	0,71	39,06	16,50	1	18 mm	992	419
S	2	0,71	19,53	19,53	2	18 mm	496	496
T	1	0,71	18,50	39,21	1	18 mm	470	996
U	1	0,71	18,50	39,21	1	18 mm	470	996

Accessories List

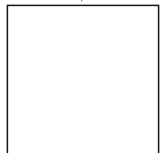
MXN 02  24 / piece	MNG - 01  24 / piece	KVL 01  39 / piece	TAP - 01  24 / piece
TS - 01  4 / piece	TS - 01 (spring hinges)  4 / piece	VD - 03 (3,5x18) mm  65 / piece	AMR - 01 (120N)  3 / piece
BS - 01  2 / piece	DKM - 01  2 / piece	VD - 07 (3x16) mm  12 / piece	DKM - 01  1 / piece
CT - 02 (6x30) mm  2 / piece	PM - 01  4 / piece	VDA - 01 (6,5x50) mm  16 / piece	VTB - 01 (4,8x16) mm  8 / piece



STEP 1

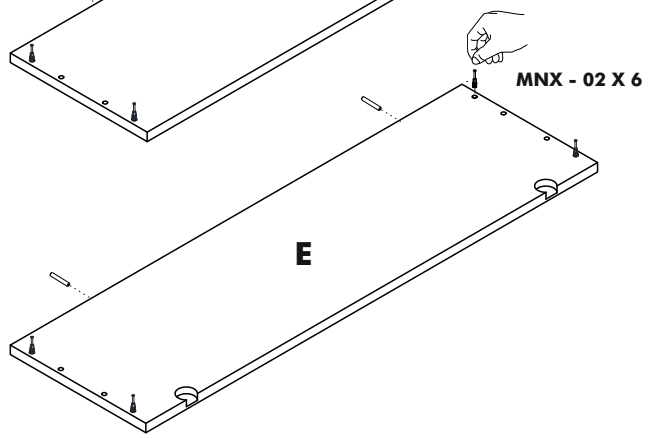
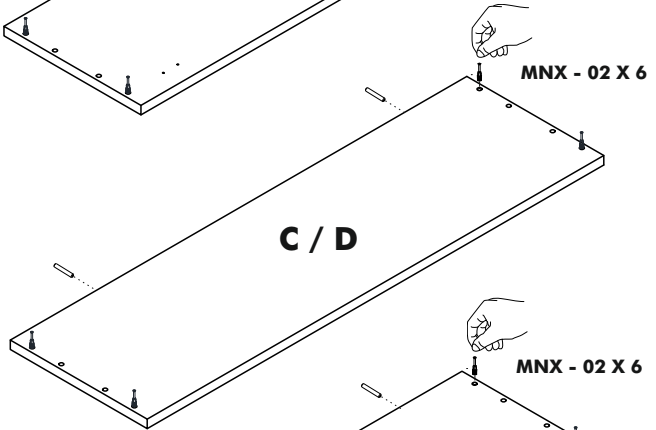
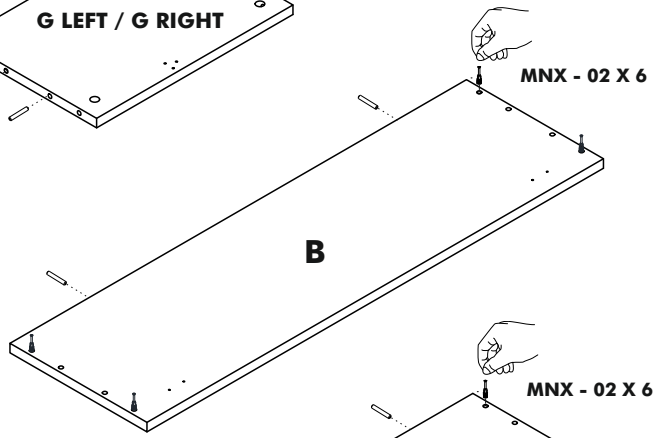
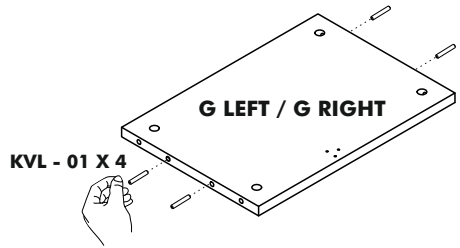
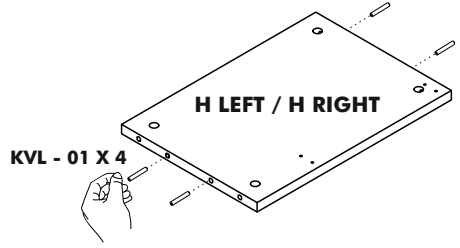
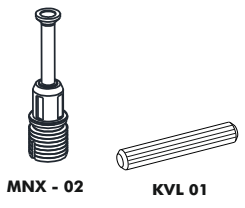


VIDEO

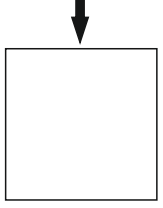


link

STEP 2

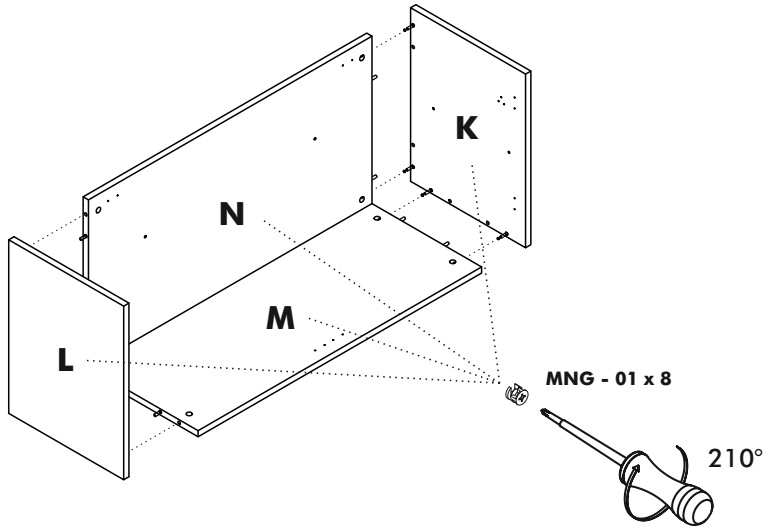


VIDEO

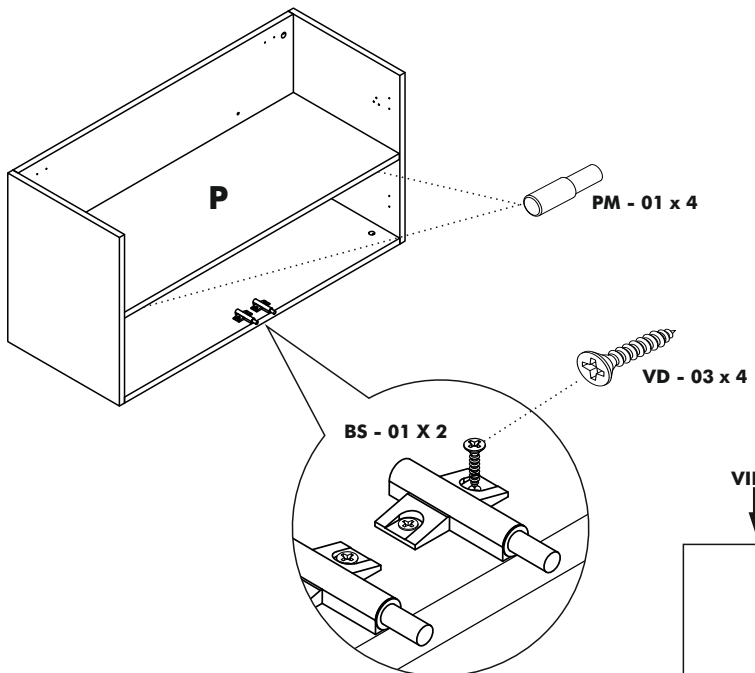
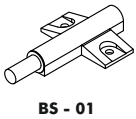


link

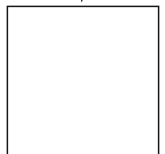
STEP 3



STEP 4

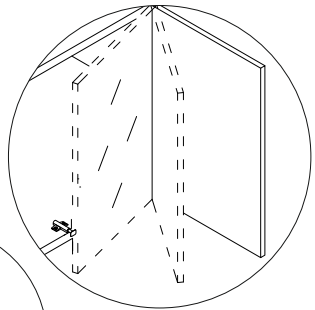
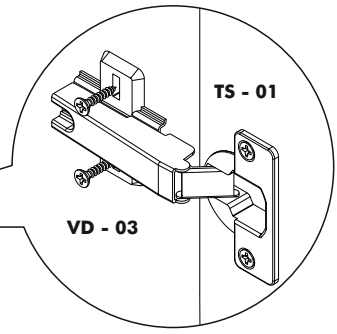
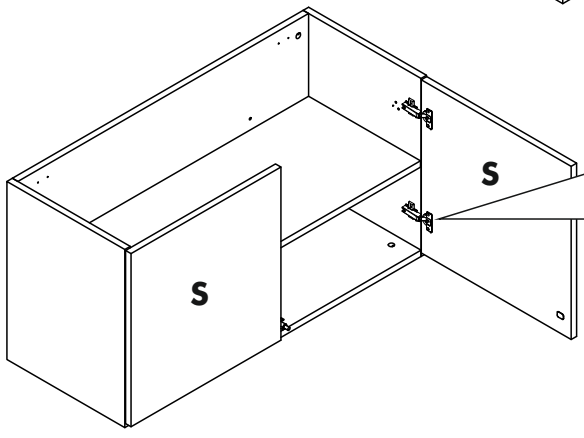
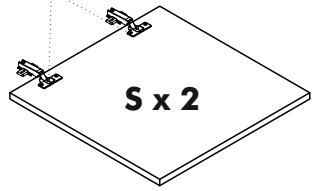
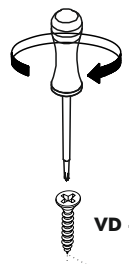
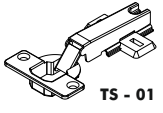


VIDEO

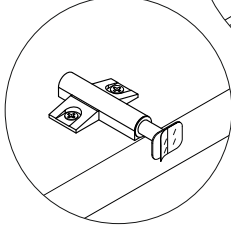
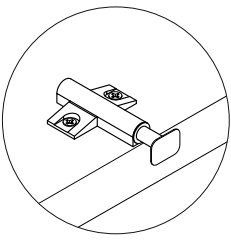
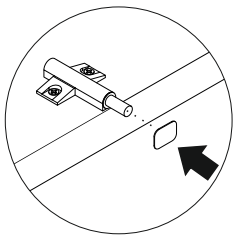


link

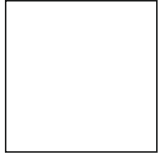
STEP 5



Yapıştırırmadan önce, yüzeyin tozlu olmamasına dikkat edin.
Before sticking , make sure that the surface is not dusty.

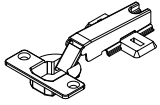


VIDEO

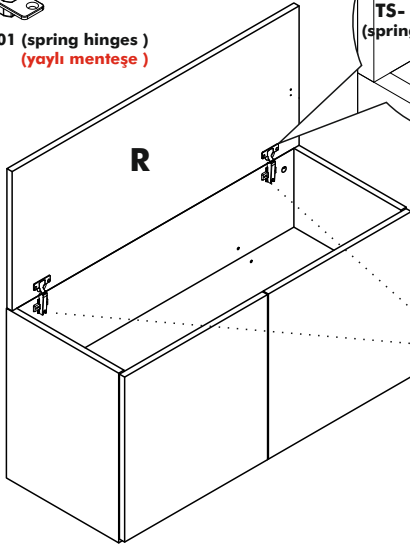


link

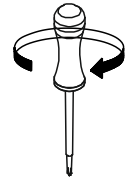
STEP 6



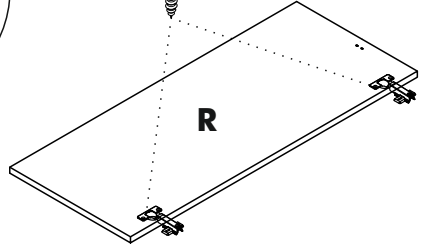
TS - 01 (spring hinges)
(yaylı menteşe)



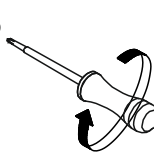
TS - 01 x 2
(spring hinges)



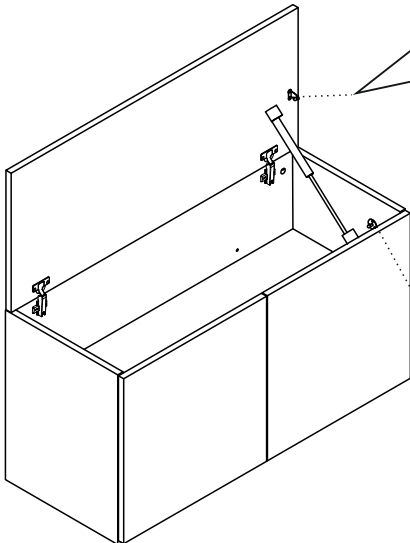
VD - 03 X 4



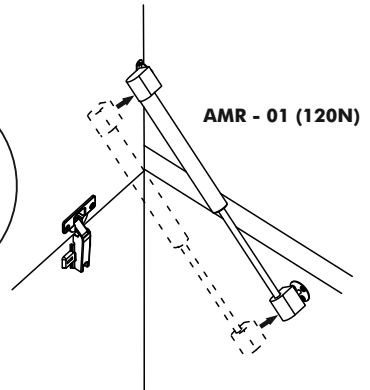
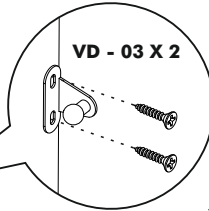
VD - 03 X 4



STEP 7

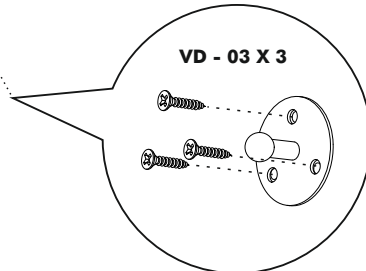


VD - 03 X 2

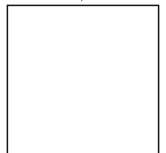


AMR - 01 (120N)

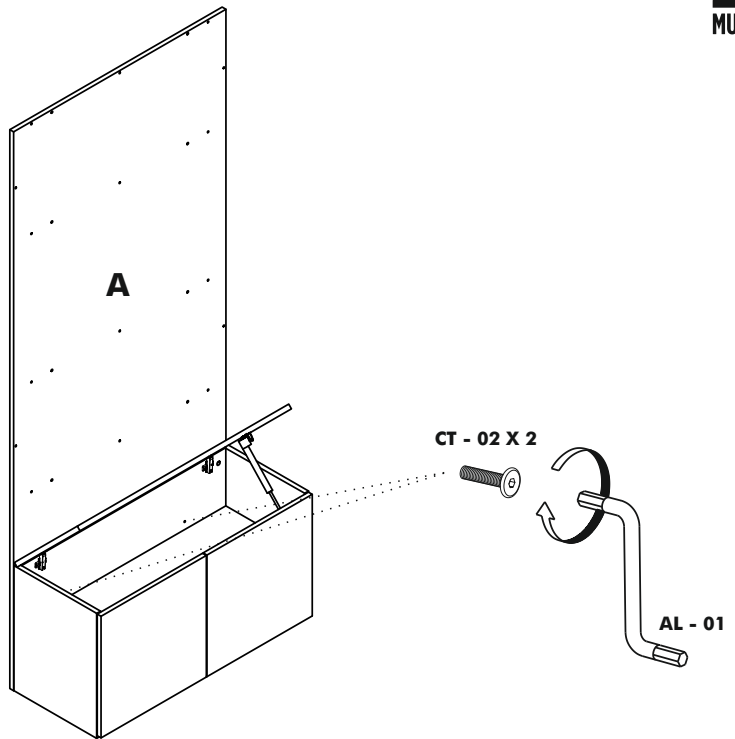
VD - 03 X 3



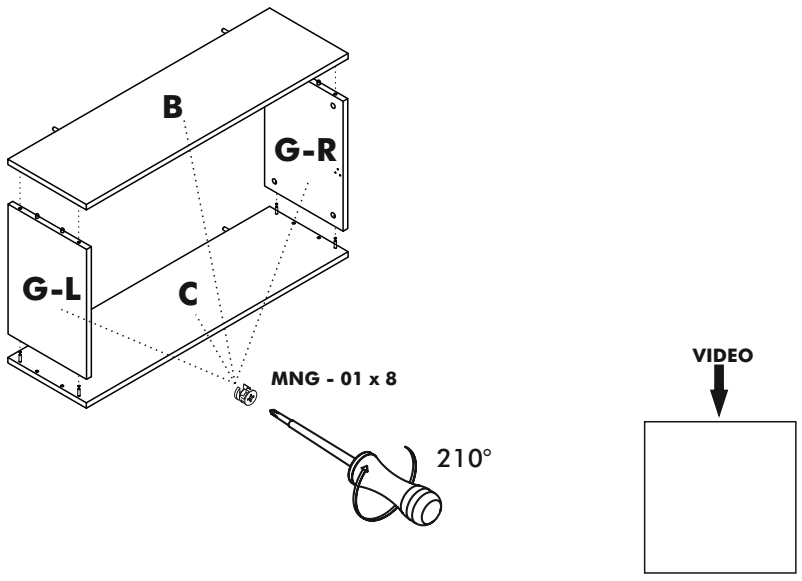
VIDEO



STEP 8



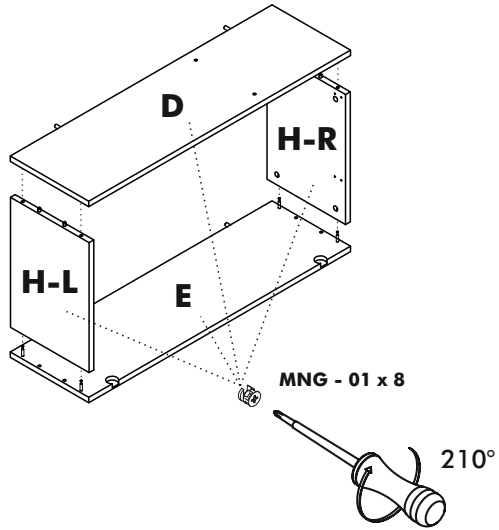
STEP 9



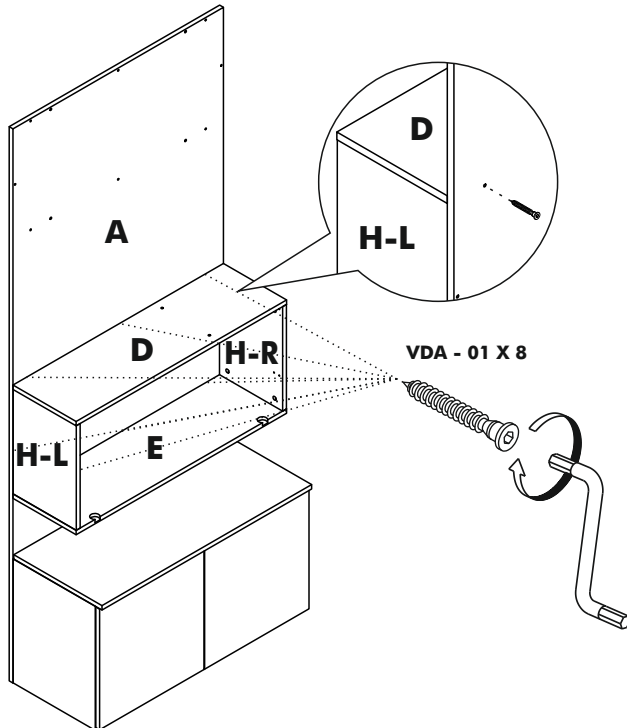
STEP 10



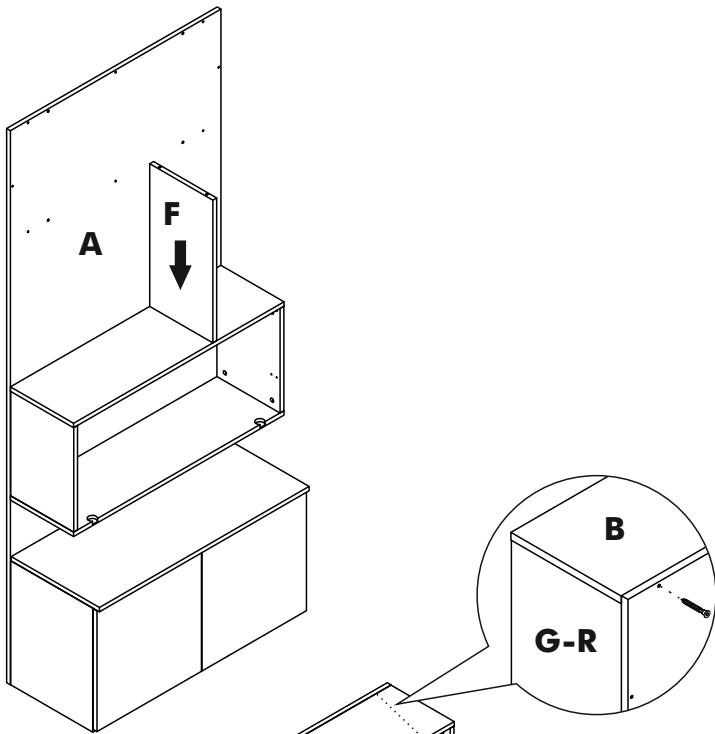
MNG - 01



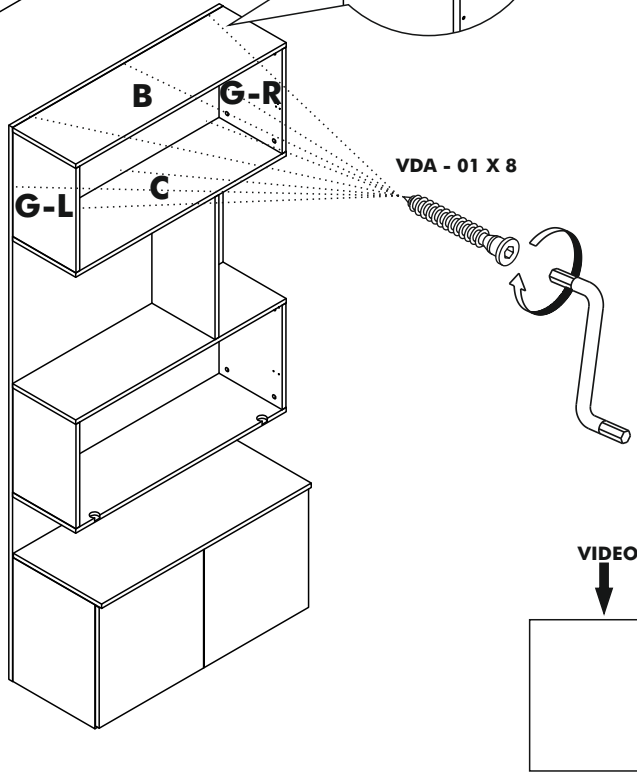
STEP 11



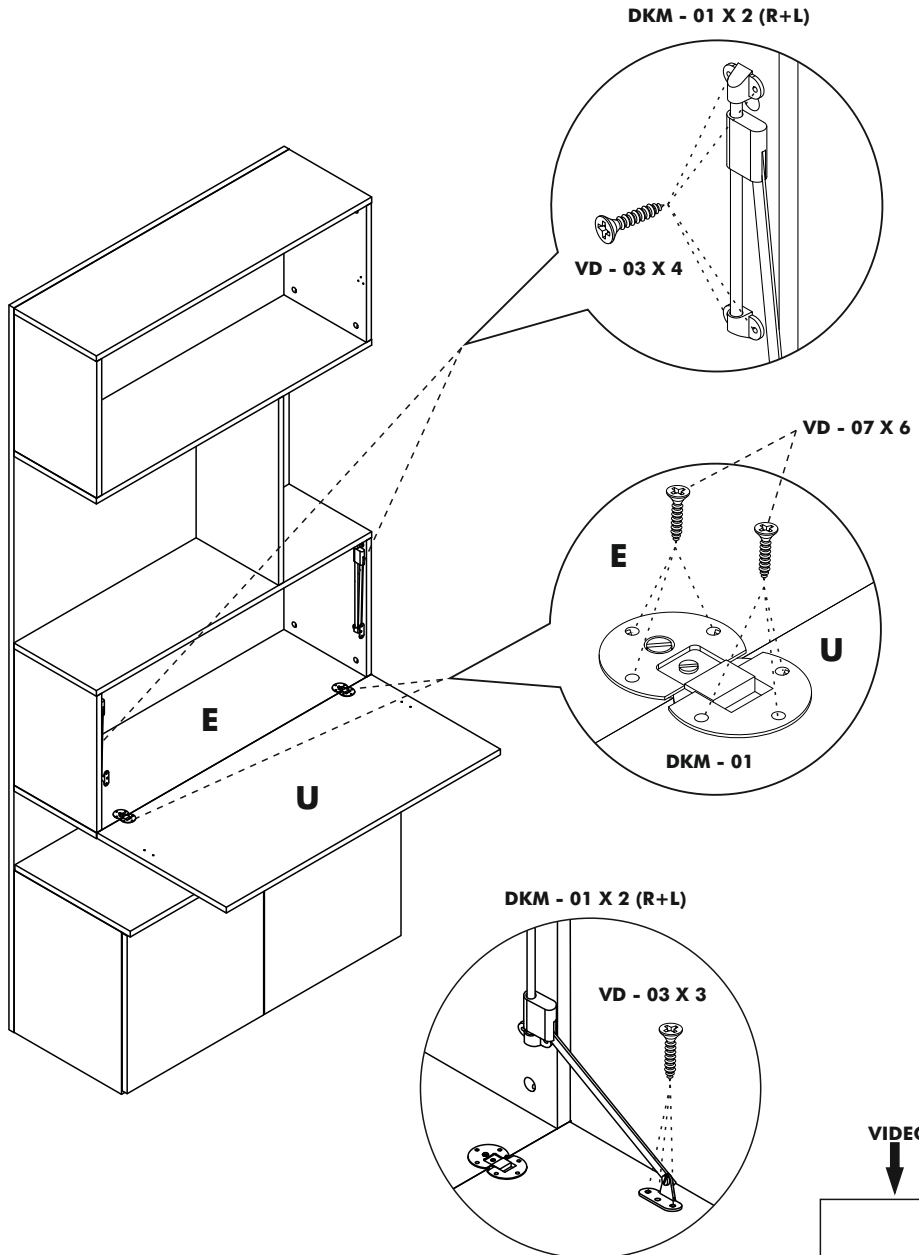
STEP 12



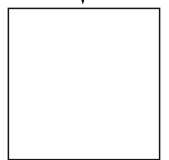
STEP 13



STEP 14

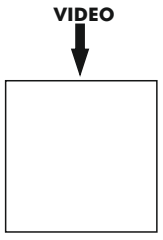
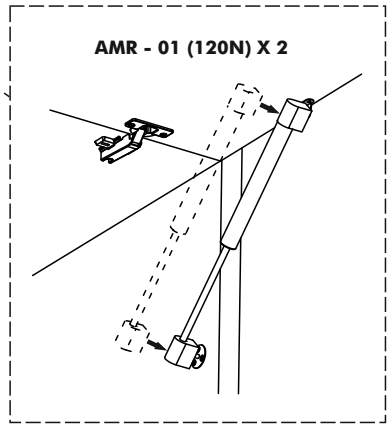
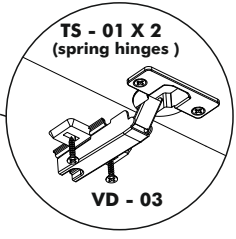
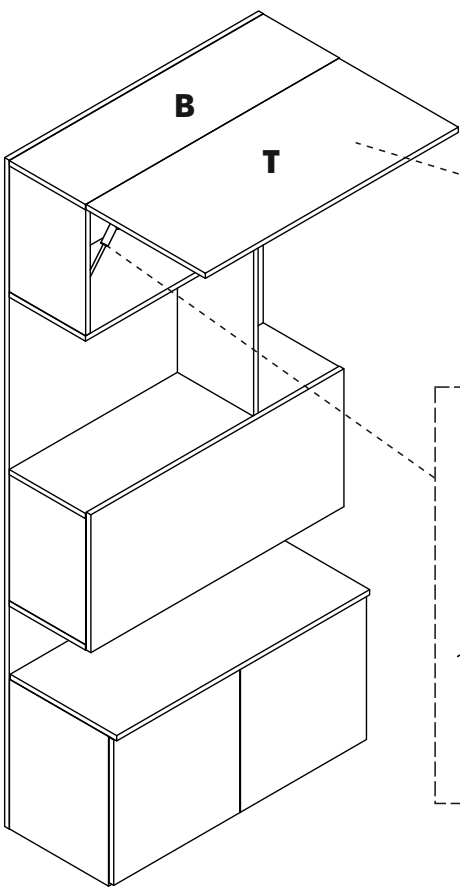
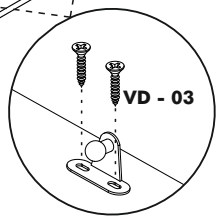
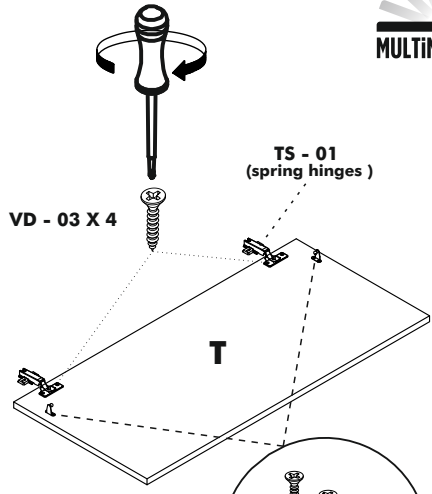
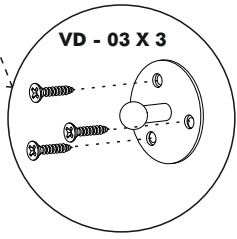
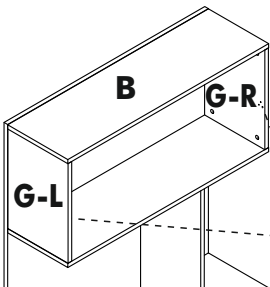


VIDEO
↓

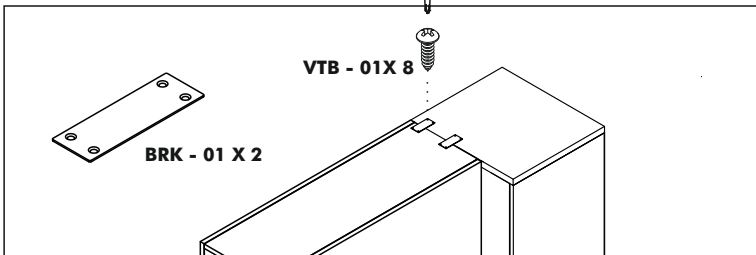
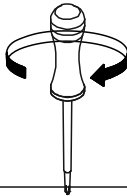
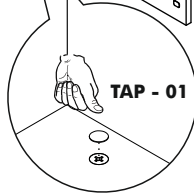
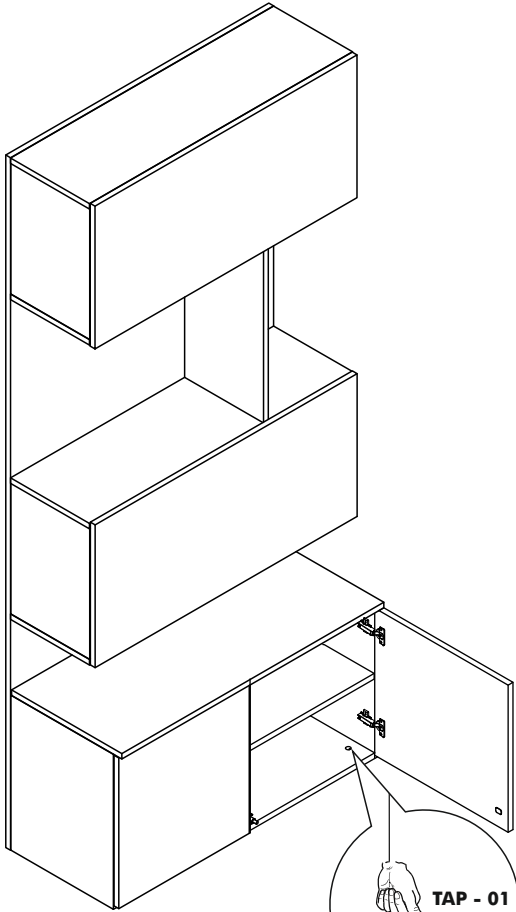


link

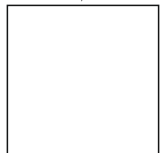
STEP 15



STEP 16



VIDEO



link

ATTENTION / HOW TO / READ ME / OWNER'S GUIDE

1. When mounting on a regular drywall, furniture must be fastened to wood or metal studs. Solid walls made of brick, concrete or similar strong material are also acceptable. Do not mount furniture to paper-mache or sheetrock (plasterboard) like material without properly fixing to stud.

2. For safety and product longevity you must periodically inspect the mounting and mechanical connections for integrity and tightness. Confirm hardware remains properly affixed and connections snug.

3. Wall Bed mattress thickness may not exceed 8 inches (200mm). Take care to remove pillows and excess blankets before closing. Doing so keeps mechanism free of obstruction and unnecessary stress.

4. Do not lean or rest heavy objects on side or top of furniture. This may cause balance issues and compromise the integrity of your mounting connections.

5. Please use the furniture's beds, desks and shelving as intended. Not designed to be sat, stood, leaned, jumped (etc) on. Improper use may cause personal injury and damage to property.

6. With seasonal humidity change you must inspect interior and exterior of furniture.

7. Single bed models are suitable for the weight of one person. Sleeping by more than one person will cause damage of the product.

8. Before any un-mounting or disassembly please contact Multimo for technical support and instruction. Failure to properly detach risks injury to person and damage to property.

9. For Bunk Beds:

- a. Always use provided ladder when accessing top bunk.
- b. Be slow, careful and aware of surroundings when opening top bunk.
- c. Do not horseplay. Beds are to be slept on only.
- d. Some have legs that fully extend when open- be aware of where the leg is and will be.



MULTiMO

www.multimo.com