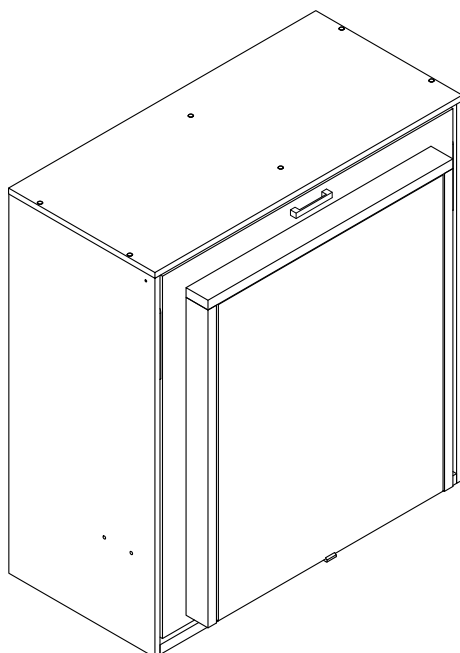





MULTIMO

209-2 CAPSULE FOLDING SINGLE BED 402-D SECRET TABLE MODULE



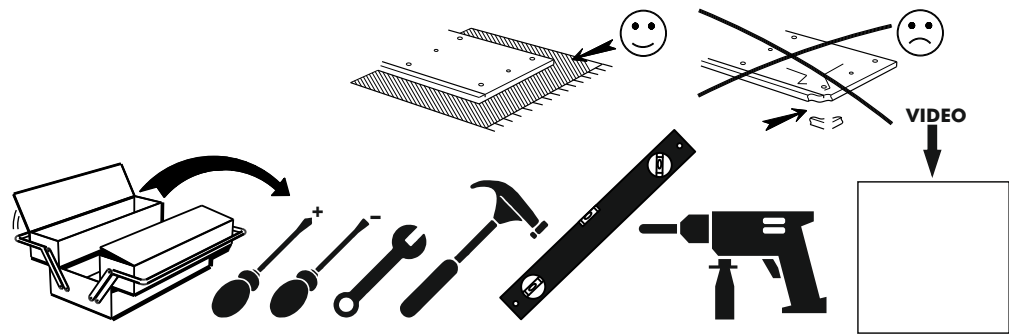
70 min.

Technical Service



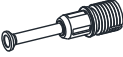



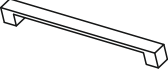


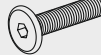


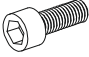
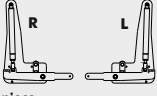

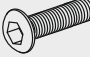
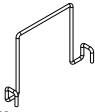




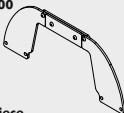



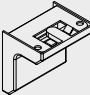
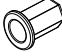
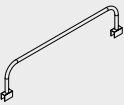
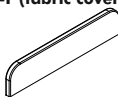


140 min.

End User

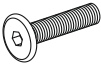




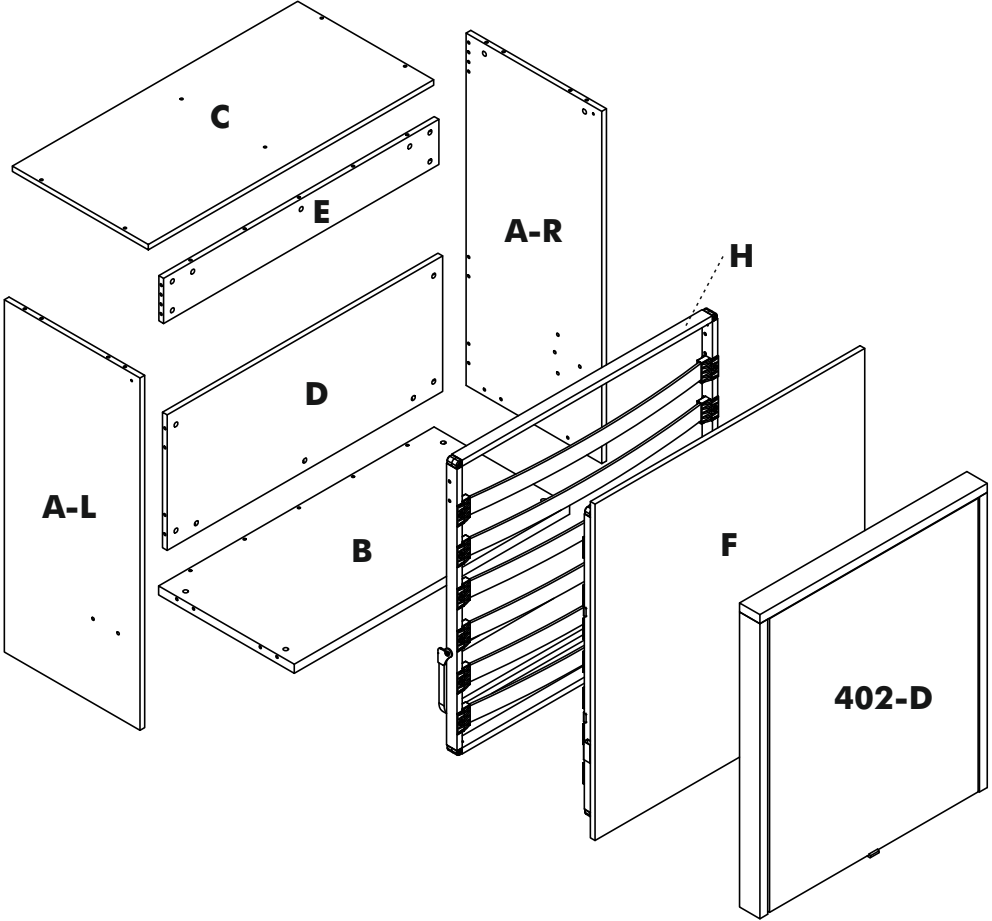
Track Title	Piece	(inch)			(mm)			
		Thickness	Length	Width	Piece	Thick	Height	Most
A-R / A-L	2	0,71	46,06	20,47	2	18	1170	520
B	1	1,18	41,73	20,47	1	30	1060	520
C	1	0,71	43,23	20,51	1	18	1098	521
D	1	0,71	41,73	17,72	1	18	1060	450
E	1	0,71	41,73	5,91	1	18	1060	150
F	1	0,71	43,98	40,87	1	18	1117	1038
402-D	2	3,07	39,76	34,33	1	78	1010	872

Accessories List

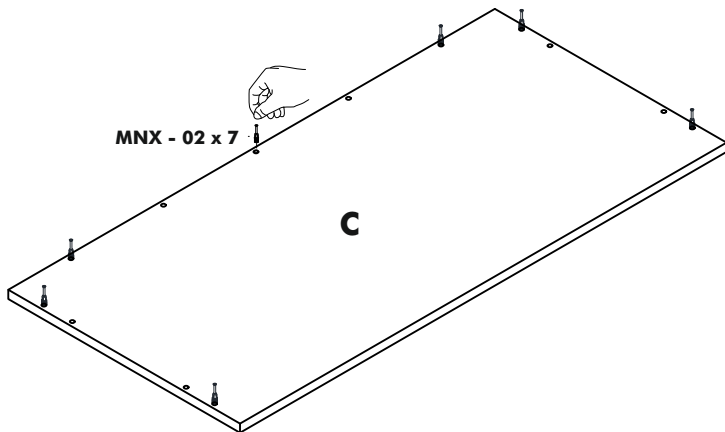
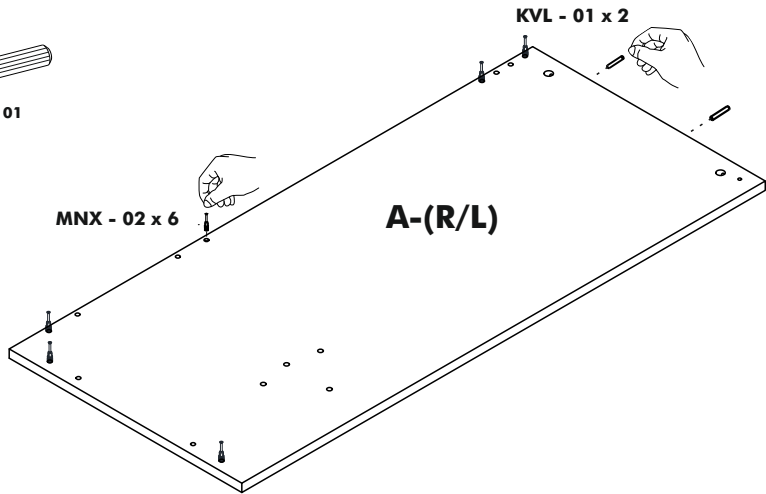
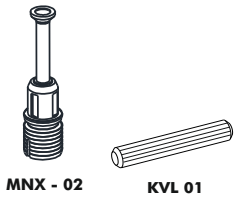
MXN 02  22 / piece	MNG - 01  22 / piece YSB - 01 (3,9x16) mm	KVL 01  20 / piece CT - 02 (6x30) mm	TAP - 01  22 / piece	KP - 01 (128) mm  1 / piece
TAP - 03  6 / piece	YSB - 01 (3,9x16) mm  4 / piece	CT - 02 (6x30) mm  2 / piece	OT-054  2 / piece	VKP - 01 (22) mm  2 / piece
IM - 02 (6x20) mm  4 / piece	MKZ-10-60 M (300 N)  1 / piece	PL - 04 (5x12x0,7) mm  4 / piece	CTM - 02 (8x35) mm  8 / piece	TTC 02  1 / piece
SC-99  2 / piece	OT 10  2 / piece	SN - 02 (M8)  10 / piece	PL - 05 (8x16x2) mm  2 / piece	SC-100  2 / piece
VD - 03 (3,5x18) mm  4 / piece	DD - 01 (R10)  2 / piece	VD - 01 (6X70) mm  2 / piece	DSE - 02  2 / piece	SKT - 01  4 / piece
KOR  1 / piece	KLF -F (fabric cover)  1 / piece	AL - 01 (4MM)  1 / piece	AL - 02 (5MM)  1 / piece	

Accessories List 402-D

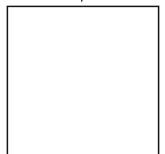
CT - 03 (6x50) mm  4 / piece	SN - 01 (M6)  4 / piece	PL - 03 (6x12x1) mm  4 / piece
--	---	--



STEP 1

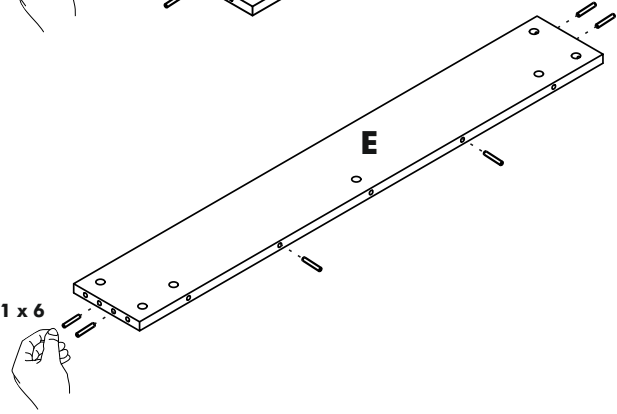
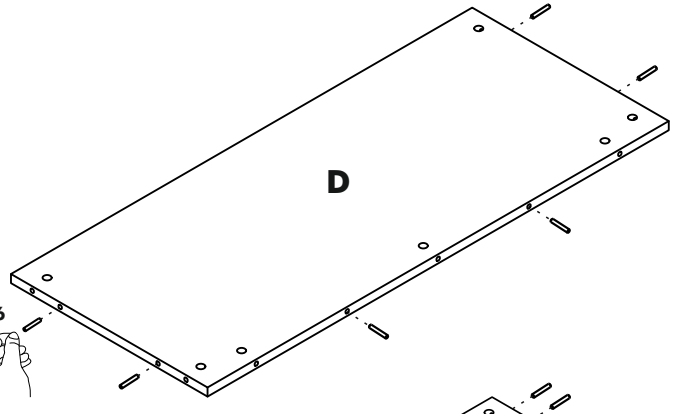
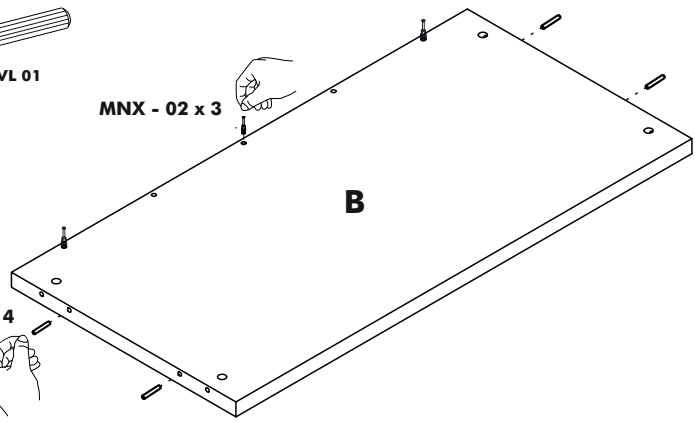
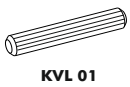


VIDEO

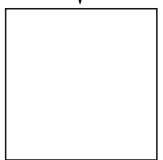


link

STEP 2



VIDEO

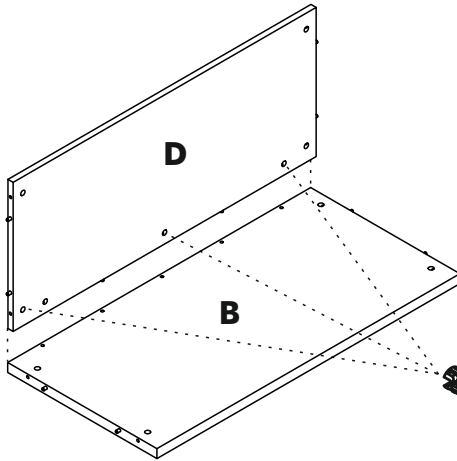


link

STEP 3



MNG - 01



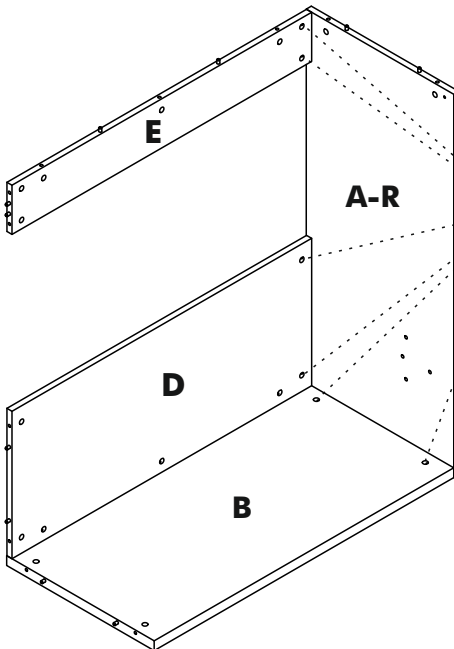
MNG - 01 x 3

210°

STEP 4



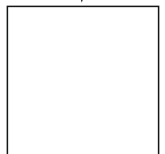
MNG - 01



MNG - 01 x 6

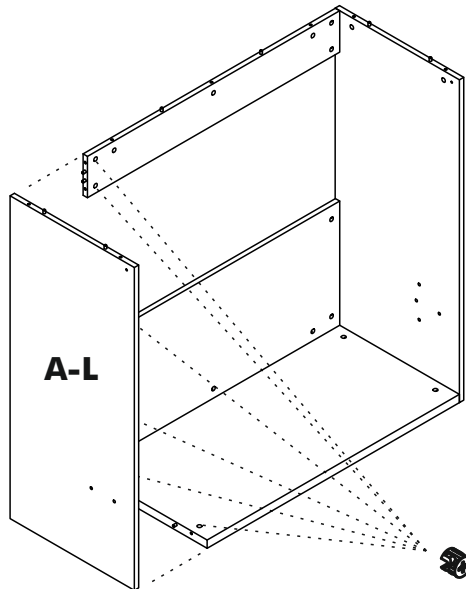
210°

VIDEO

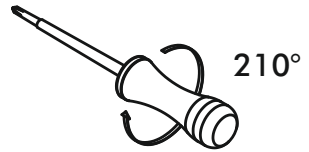


link

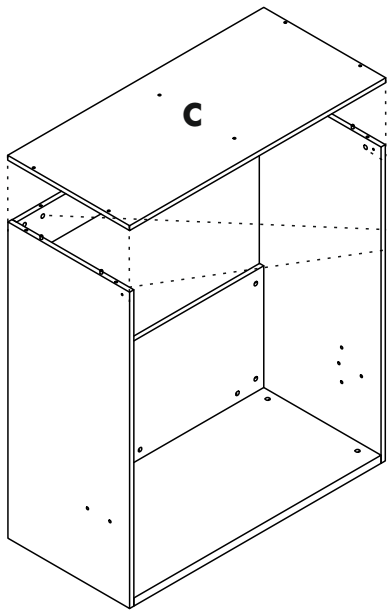
STEP 5



MNG - 01 x 6



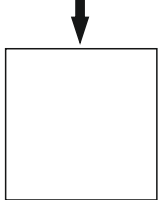
STEP 6



MNG - 01 x 7

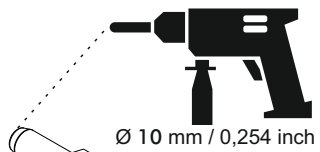


VIDEO



link

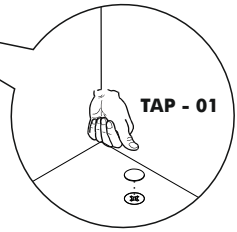
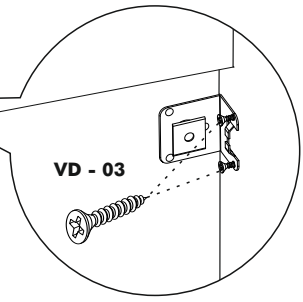
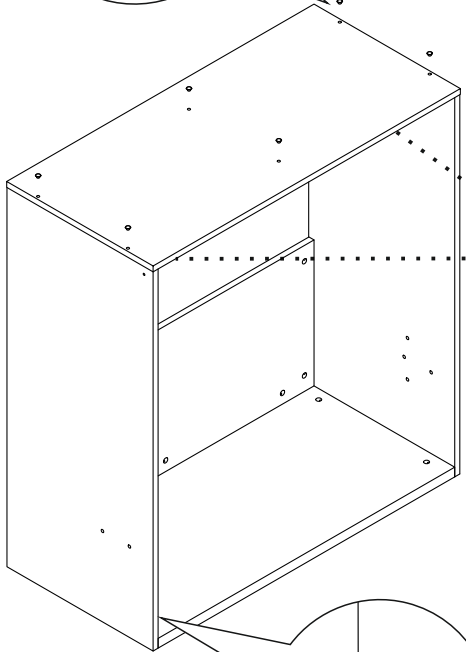
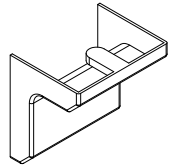
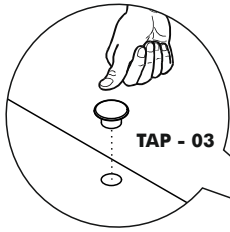
STEP 7



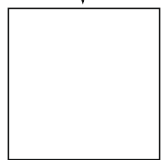
DD - 01

DSE - 02

VD - 01

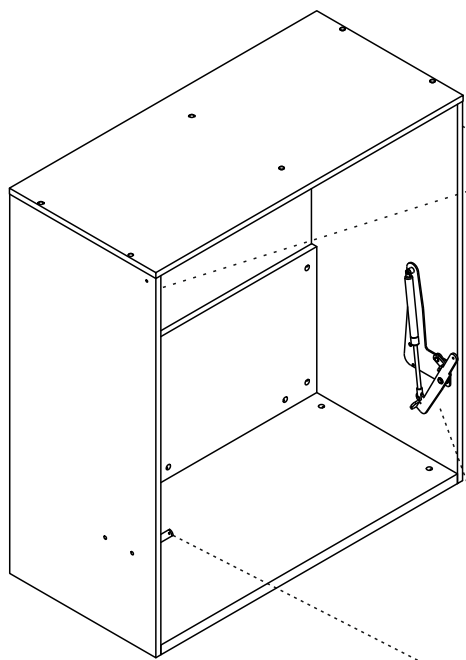


VIDEO



link

STEP 8

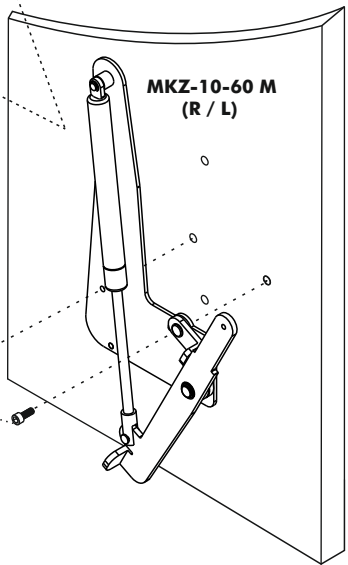


AL - 01

**Vidayı çıkarın
Remove the screw**

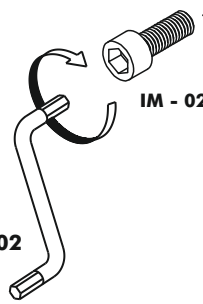


**CAUTION
DO NOT UNLOCK BEFORE INSTALL**

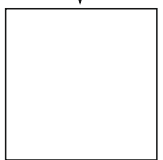


IM - 02 X 2

AL - 02

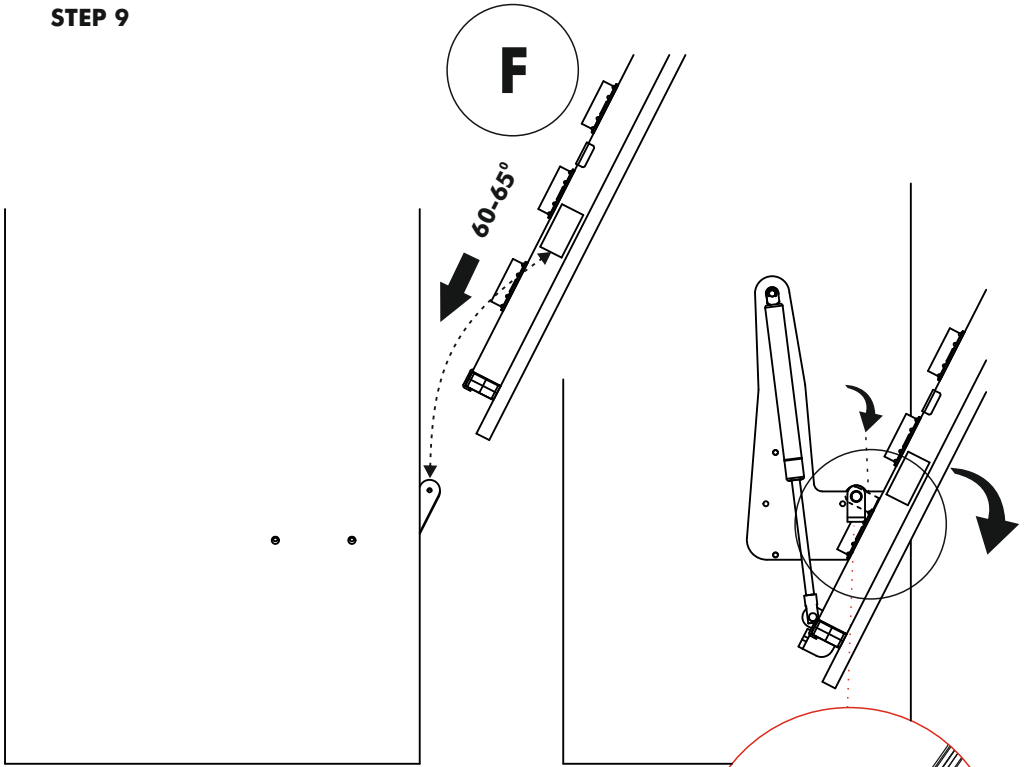


VIDEO

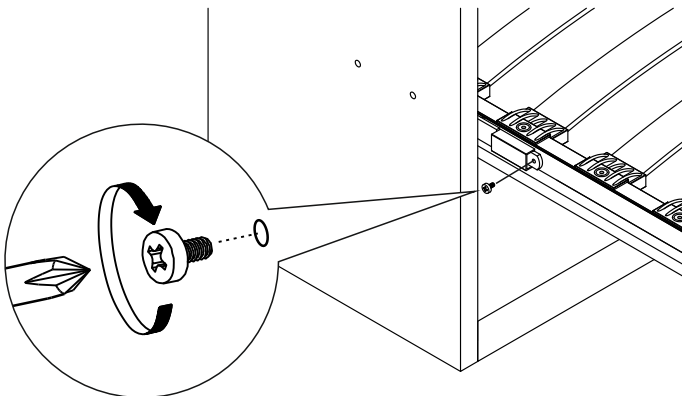
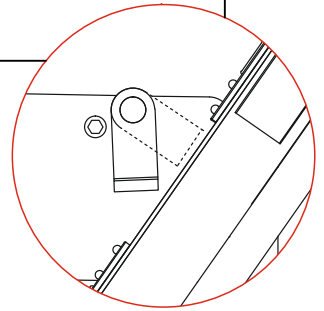


link

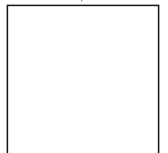
STEP 9



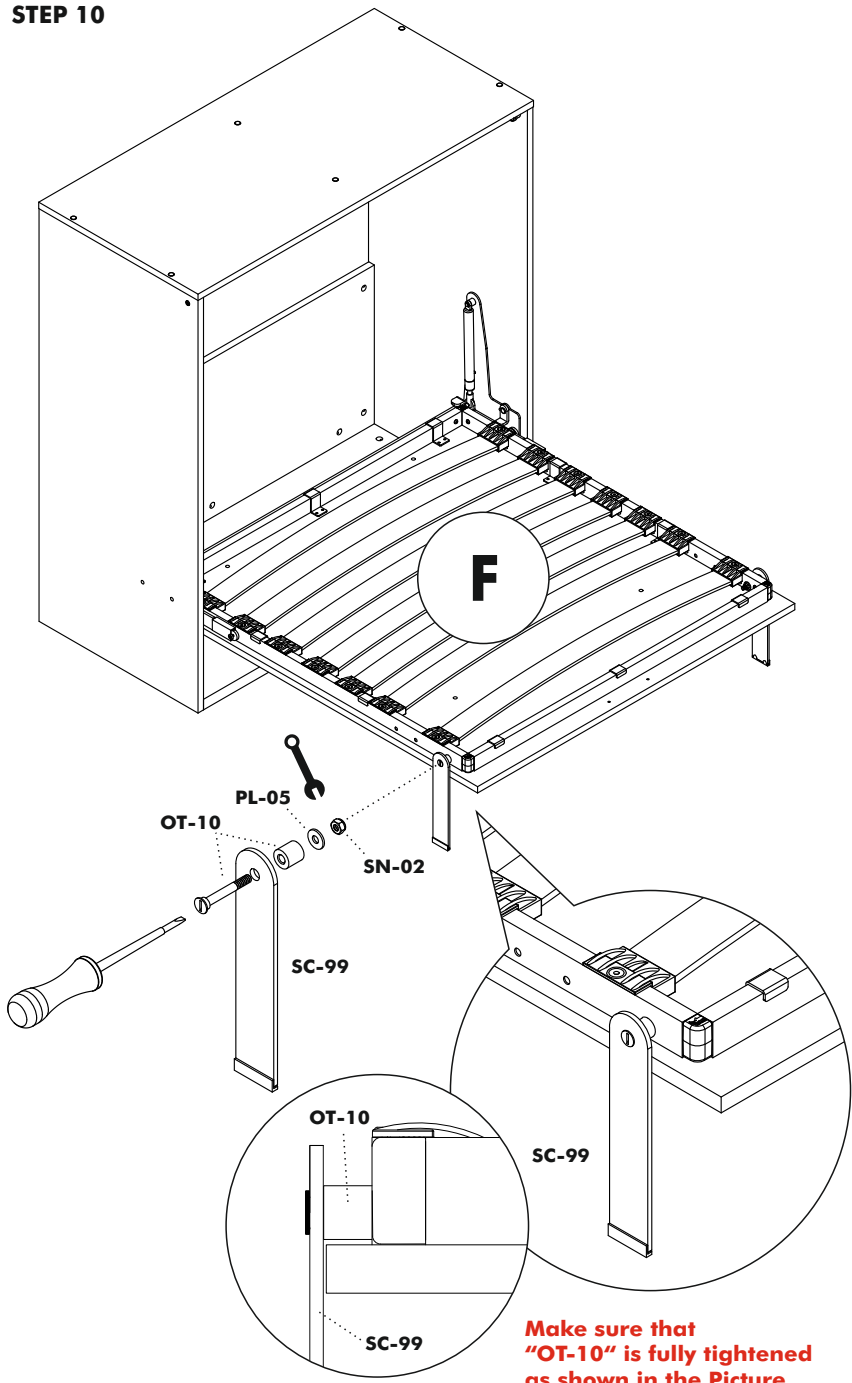
LET THE STOPPER LOCK MOVE DOWN !!!



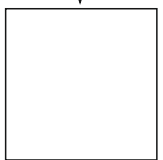
VIDEO



STEP 10



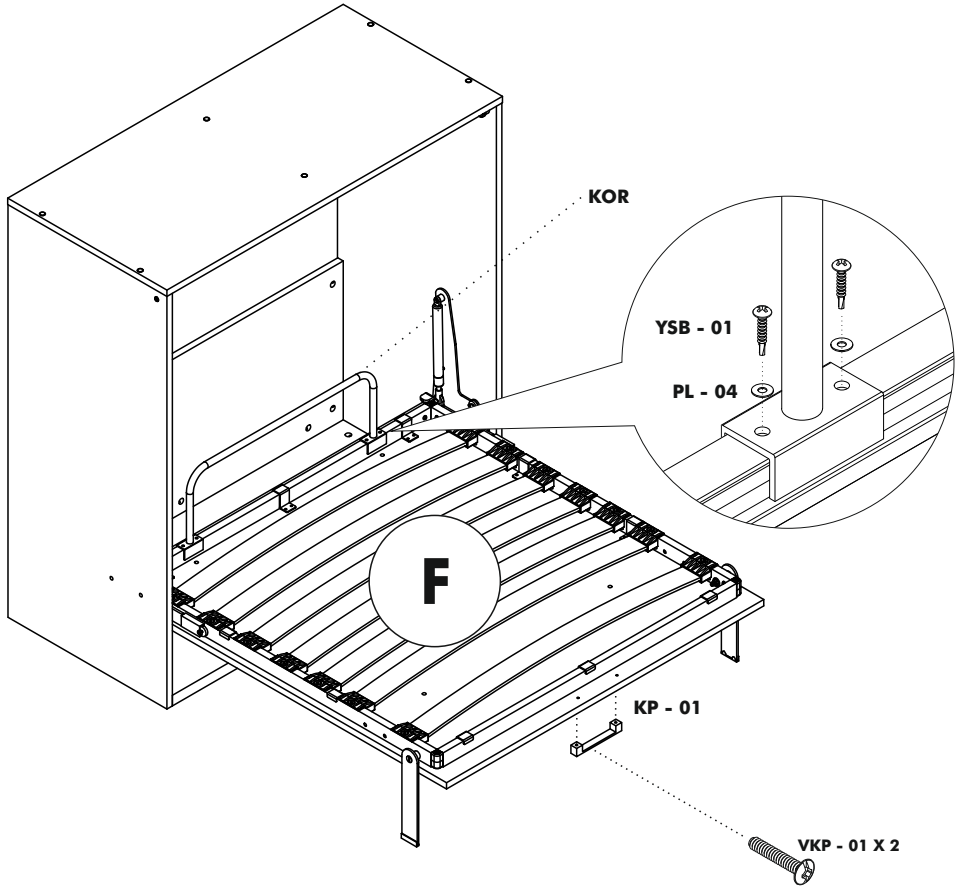
VIDEO



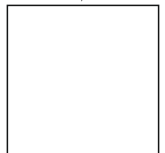
Make sure that "OT-10" is fully tightened as shown in the Picture.

link

STEP 11

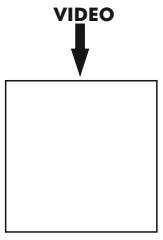
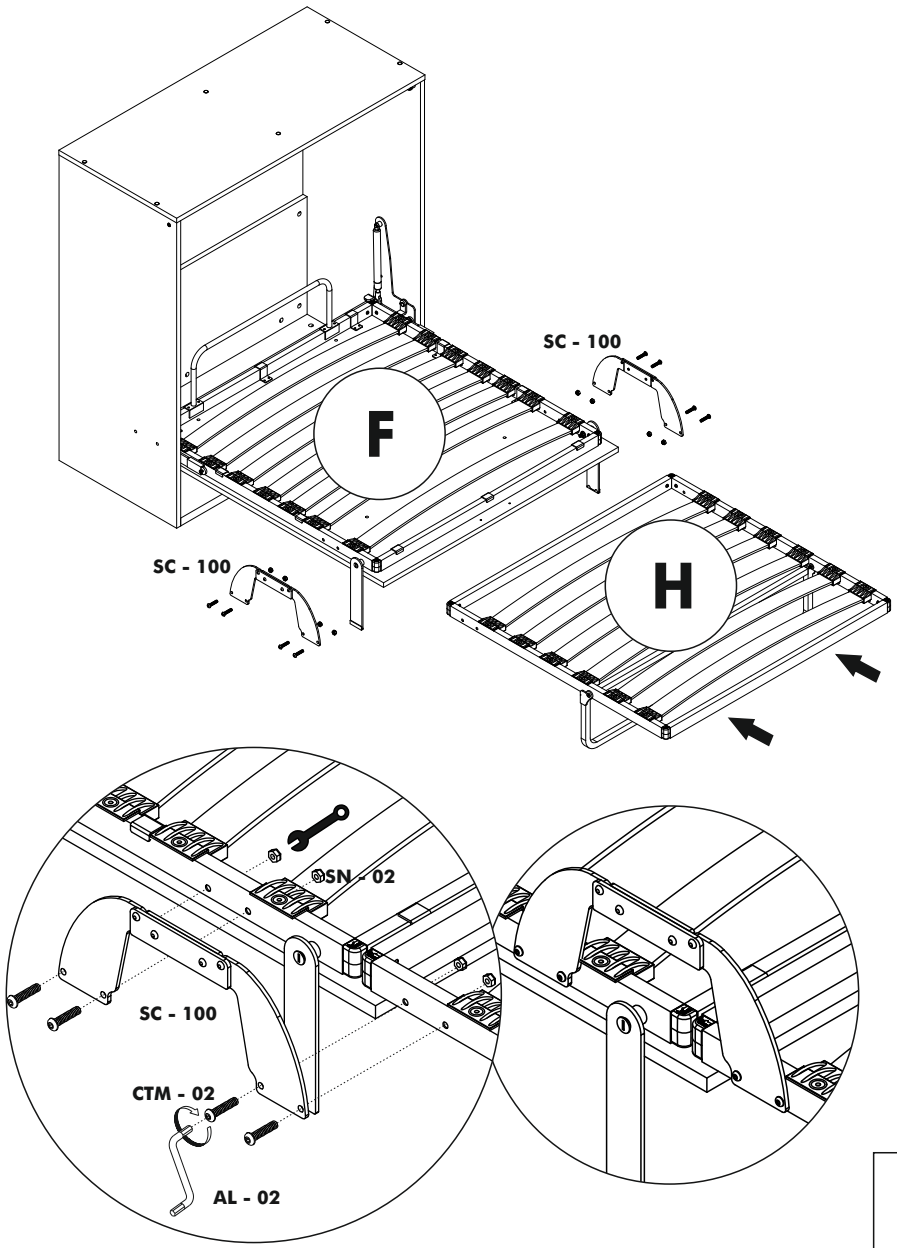


VIDEO

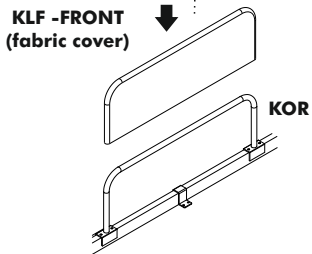
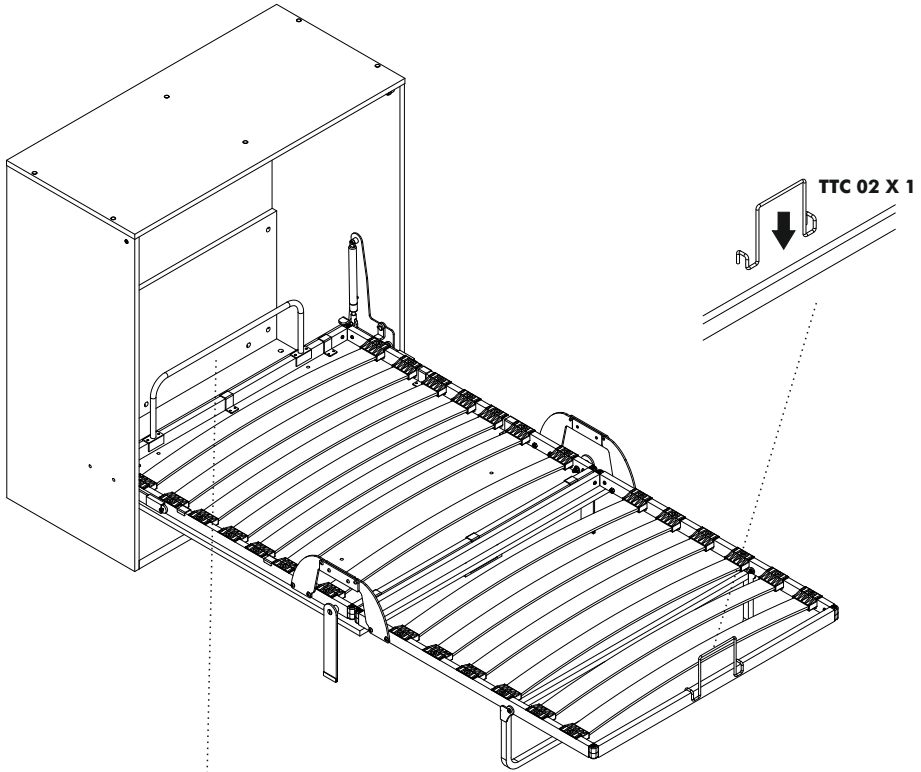


link

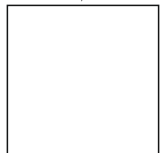
STEP 12



STEP 13



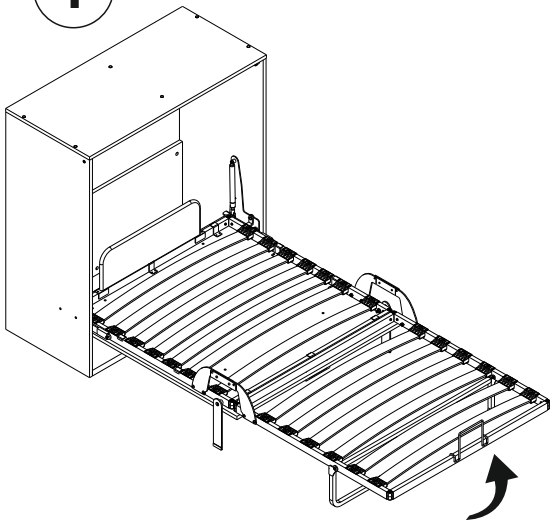
VIDEO



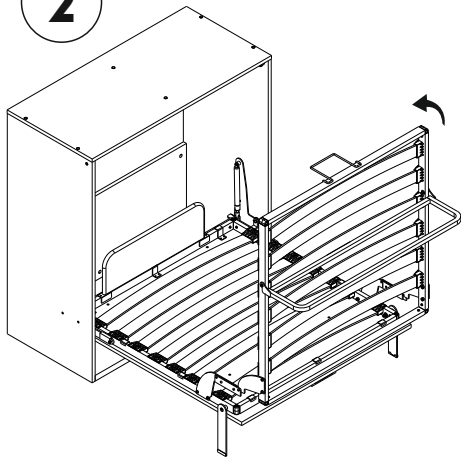
link

STEP 14

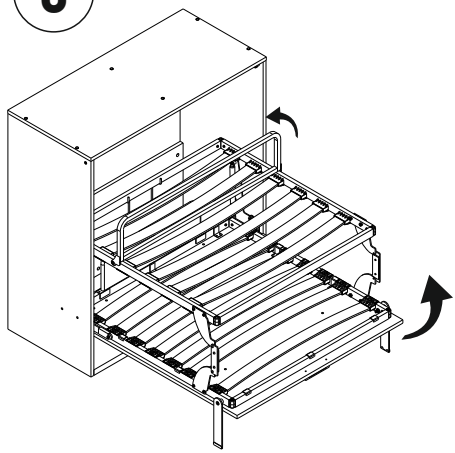
1



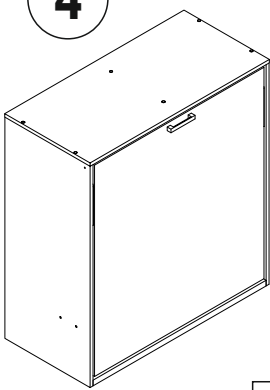
2



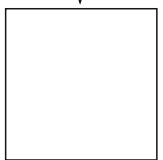
3



4

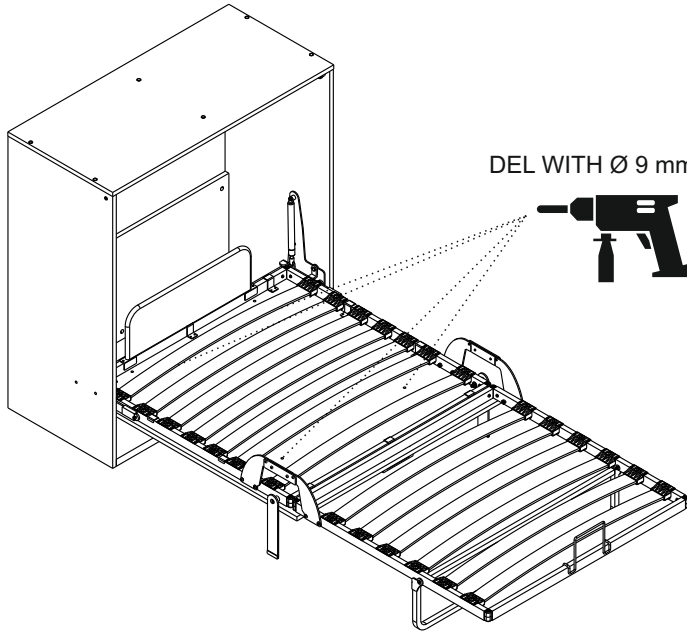


VIDEO

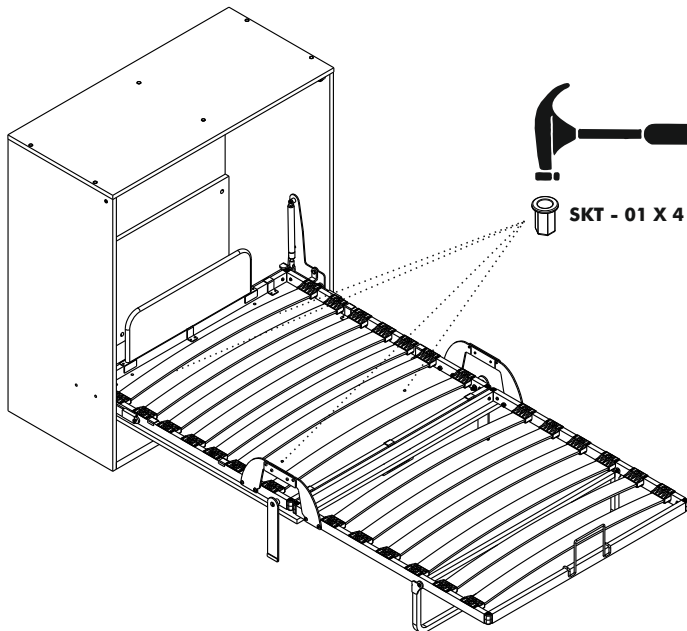
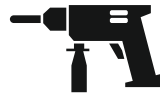


link

STEP 15

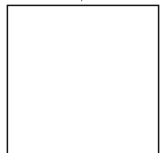


DEL WITH Ø 9 mm DRILL



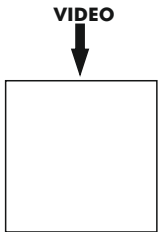
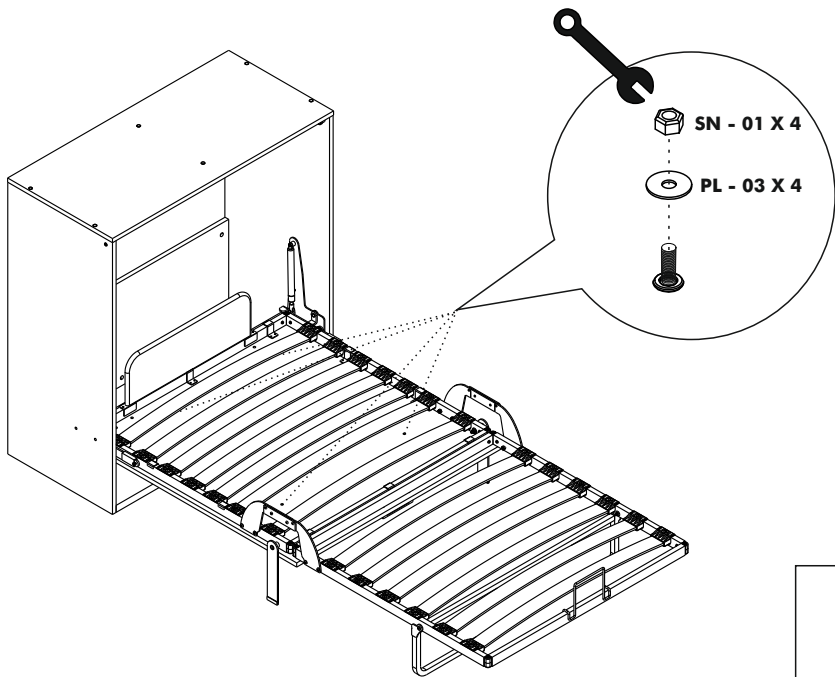
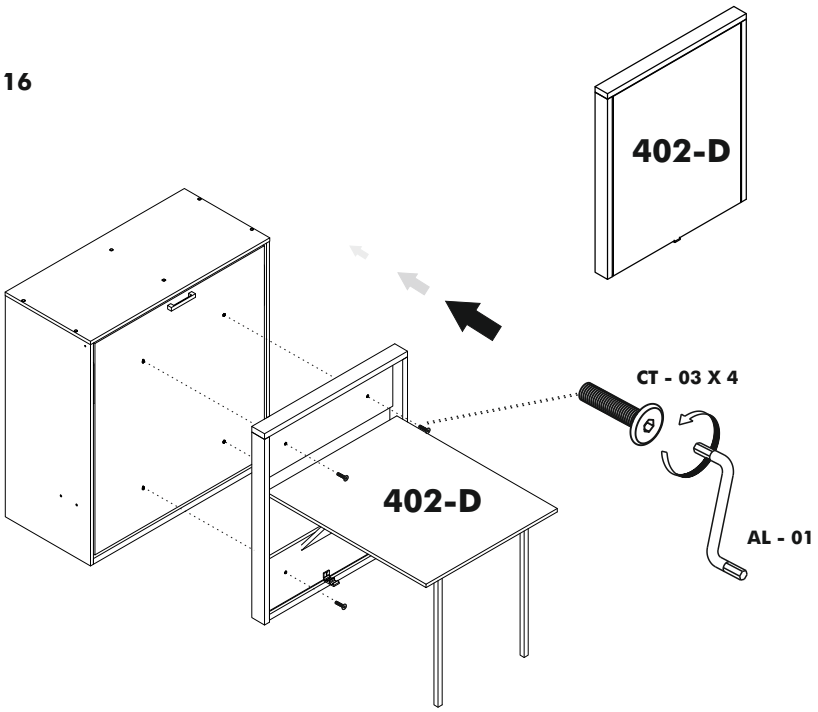
SKT - 01 X 4

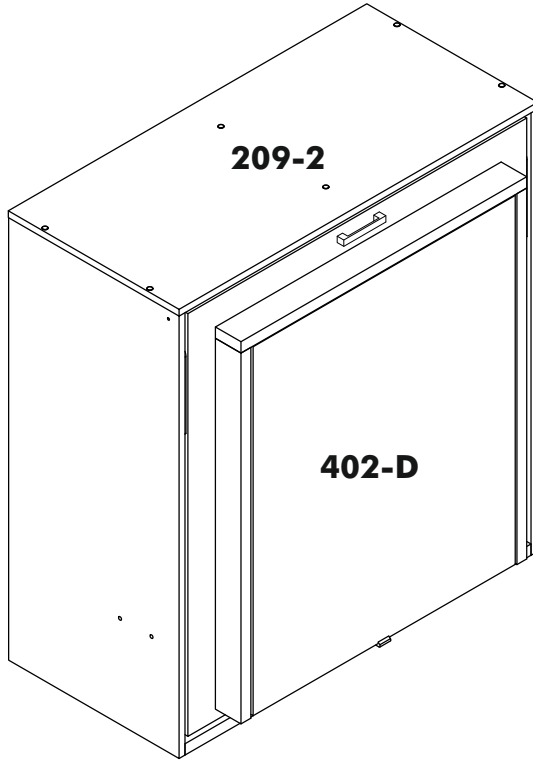
VIDEO



link

STEP 16





ATTENTION / HOW TO / READ ME / OWNER'S GUIDE

1. When mounting on a regular drywall, furniture must be fastened to wood or metal studs. Solid walls made of brick, concrete or similar strong material are also acceptable. Do not mount furniture to paper-mache or sheetrock (plasterboard) like material without properly fixing to stud.
2. For safety and product longevity you must periodically inspect the mounting and mechanical connections for integrity and tightness. Confirm hardware remains properly affixed and connections snug.
3. Wall Bed mattress thickness may not exceed 8 inches (200mm). Take care to remove pillows and excess blankets before closing. Doing so keeps mechanism free of obstruction and unnecessary stress.
4. Do not lean or rest heavy objects on side or top of furniture. This may cause balance issues and compromise the integrity of your mounting connections.
5. Please use the furniture's beds, desks and shelving as intended. Not designed to be sat, stood, leaned, jumped (etc) on. Improper use may cause personal injury and damage to property.
6. With seasonal humidity change you must inspect interior and exterior of furniture.
7. Single bed models are suitable for the weight of one person. Sleeping by more than one person will cause damage of the product.
8. Before any un-mounting or disassembly please contact Multimo for technical support and instruction. Failure to properly detach risks injury to person and damage to property.
9. For Bunk Beds:
 - a. Always use provided ladder when accessing top bunk.
 - b. Be slow, careful and aware of surroundings when opening top bunk.
 - c. Do not horseplay. Beds are to be slept on only.
 - d. Some have legs that fully extend when open- be aware of where the leg is and will be.



MULTiMO

www.multimo.com