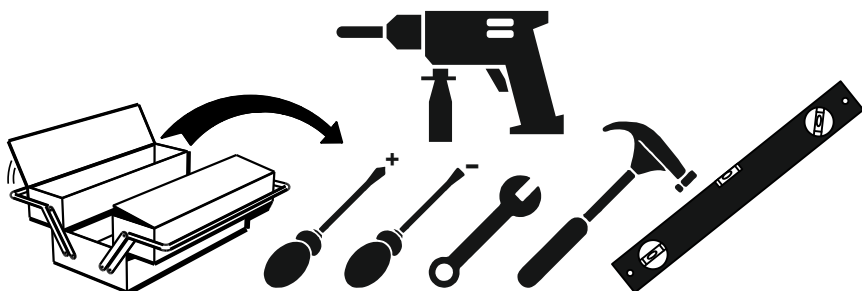
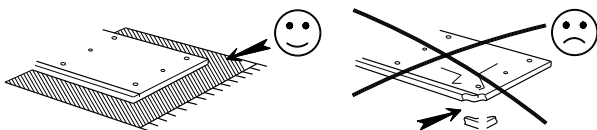
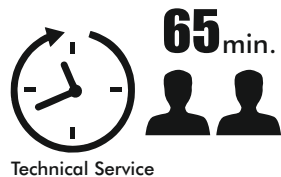
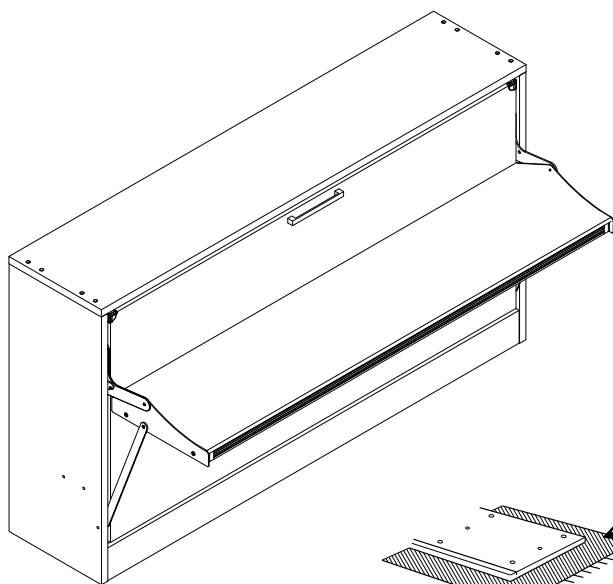


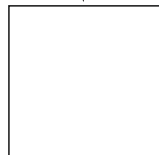


# MULTIMO

## 1121C- LIFE CONVERTIBLE 1121D- LIFE OPTIONEL DESK



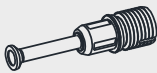



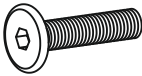
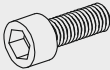

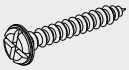
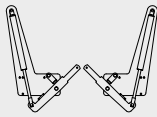




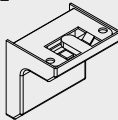

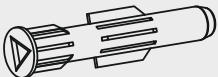

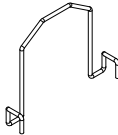
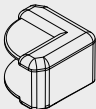
VIDEO



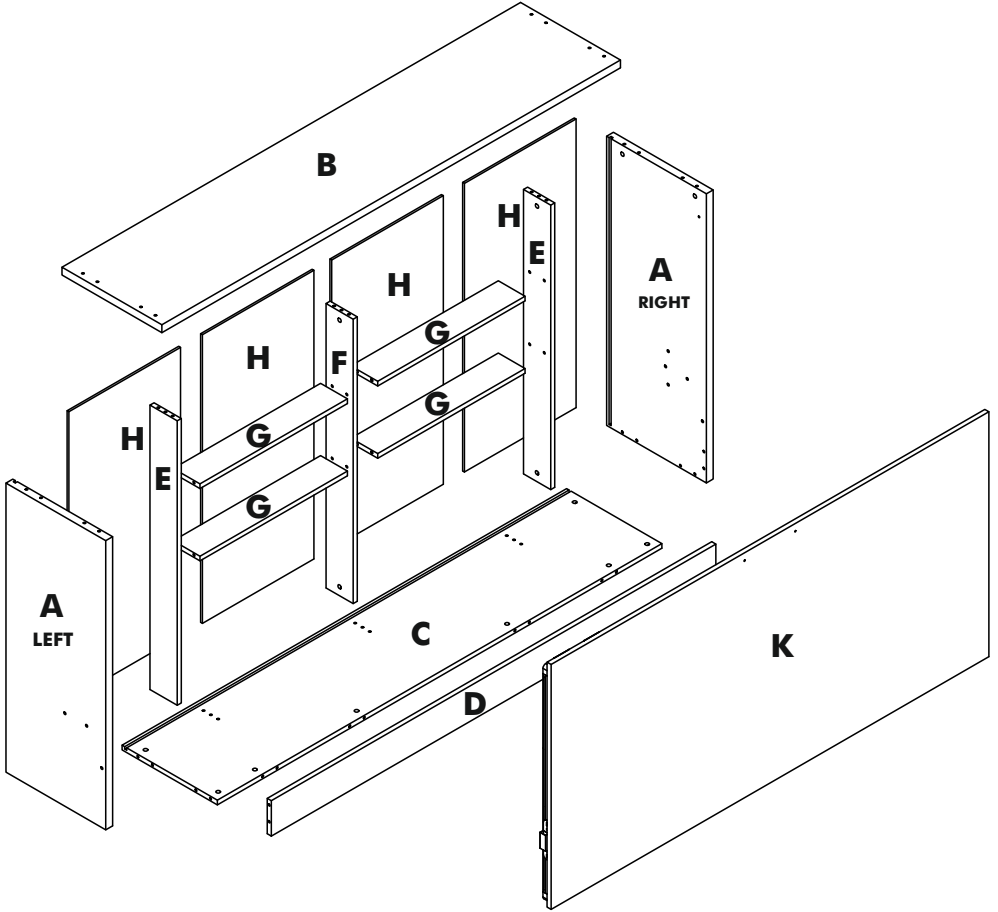
link

Track Title	Piece	(inch)			(mm)			
		Thickness	Length	Width	Piece	Thick	Height	Most
<b>A-R / A-L</b>	2	1,18	43,46	17,32	2	30	1104	440
<b>B</b>	1	1,18	79,61	17,36	1	30	2022	441
<b>C</b>	1	0,71	77,17	16,54	1	18	1960	420
<b>D</b>	1	0,71	77,17	5,31	1	18	1960	135
<b>E-R / E-L</b>	2	0,71	42,76	4,72	2	18	1086	120
<b>F</b>	1	0,71	42,76	4,72	1	18	1086	120
<b>G</b>	4	0,71	18,74	4,65	4	18	476	118
<b>H</b>	4	0,31	43,39	19,41	4	8	1102	493
<b>K</b>	1	0,71	75,98	37,01	1	18	1930	940

### Accessories List

<b>MNX 02</b>  18 / piece <b>CT - 01 ( 6x40 ) mm</b>	<b>MNG - 01</b>  18 / piece <b>IM - 01 (6x30) mm</b>	<b>KVL 01</b>  44 / piece <b>OT-054</b>	<b>TAP - 01</b>  18 / piece <b>VD - 02 (3,5x25) mm</b>
 2 / piece <b>MKZ - 02</b>	 4 / piece <b>VKP - 01 (22) mm</b>	 2 / piece <b>TAP - 03</b>	 19 / piece <b>AVT - 01</b>
 1 / piece      550 N <b>VD - 01(6X70) mm</b>	 2 / piece <b>DSE - 02</b>	 8 / piece <b>VD - 03 ( 3,5x18 ) mm</b>	 10 / piece <b>DD - 01 ( R10 )</b>
 2 / piece <b>KP - 01 ( 224 ) mm</b>	 2 / piece <b>TTC 01</b>	 4 / piece <b>KKS - 01</b>	 2 / piece
 1 / piece	 4 / piece	 2 / piece	

# 1121C- LIFE CONVERTIBLE



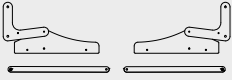
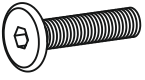
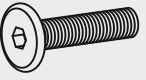
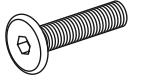
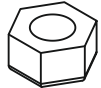


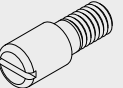
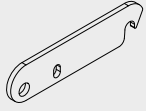

**NOT; 1131 ile oluşan setlerde, öncelikli olarak 1131 kodlu ürünün kurulumu tamamlanmalı.**

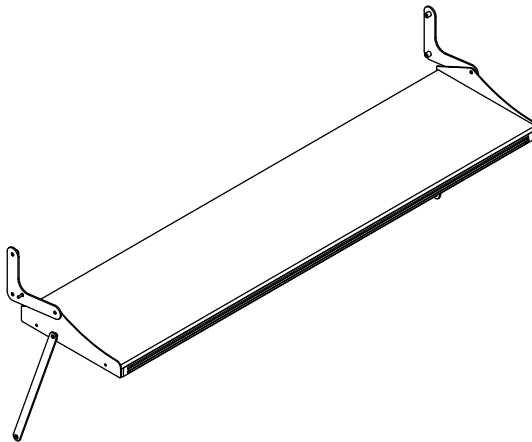
**NOTE; If a moduler set includes 1131 model firstly 1131 assembly should be completed.**

# 1121D- LIFE OPTIONEL DESK

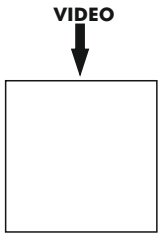
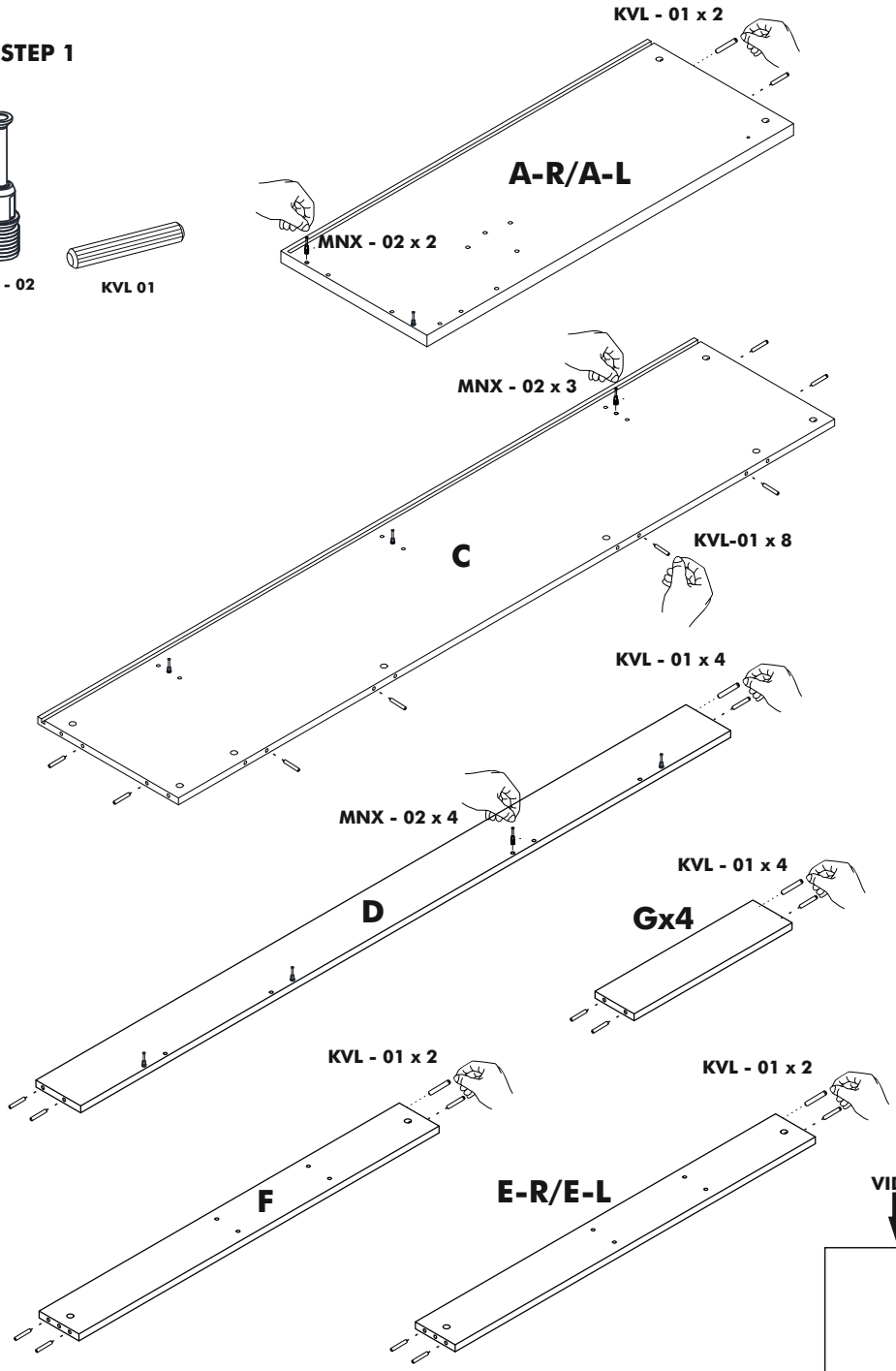
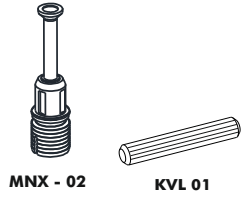
Track Title	Piece	(inch)			(mm)			
		Thickness	Length	Width	Piece	Thick	Height	Most
<b>DESK</b>	1	0,71	75,75	17,72	1	18	1924	450

## Accessories List

<b>SC-132</b>  <b>1 / piece</b>	<b>CT - 02 ( 6x30 ) mm</b>  <b>2 / piece</b>	<b>CT - 01 ( 6x40 ) mm</b>  <b>4 / piece</b>	<b>CT - 04 ( 6x20 ) mm</b>  <b>2 / piece</b>
<b>SN - 01 ( M6 )</b>  <b>5 / piece</b>	<b>OT-006</b>  <b>3 / piece</b>	<b>SG - 01</b>  <b>2 / piece</b>	<b>OT-076</b>  <b>1 / piece</b>
<b>PLK-07</b>  <b>1 / piece</b>	<b>PL - 01 (6x19x1) mm</b>  <b>4 / piece</b>		



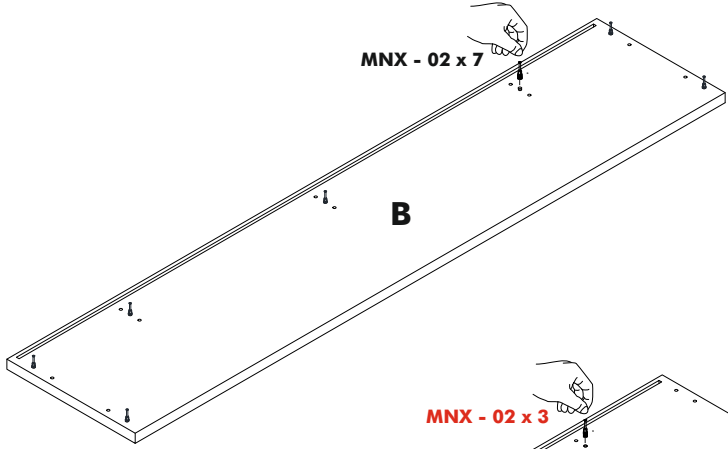
**STEP 1**



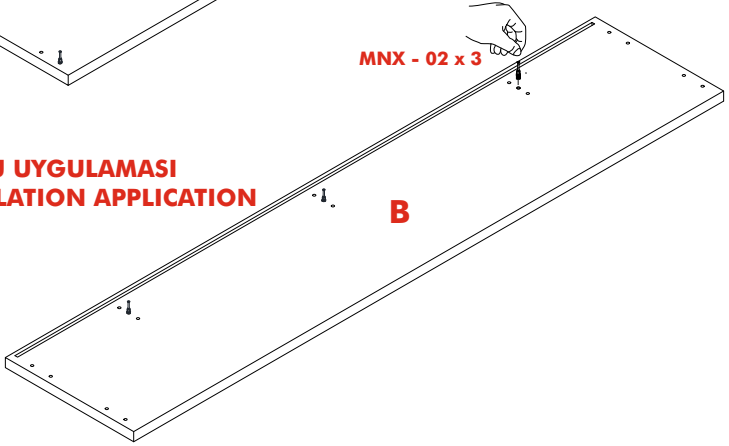
**STEP 2**



MNX - 02



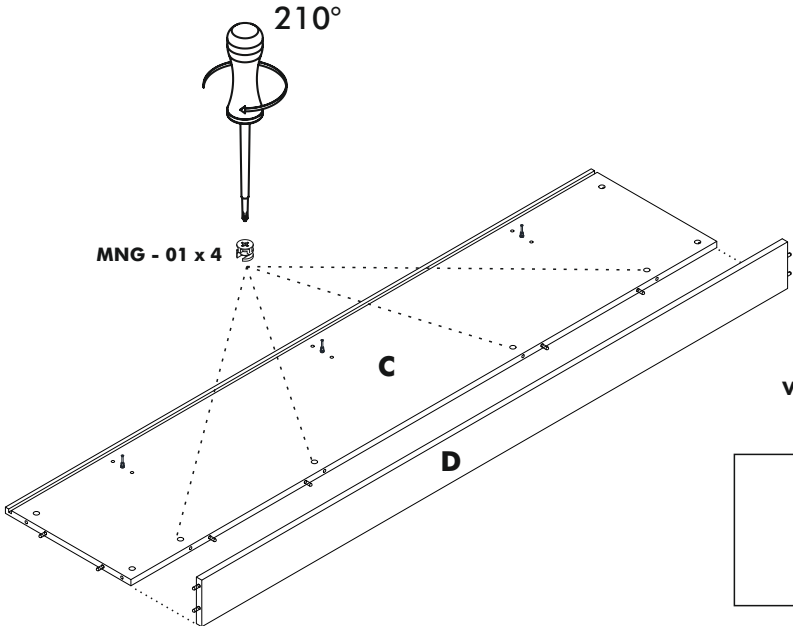
**ÜST MODÜL KURULUMU UYGULAMASI**  
**UPPER MODULE INSTALLATION APPLICATION**



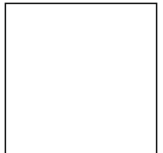
**STEP 3**



MNG - 01

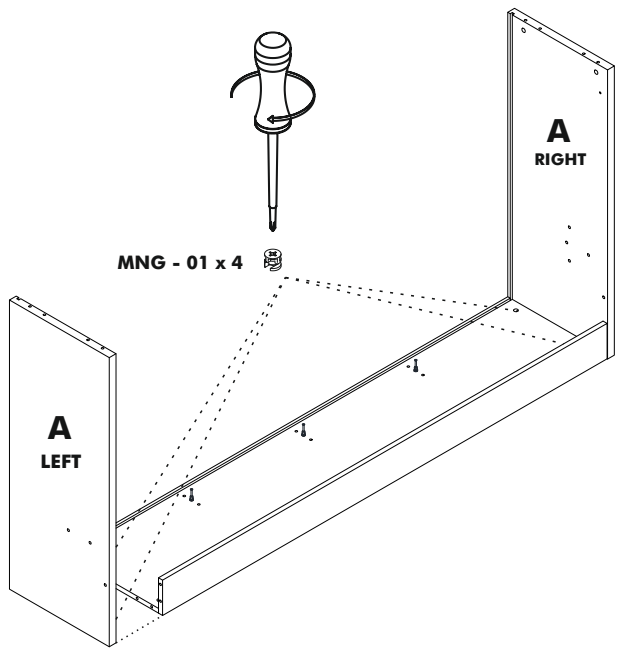


**VIDEO**

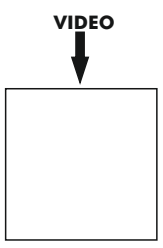
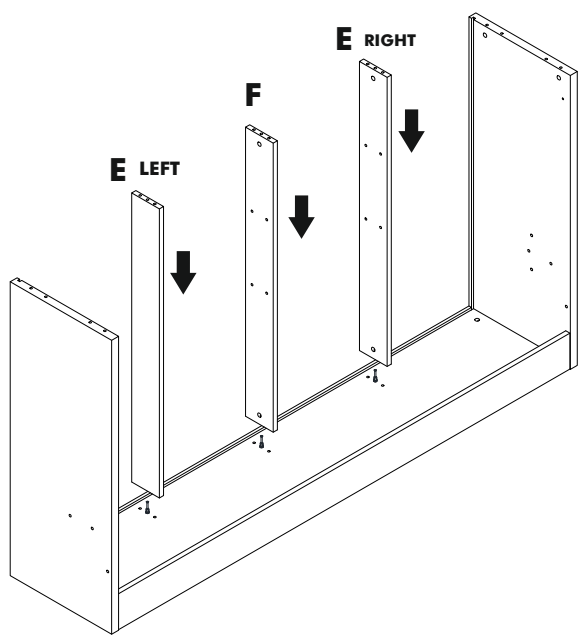


link

**STEP 4**



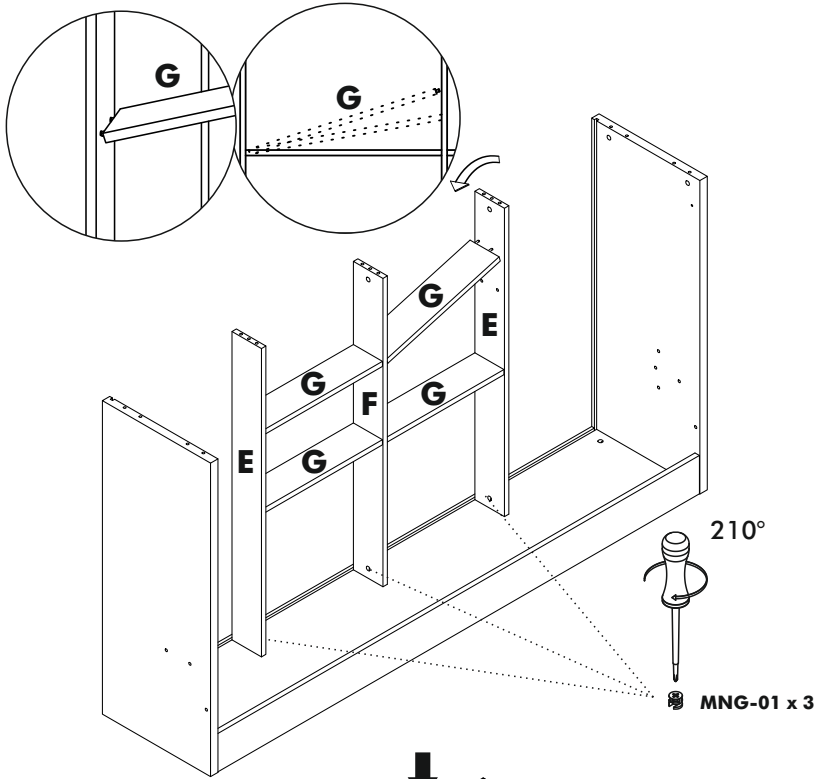
**STEP 5**



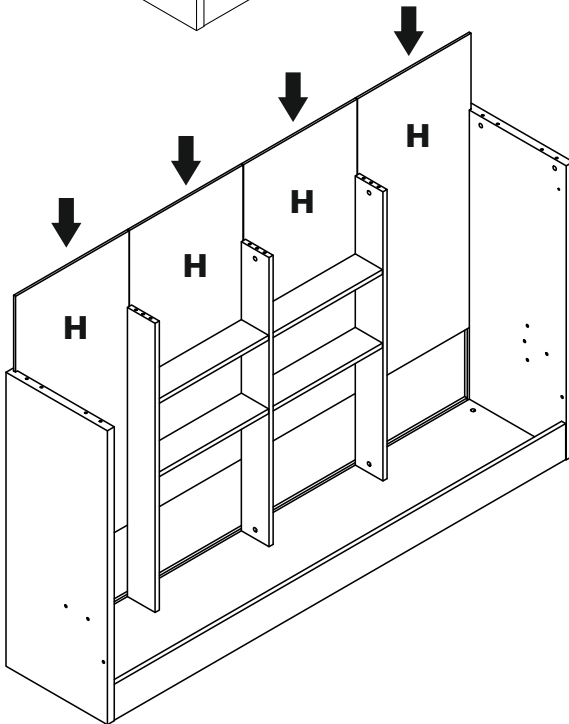
**STEP 6**



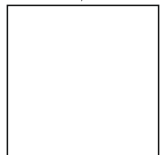
MNG - 01



**STEP 7**



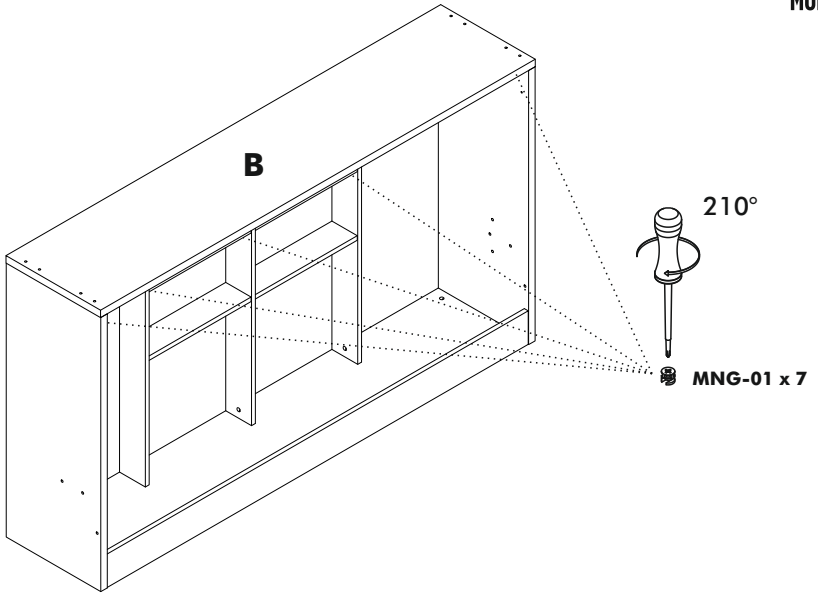
**VIDEO**



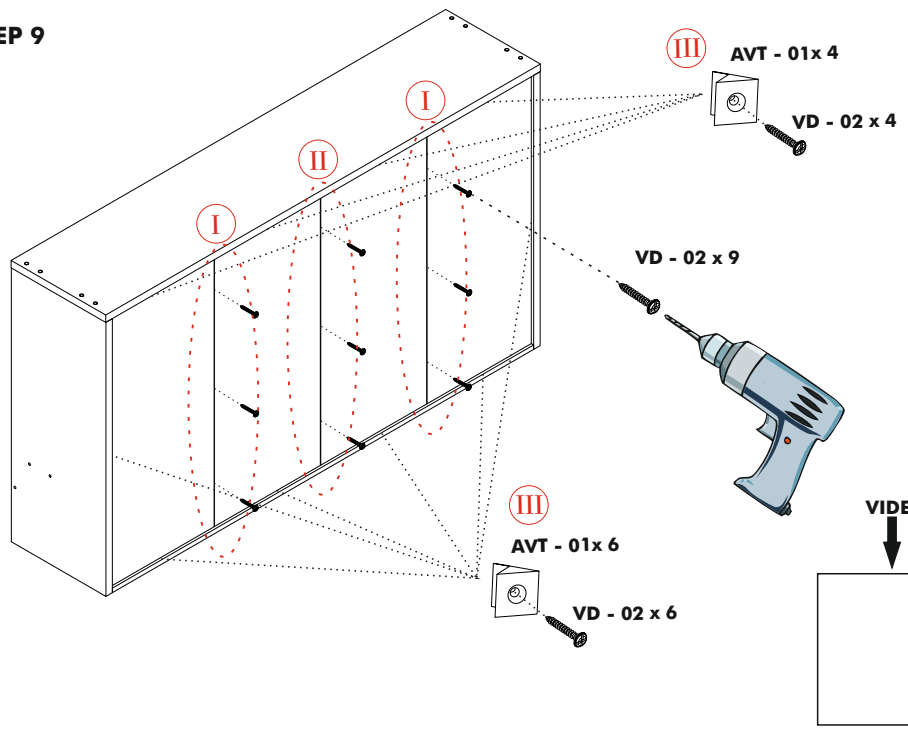
link



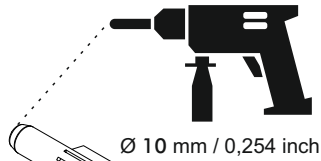
**STEP 8**



**STEP 9**



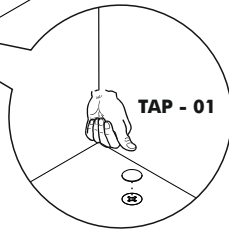
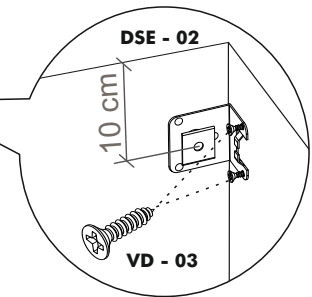
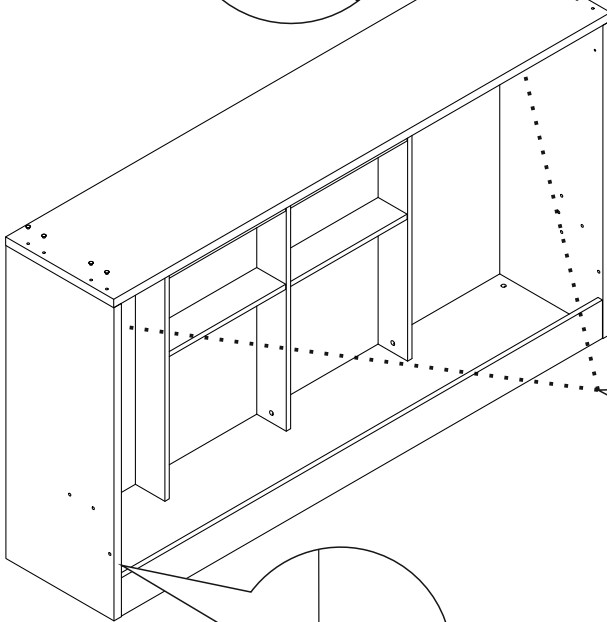
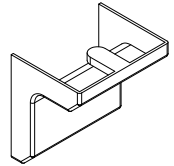
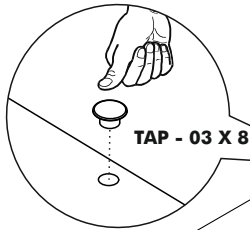
**STEP 10**



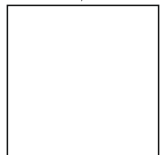
**DD - 01**

**DSE - 02**

**VD - 01**

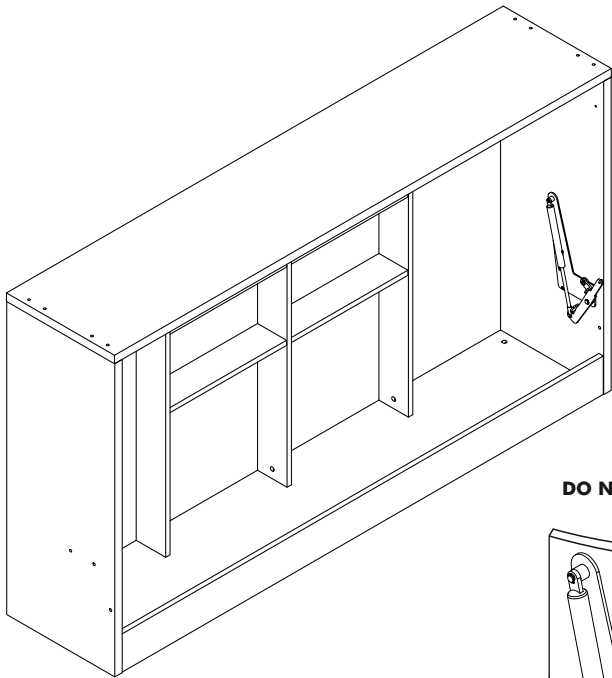


**VIDEO**

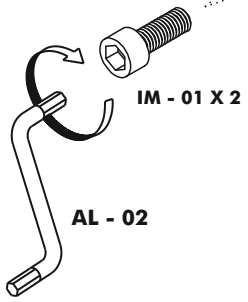
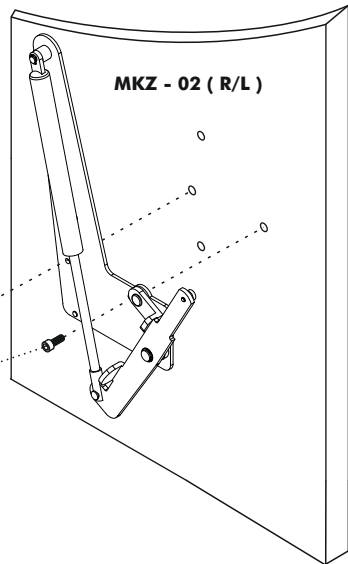


link

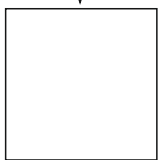
**STEP 11**



**CAUTION**  
DO NOT UNLOCK BEFORE INSTALL



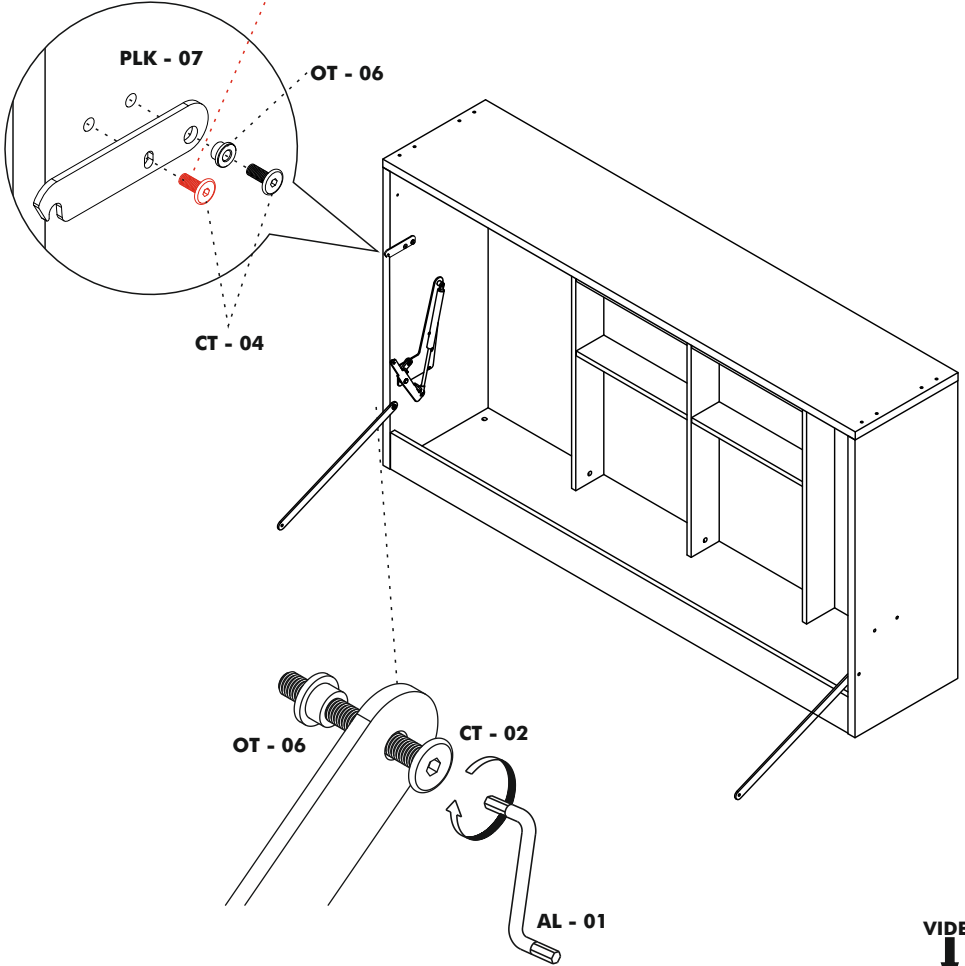
**VIDEO**



link

STEP 12

**PKL-07 NİN HAREKETİNE İZİN VER  
ALLOW PKL-07 TO MOVE**

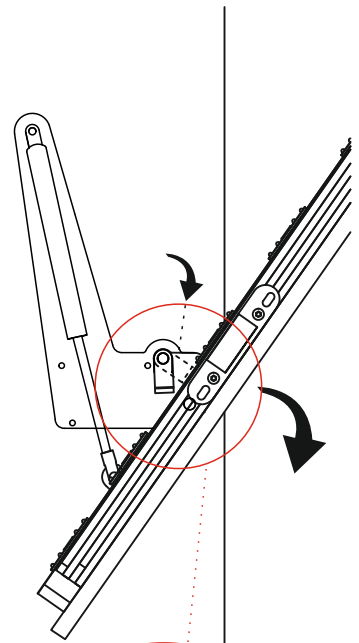
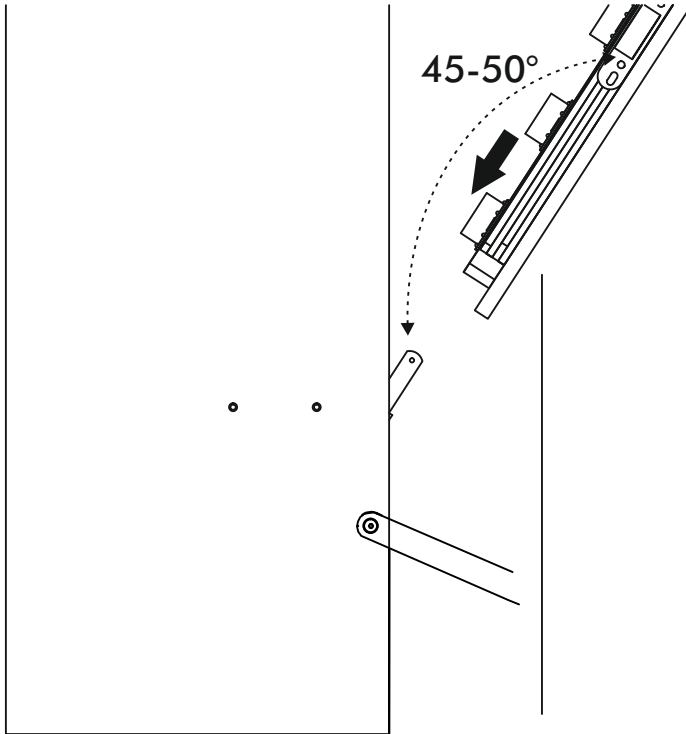


VIDEO

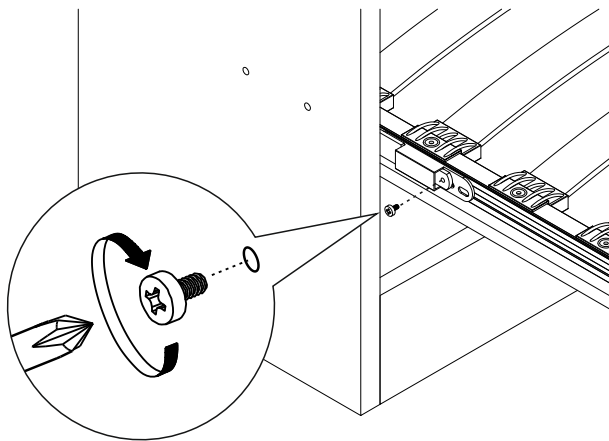
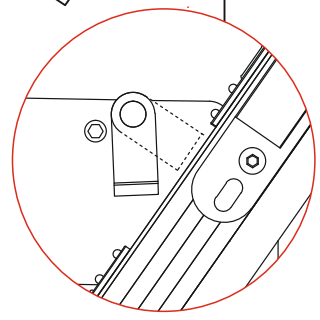


link

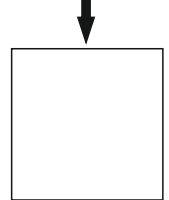
**STEP 13**



**KAPAK KAPATILMADAN KİLİDİ İNDİRİN !!!  
LET THE STOPPER LOCK MOVE DOWN !!!**

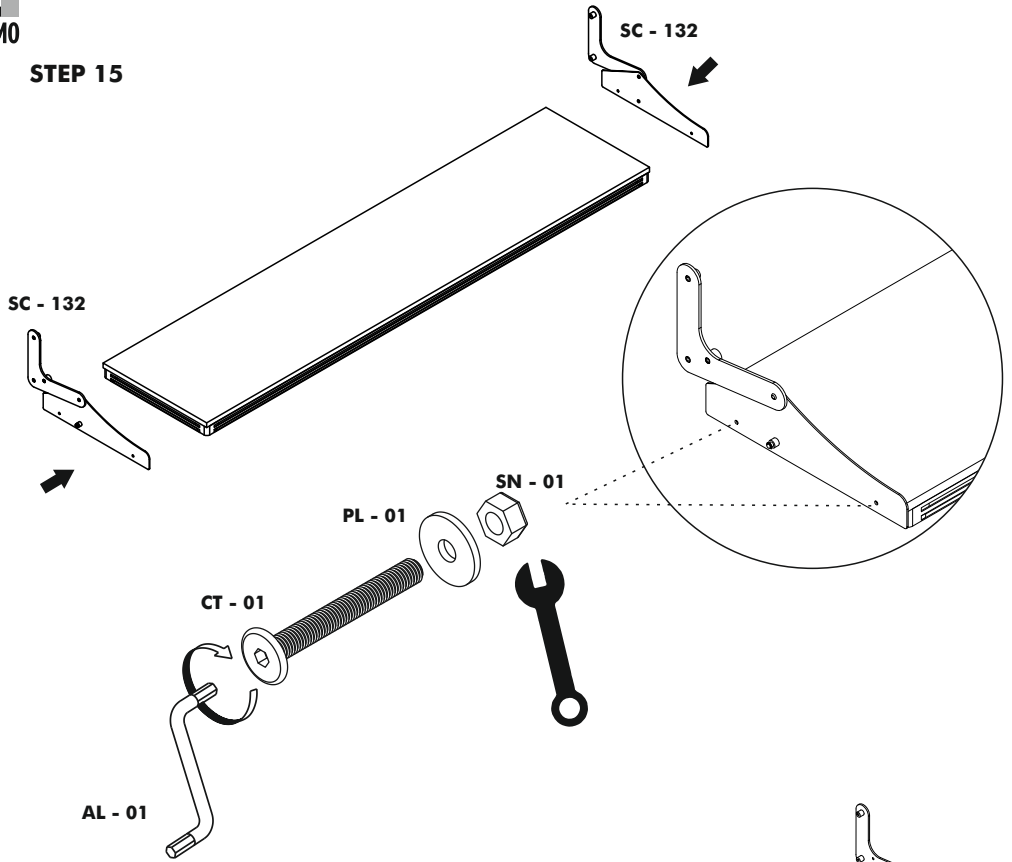


**VIDEO**

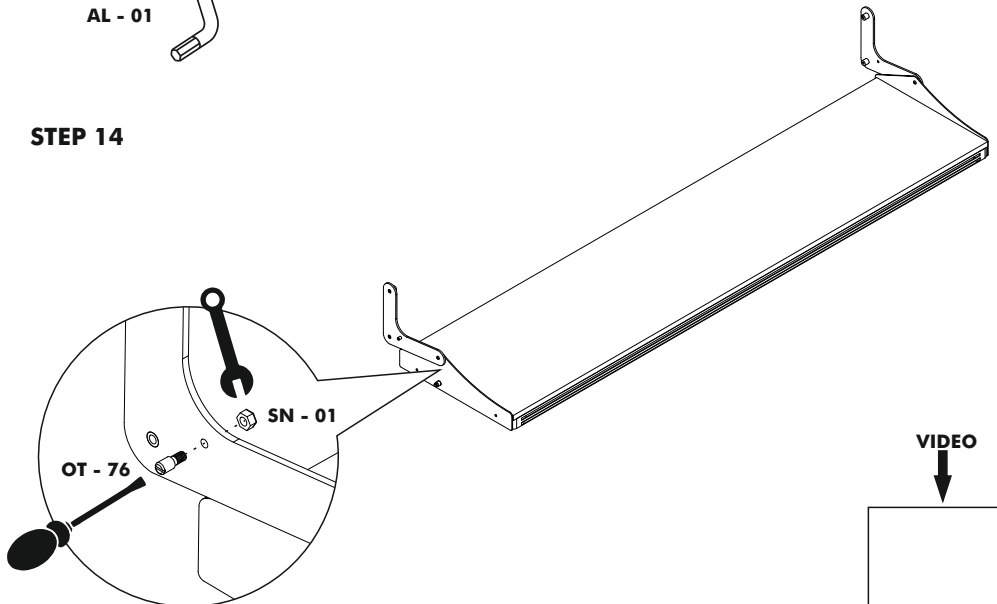


link

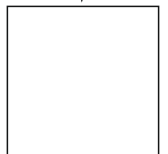
**STEP 15**



**STEP 14**

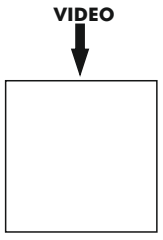
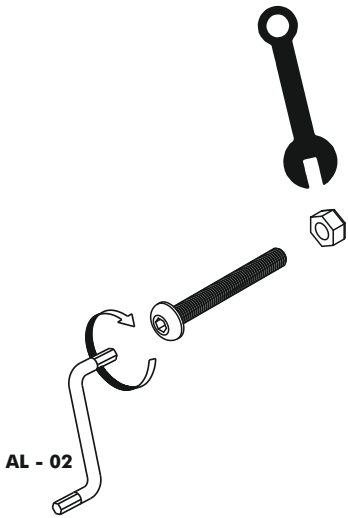
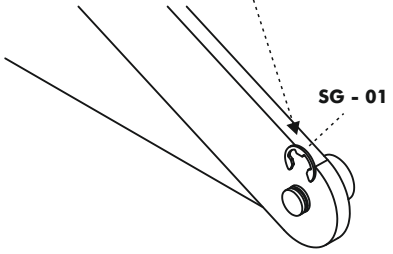
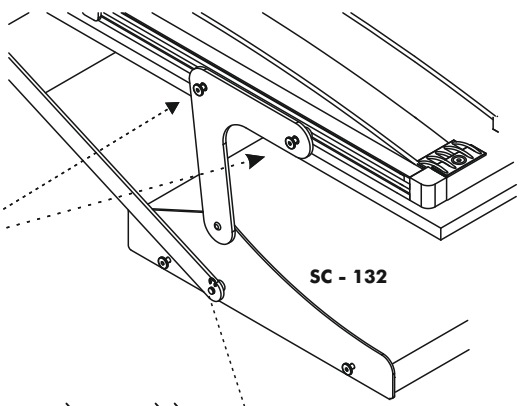
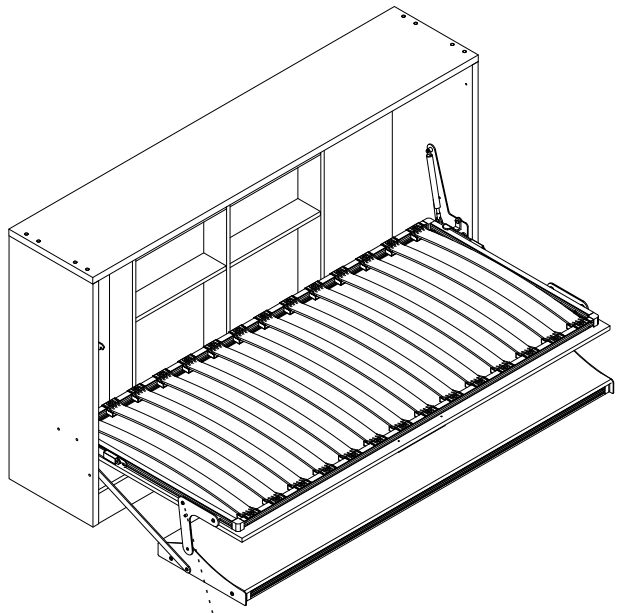


**VIDEO**

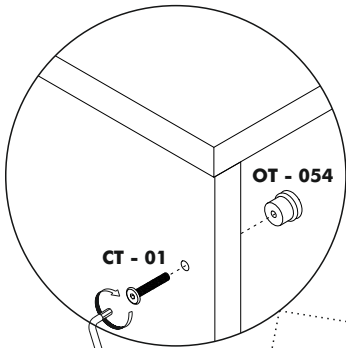


link

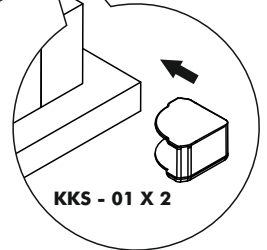
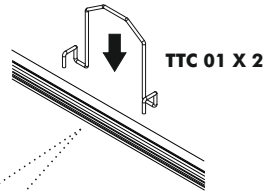
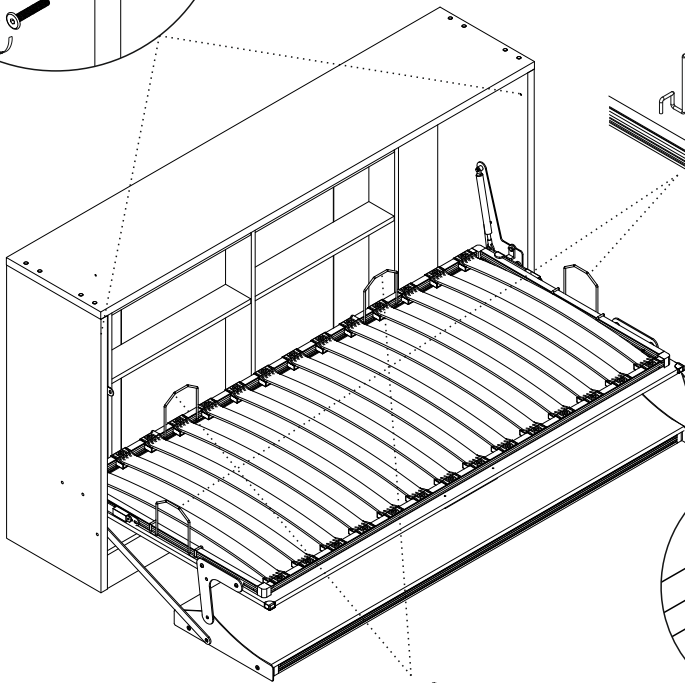
**STEP 16**



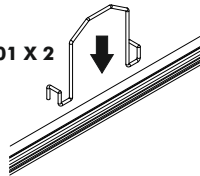
STEP 17



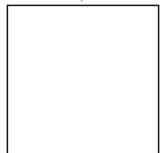
AL - 01



TTC 01 X 2



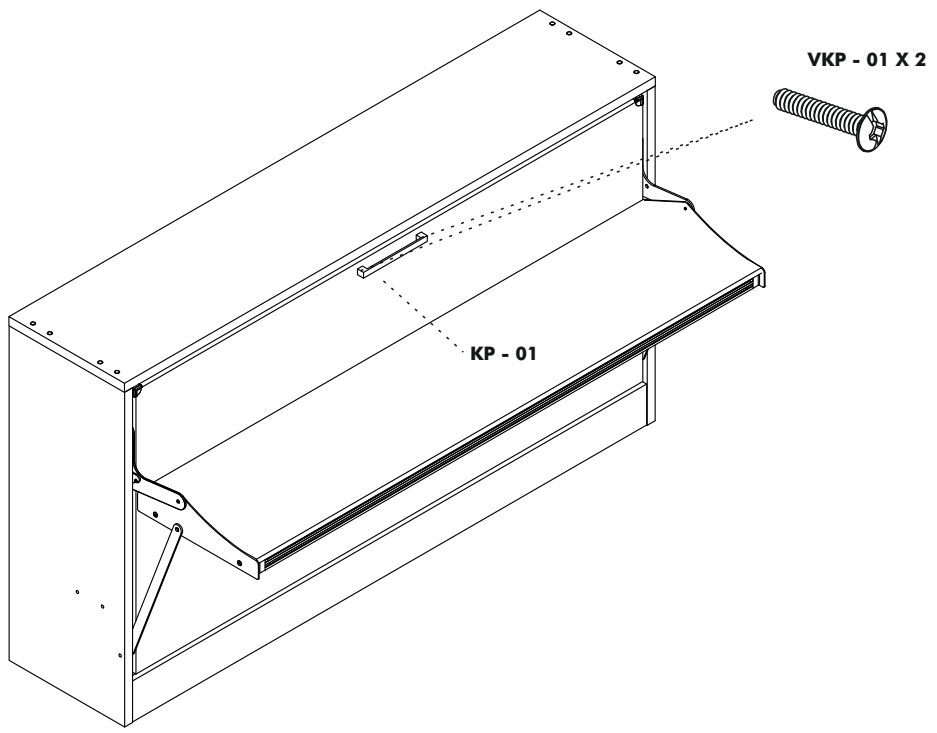
VIDEO



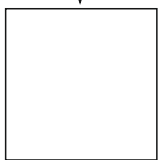
link



**STEP 18**

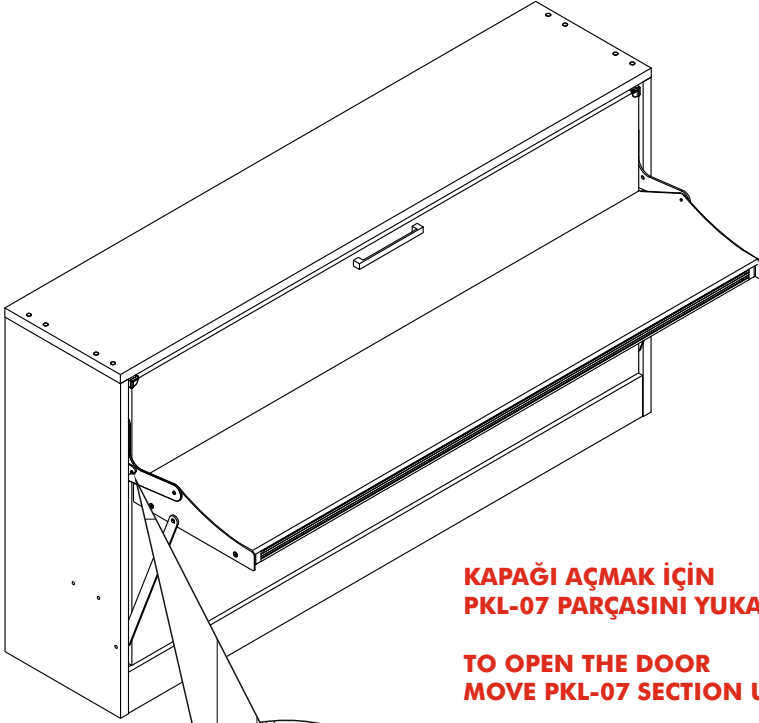


**VIDEO**



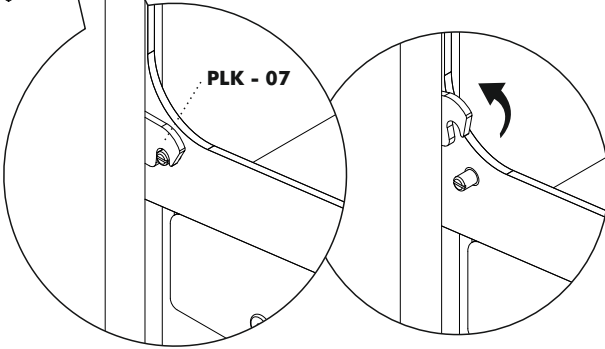
link

STEP 19

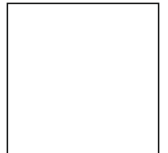


**KAPAĞI AÇMAK İÇİN  
PKL-07 PARÇASINI YUKARIYA KALDIR**

**TO OPEN THE DOOR  
MOVE PKL-07 SECTION UP**



**VIDEO**



link

## ATTENTION / HOW TO / READ ME / OWNER'S GUIDE

1. When mounting on a regular drywall, furniture must be fastened to wood or metal studs. Solid walls made of brick, concrete or similar strong material are also acceptable. Do not mount furniture to paper-mache or sheet rock like material without properly affixing to stud.

2. For safety and product longevity you must periodically inspect the mounting and mechanical connections for integrity and tightness. Confirm hardware remains properly affixed and connections snug.

3. Wall Bed mattress thickness may not exceed 8 inch. Take care to remove pillows and excess blankets before closing. Doing so keeps mechanism free of obstruction and unnecessary stress.

4. Do not lean or rest heavy objects on side or top of furniture. This may cause balance issues and compromise the integrity of your mounting connections.

5. Please use the furniture's beds, desks and shelving as intended. Not designed to be sat, stood, leaned, jumped (etc) on. Improper use may cause personal injury and damage to property.

6. With seasonal humidity change you must inspect interior and exterior of furniture.

7. Single, Twin, Twin XL beds accommodate the weight of one person. Improperly sleeping more than one person risks injury to person and damage to property.

8. Before any un-mounting or disassembly please contact Multimo for technical support and instruction. Failure to properly detach risks injury to person and damage to property.

### 9. For Bunk Beds:

a. Always use provided ladder when accessing top bunk.

b. Be slow, careful and aware of surroundings when opening top bunk.

c. Do not horseplay. Beds are to be slept on only.

d. Some have legs that fully extend when open- be aware of where the leg is and will be.



**MULTiMO**

[www.multimo.com](http://www.multimo.com)