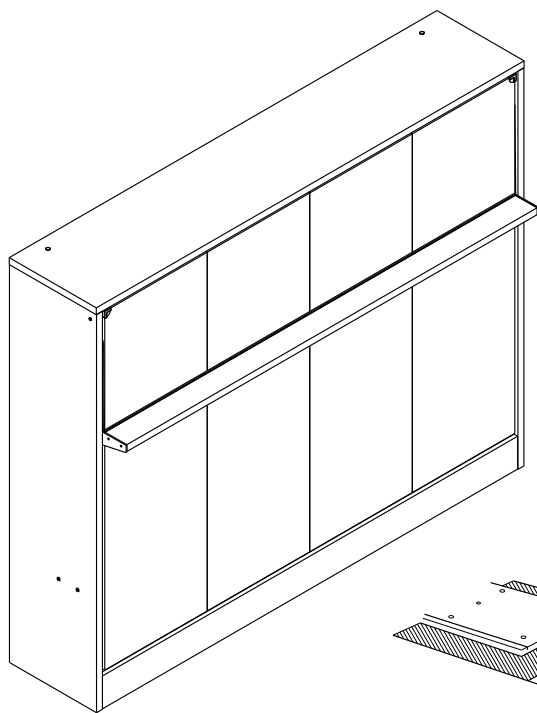








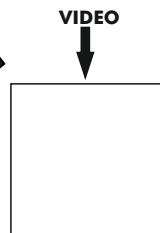
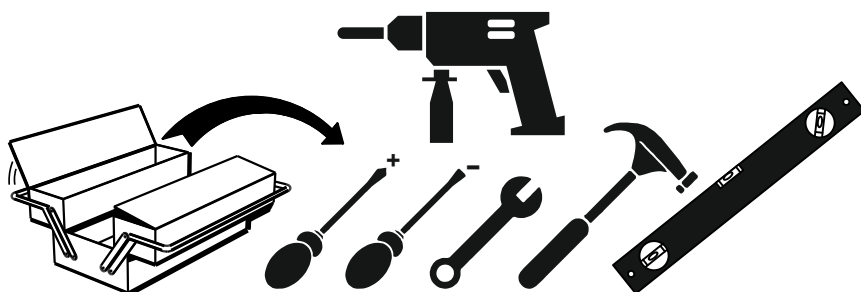
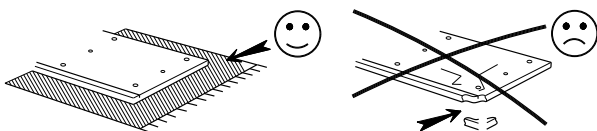
MULTIMO

226 ROYAL COUPLE BED



 **75** min.

Technical Service

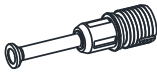
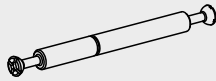



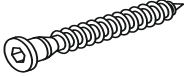

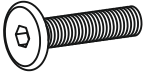

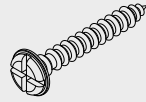
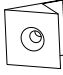
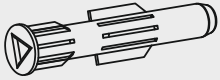

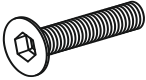

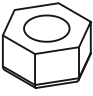
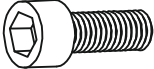

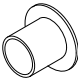

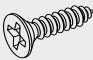
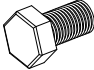

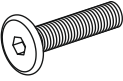
 **150** min.

End User

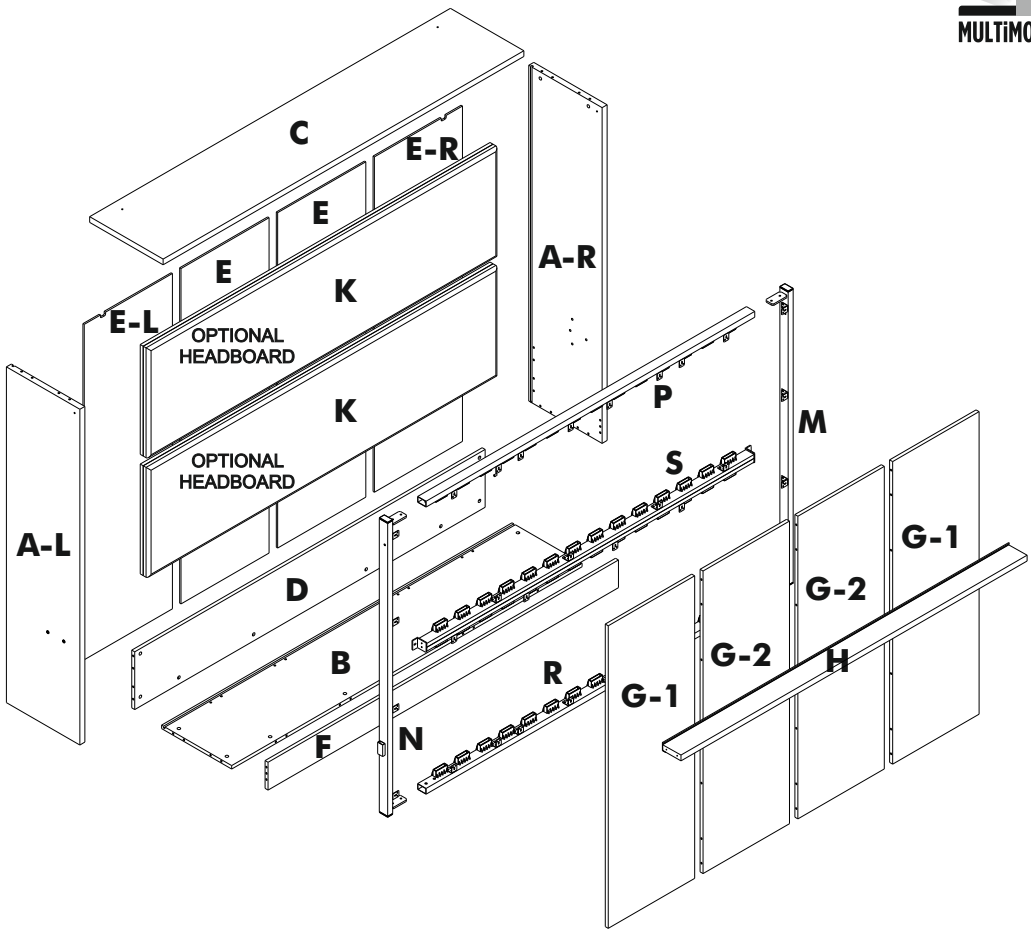


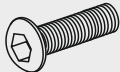

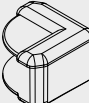
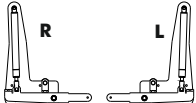
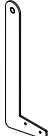
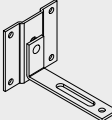
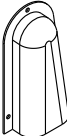

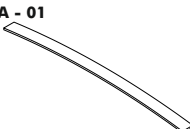

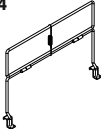
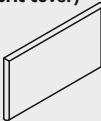
link

Track Title	Piece	(inch)			(mm)			
		Thickness	Length	Width	Piece	Thick	Height	Most
A-R / A-L	2	1,18	68,58	17,32	2	30	1742	440
B	1	0,71	82,68	16,54	1	18	2100	420
C	1	1,18	85,12	17,32	1	30	2162	440
D	1	0,71	82,68	11,81	1	18	2100	300
E	3	0,31	68,50	20,79	3	8	1740	528
F	1	0,71	82,68	5,67	1	18	2100	144
G-1	2	0,71	61,81	20,39	2	18	1570	518
G-2	2	0,71	61,81	20,39	2	18	1570	518
H	1	1,18	81,81	4,33	1	30	2078	110
K (OPTIONAL HEADBOARD)	2	1,97	82,48	22,44	2	50	2095	570

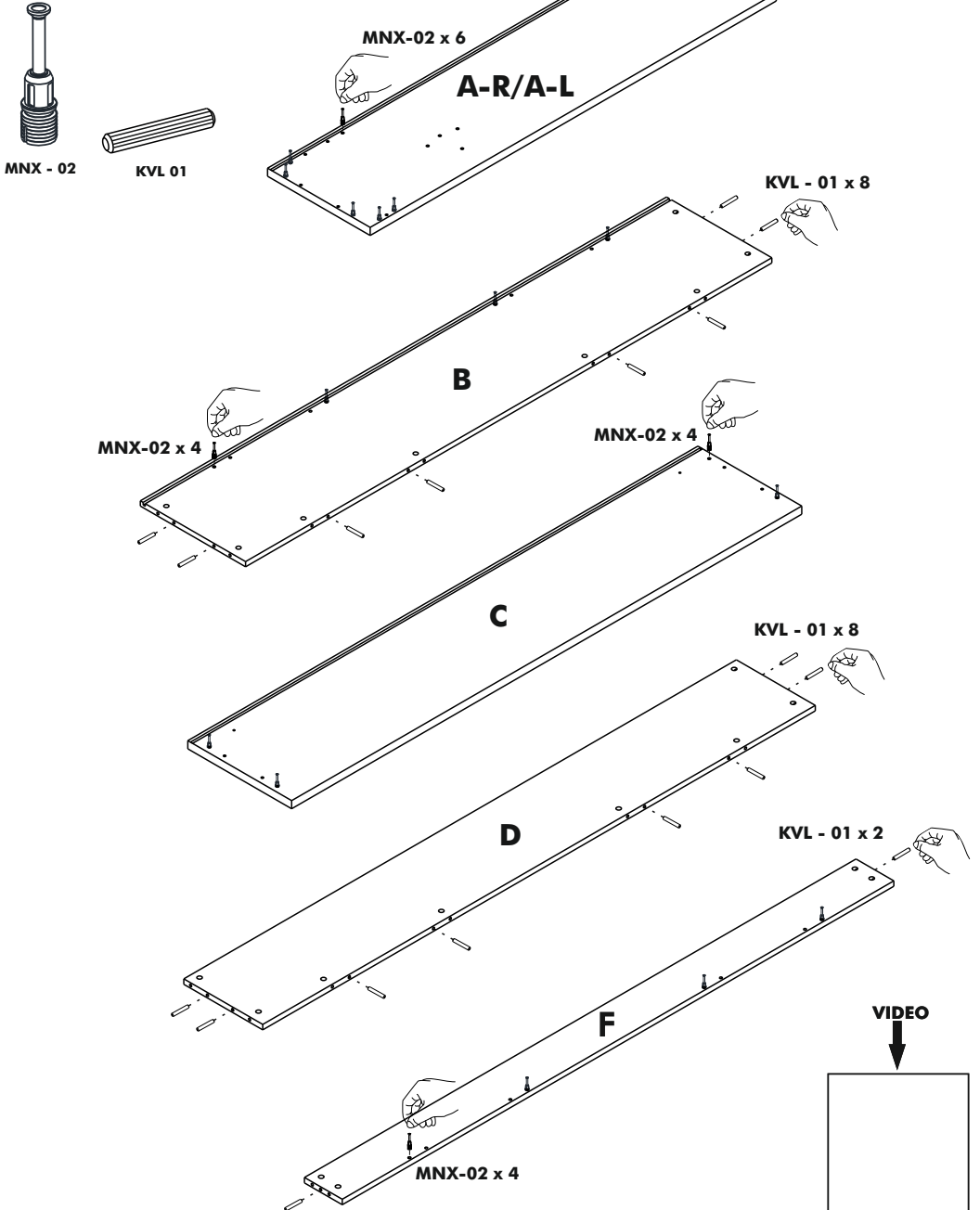
Accessories List

MNX 02  24 / piece	MNX - 03  9 / piece	MNG - 01  42 / piece	TAP - 01  44 / piece
KVL 01  34 / piece	VDA - 01 (6,5x50) mm  4 / piece	TAP - 02  4 / piece	CT - 01 (6x40) mm  2 / piece
OT-054  2 / piece	VD - 02 (3,5x25) mm  32 / piece	AVT - 01  8 / piece	DD - 02 (R8)  8 / piece
VD - 01(6X70) mm  8 / piece	HB - 04 (6x40) mm  2 / piece	PL - 01 (6x19x1) mm  2 / piece	SNO - 02 (M6)  2 / piece
IM - 01 (6x30) mm  4 / piece	SG - 01  2 / piece	OT-056D  2 / piece	VTB - 02 (4,2x16) mm  8 / piece
VD - 08 (4x18) mm  64 / piece	CTA - 01 (8x15) mm  8 / piece	PL - 05 (8x16x2) mm  10 / piece	CT - 08 (6x25) mm  2 / piece



CTM - 05 (8x45) mm  2 / piece	OT-056PE  2 / piece	KKS - 01  2 / piece	MKZ-10-70 M (1100 N)  1 / piece
SC - 92  2 / piece	DSE - 03  2 / piece	KMT - 02  2 / piece	KOR  1 / piece
LTA - 01  28 / piece	H 01  3 / piece	KOR 04 (30 X 50)  1 / piece	KLF 02 (fabric cover)  1 / piece

STEP 1

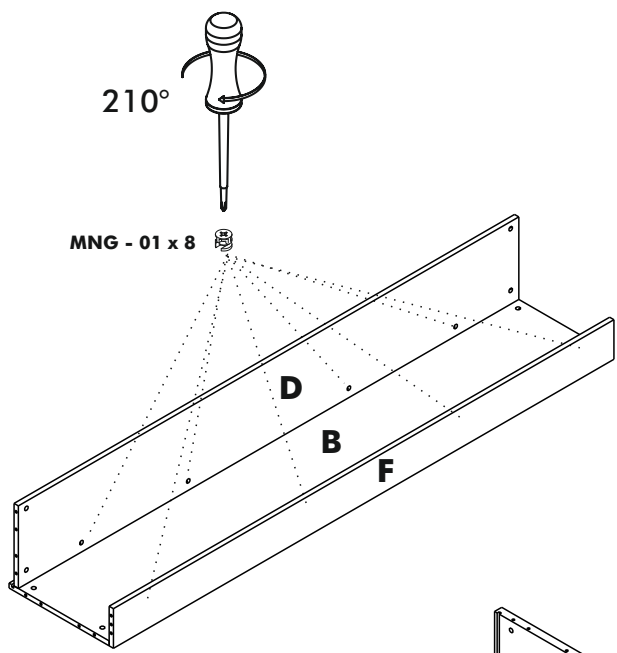


VIDEO

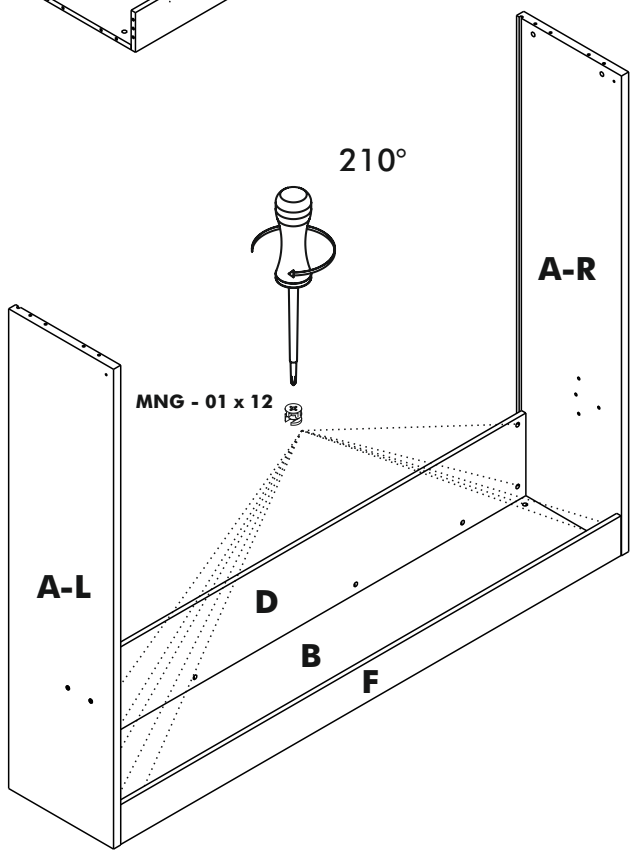


link

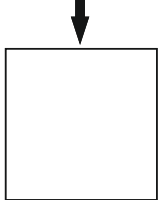
STEP 2



STEP 3

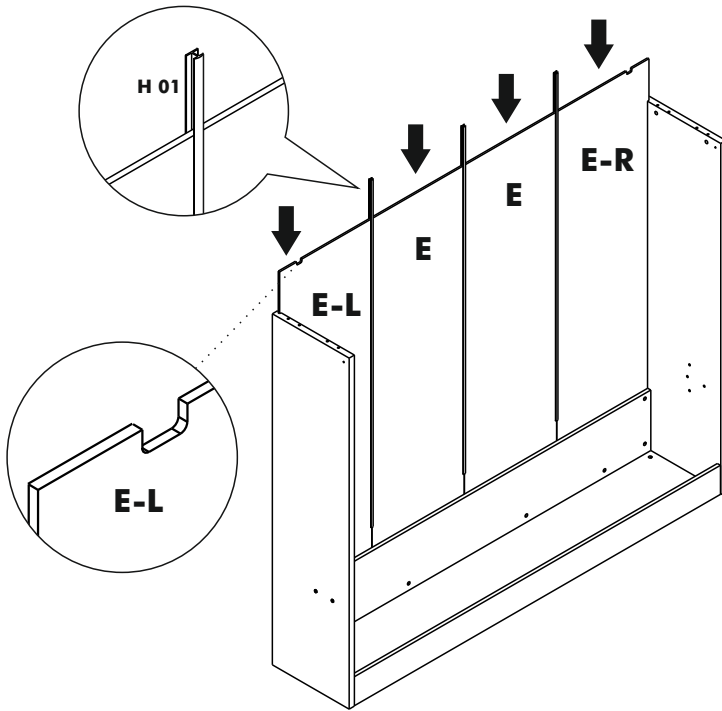


VIDEO

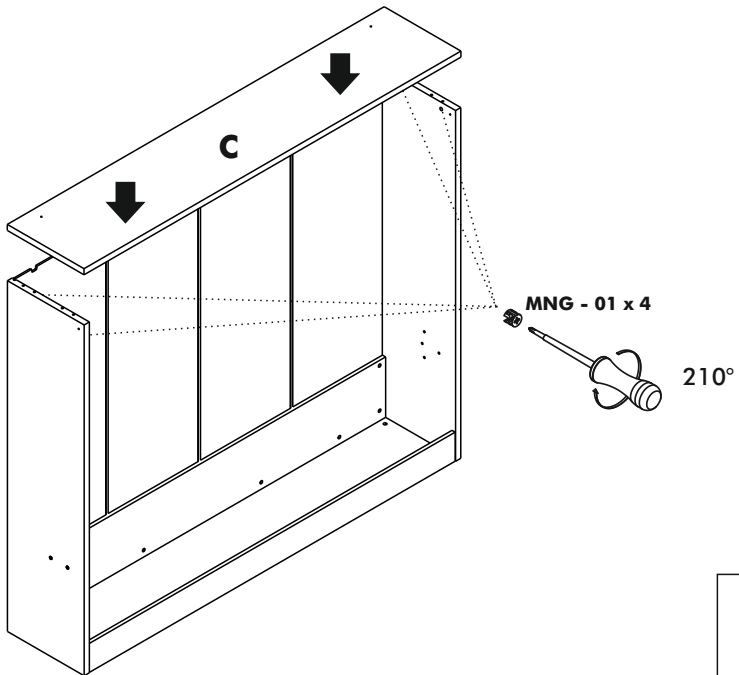


link

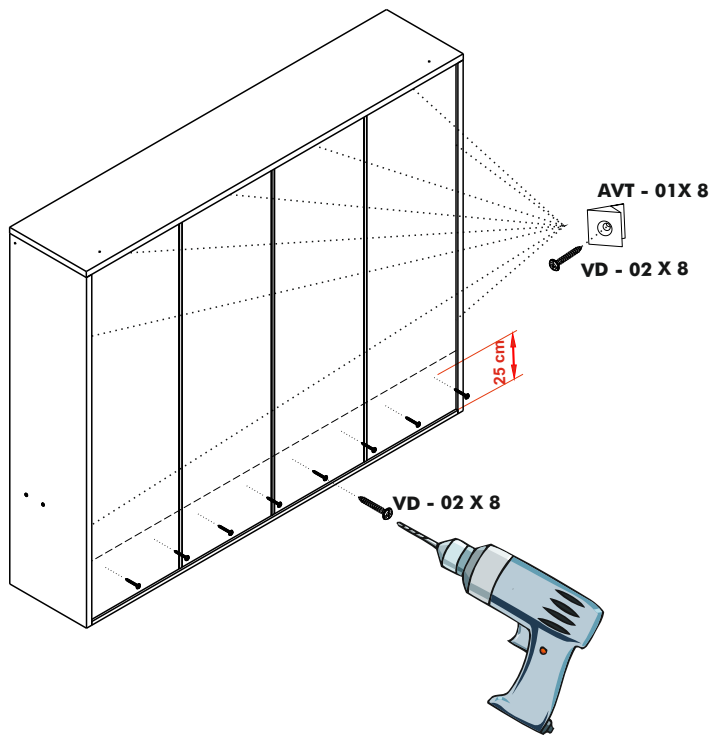
STEP 4



STEP 5

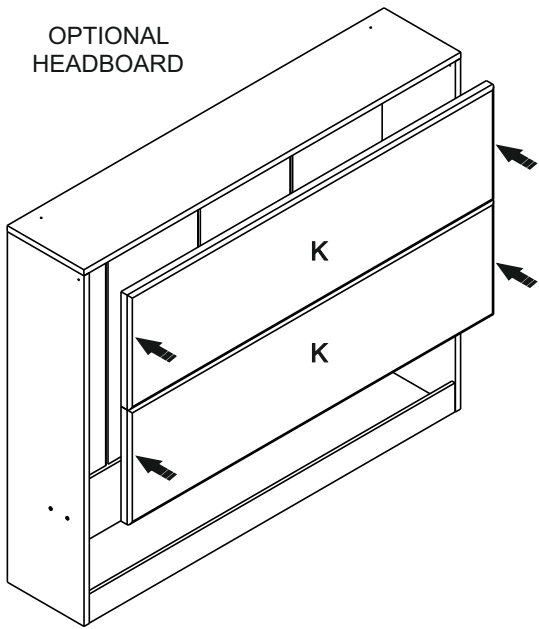


STEP 6

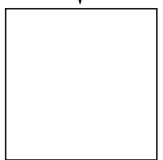


STEP 7

OPTIONAL
HEADBOARD



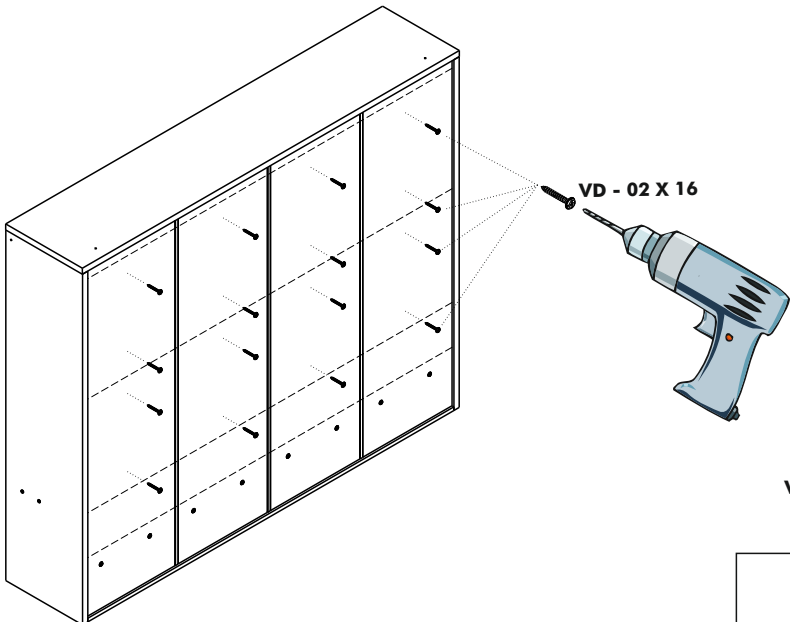
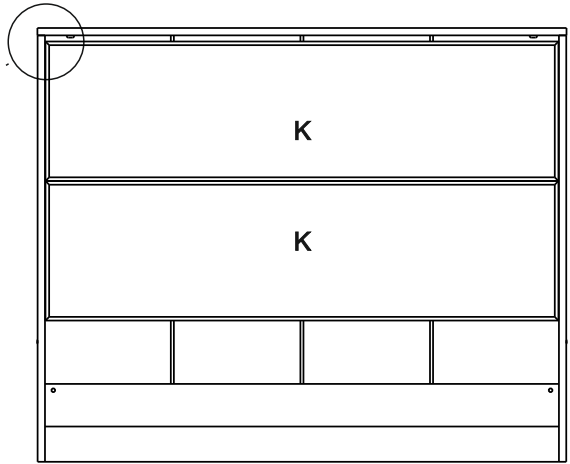
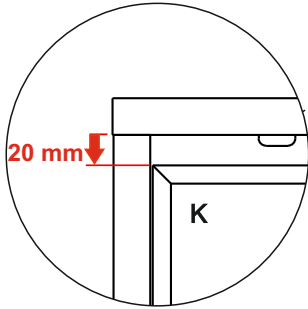
VIDEO



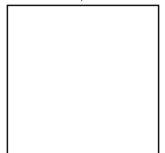
link

STEP 8

**OPTIONAL
HEADBOARD**

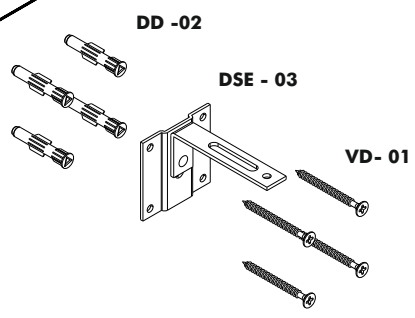
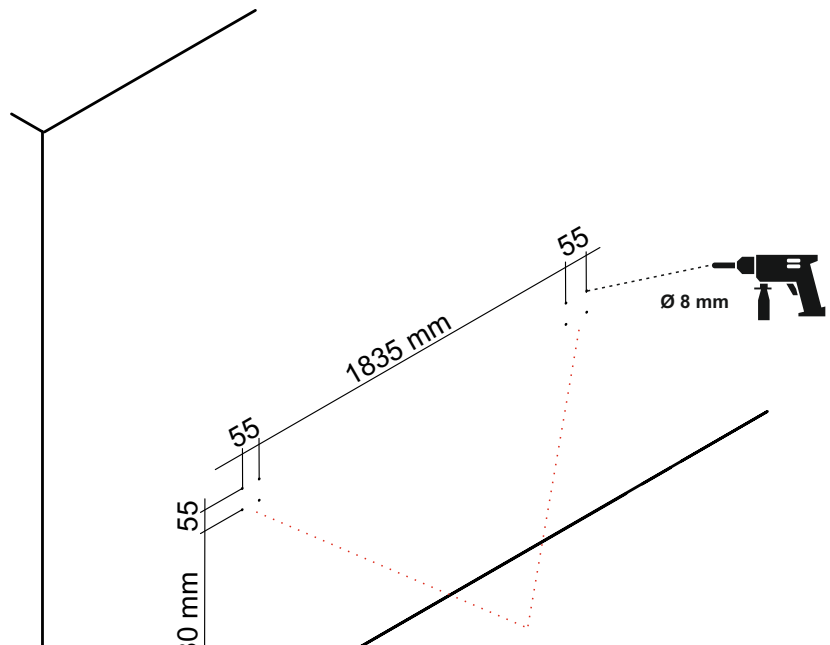
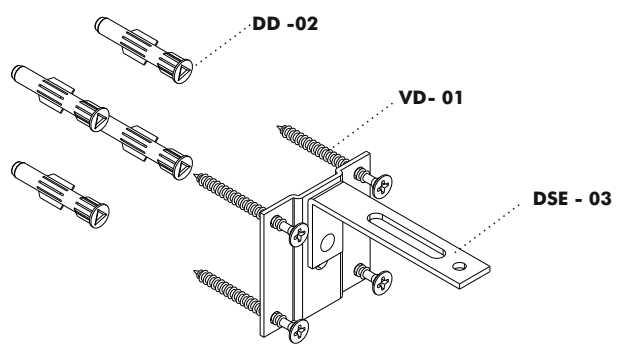


VIDEO

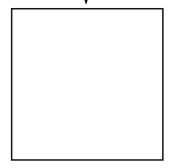


link

STEP 9

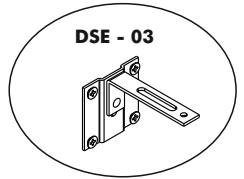
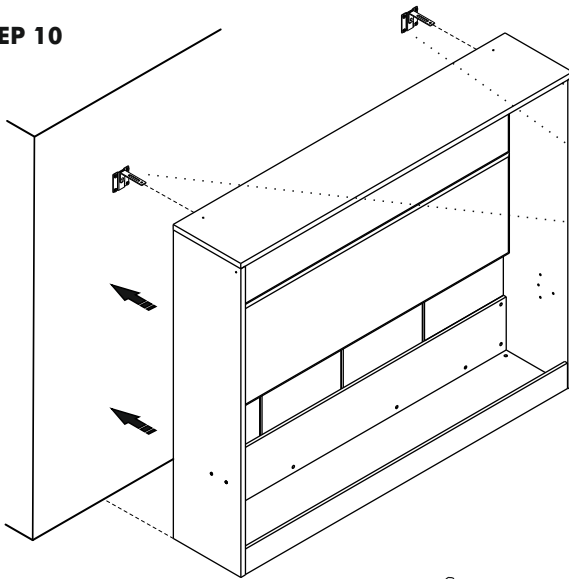


VIDEO

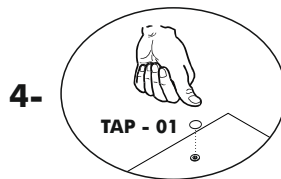
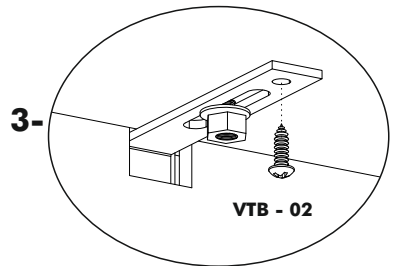
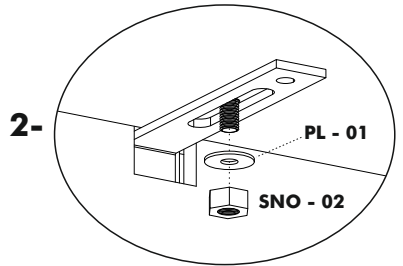
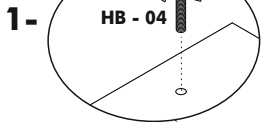
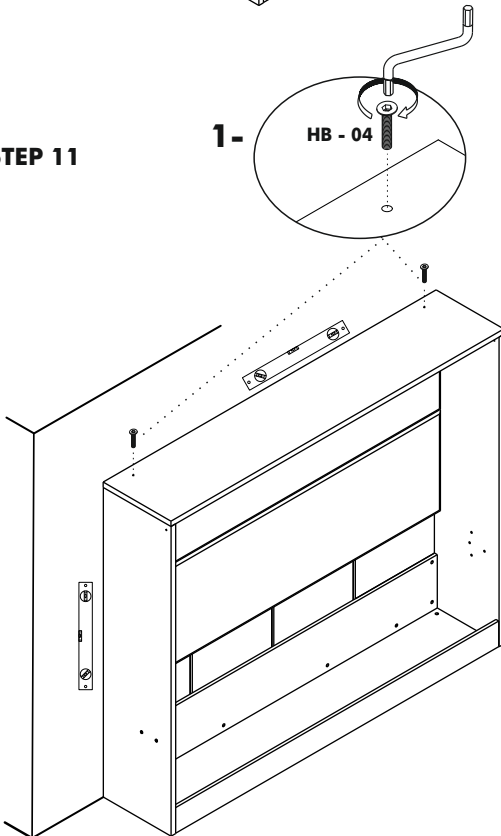


link

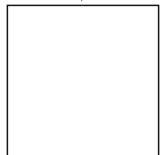
STEP 10



STEP 11

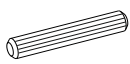


VIDEO

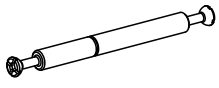


link

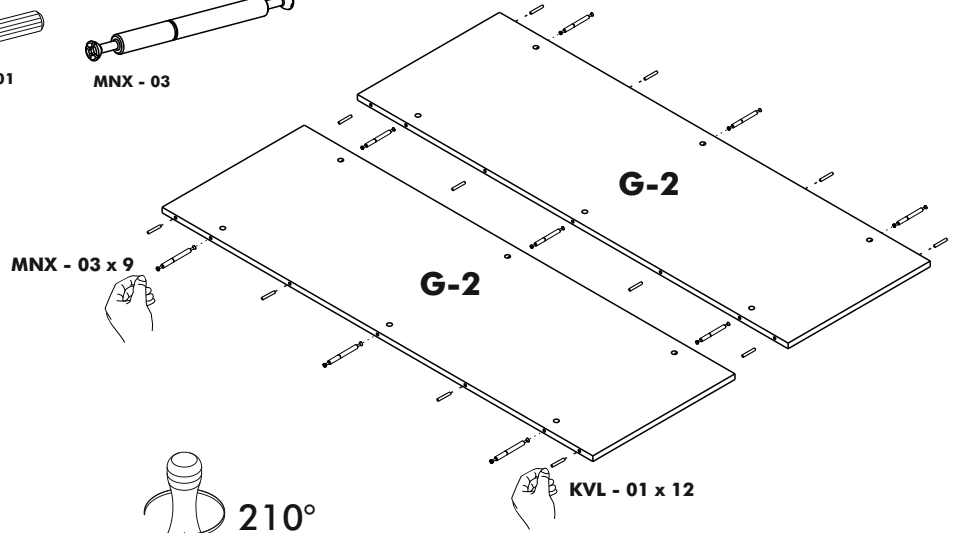
STEP 12



KVL 01



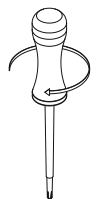
MNX - 03



STEP 13



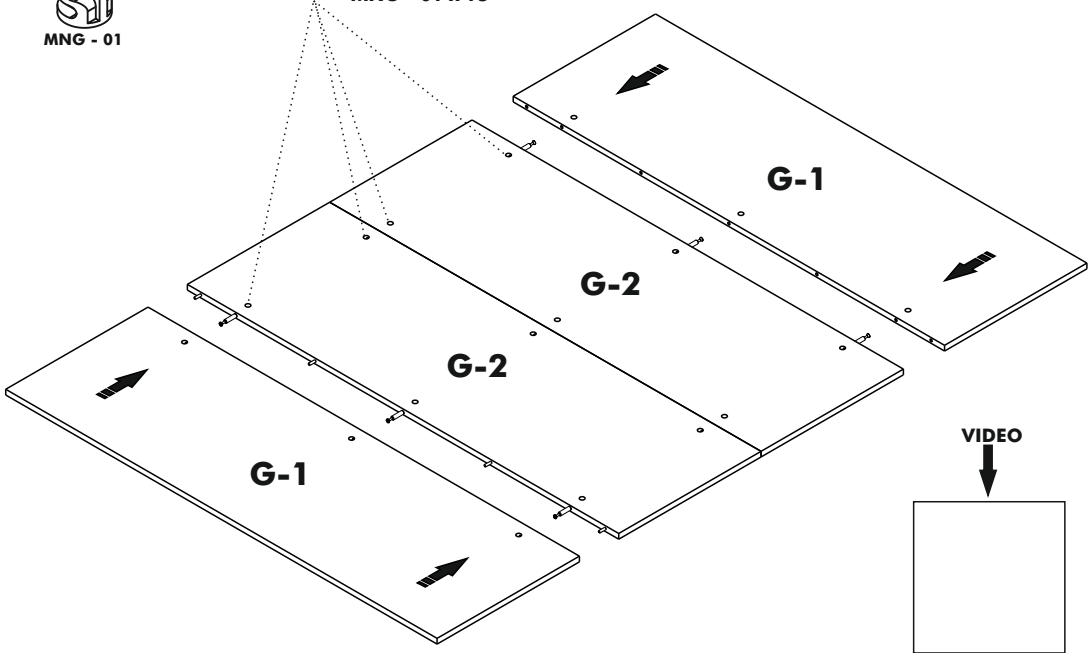
MNG - 01



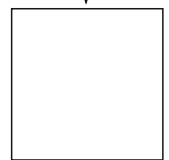
210°



MNG - 01 x 18

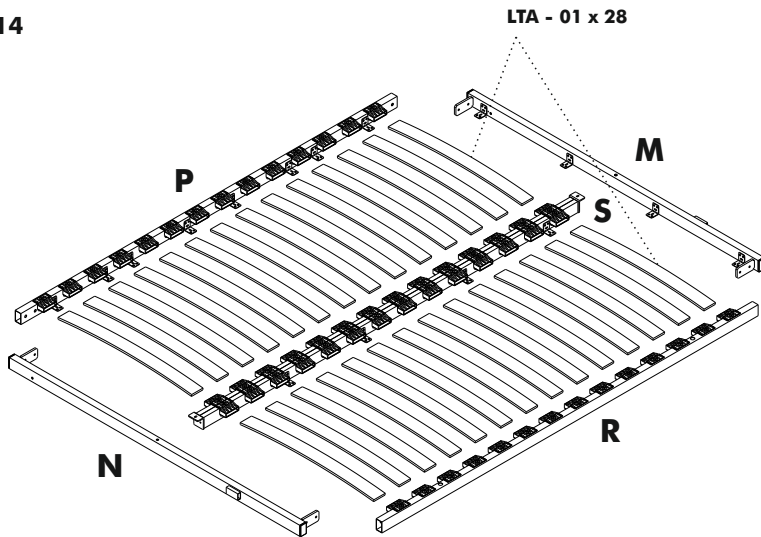


VIDEO

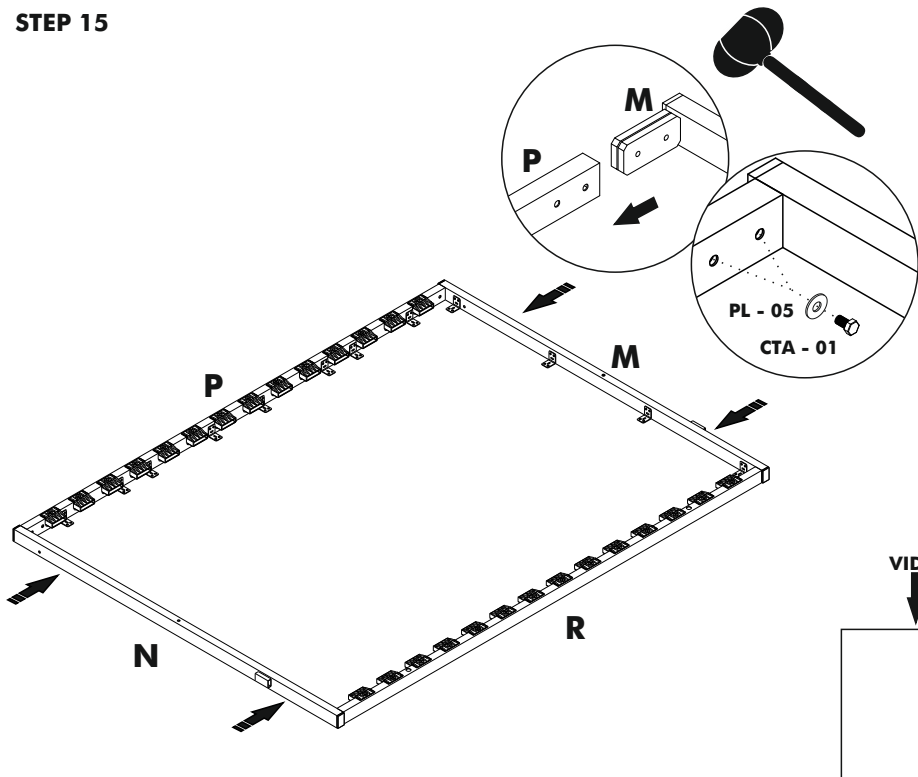


link

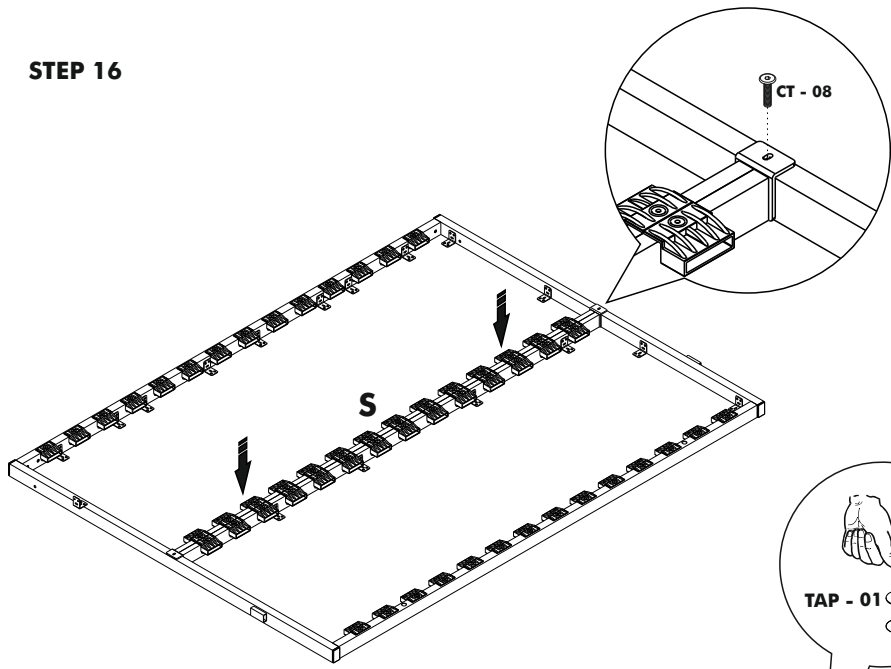
STEP 14



STEP 15



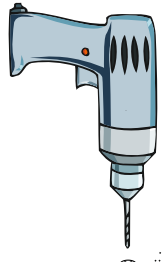
STEP 16



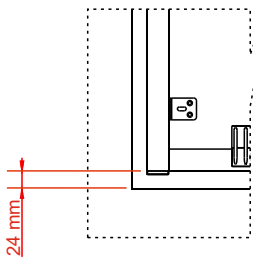
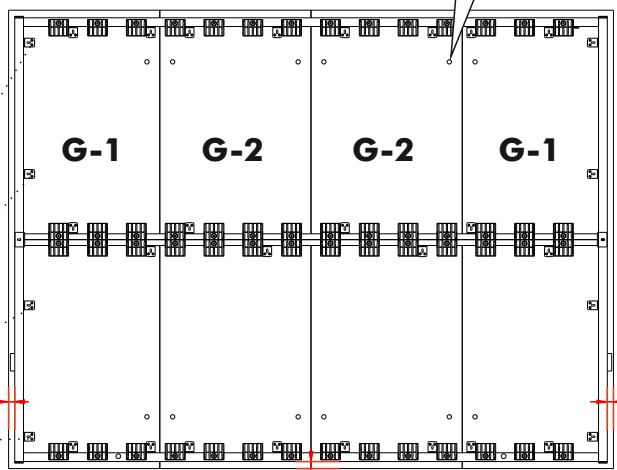
STEP 17

Dođru montaj için şarjlı matkap torqları, vidalamayı deforme etmeyecek şekilde ayarlanmalıdır!

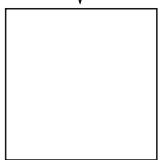
For correct installation, the cordless drill torque must be adjusted, not to damage or affect the screws!



VD - 08 x 64



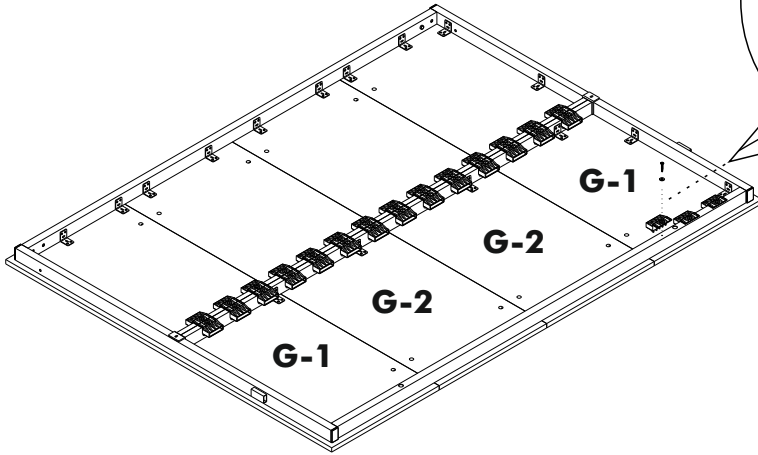
VIDEO



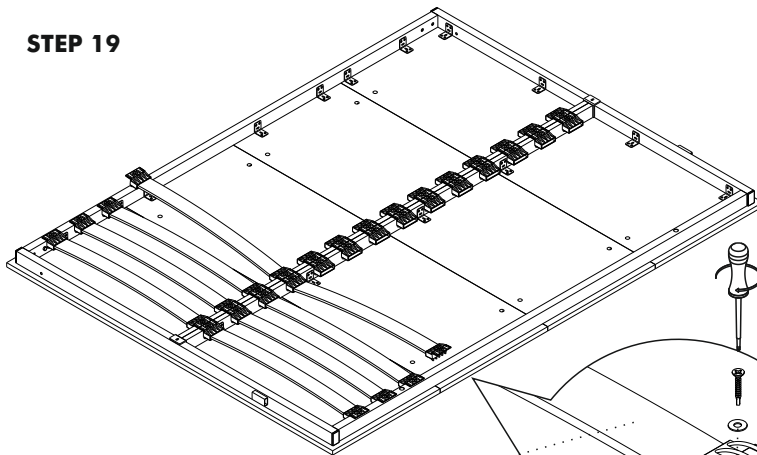
link

STEP 18

Unscrew the Screws

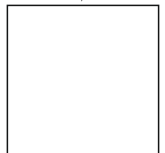


STEP 19

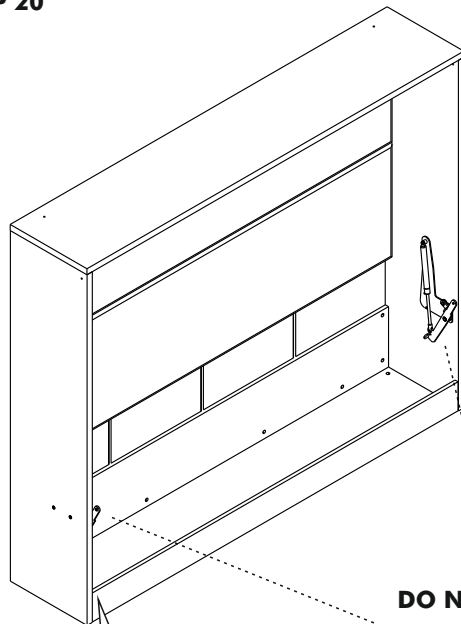


LTA - 01 x 28

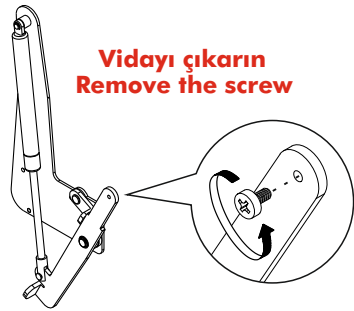
VIDEO



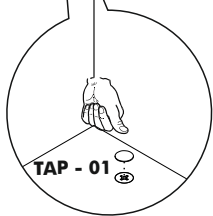
STEP 20



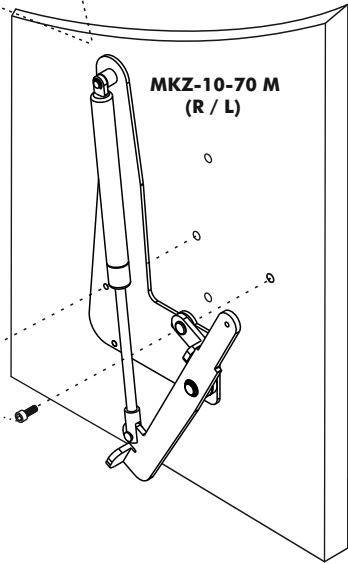
**Vidayı çıkarın
Remove the screw**



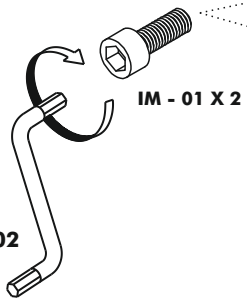
**CAUTION
DO NOT UNLOCK BEFORE INSTALL**



TAP - 01



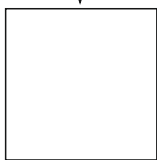
**MKZ-10-70 M
(R / L)**



IM - 01 X 2

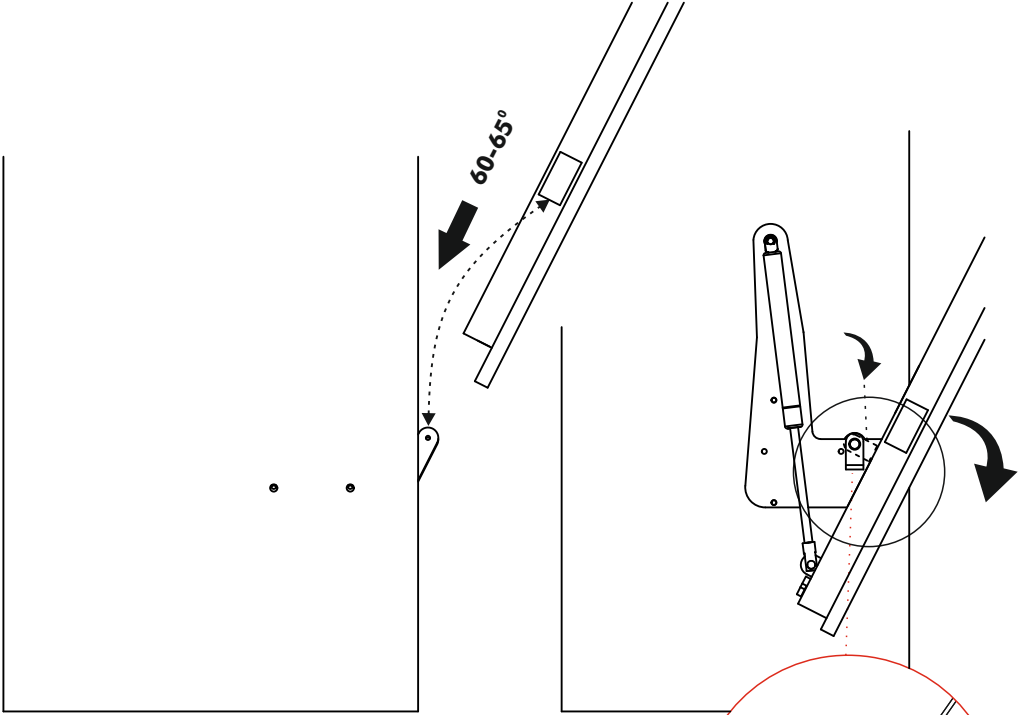
AL - 02

VIDEO

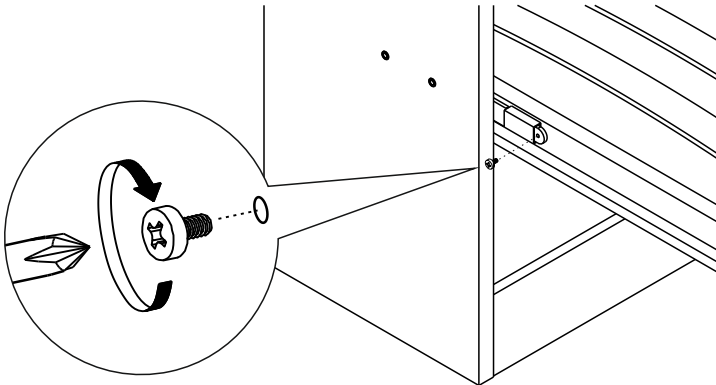
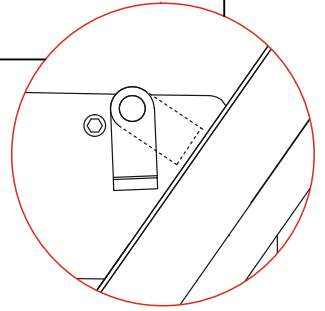


link

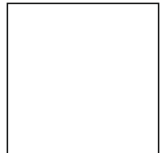
STEP 21



**KAPAK KAPATILMADAN KİLİDİ İNDİRİN !!!
LET THE STOPPER LOCK MOVE DOWN !!!**

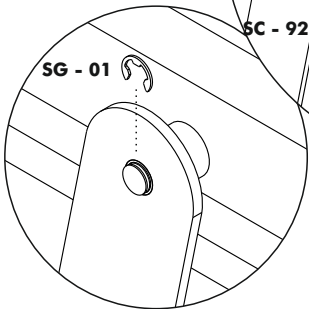
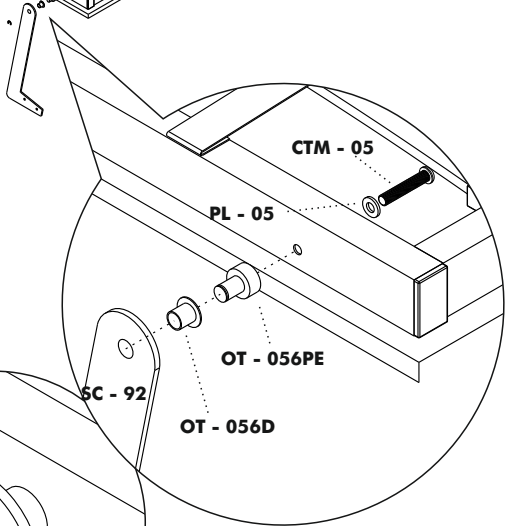
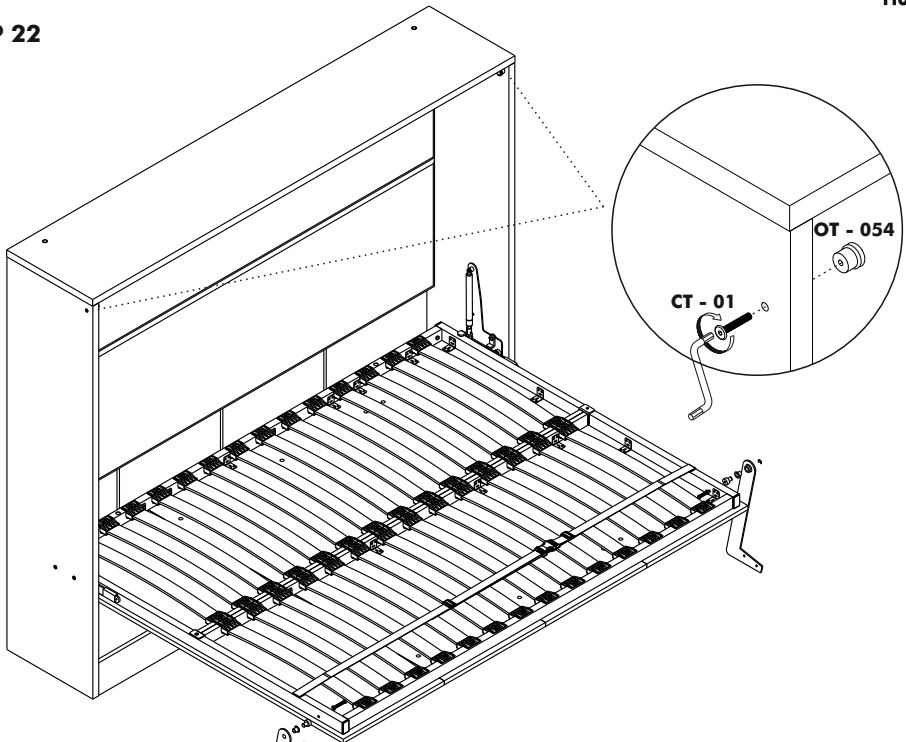


VIDEO

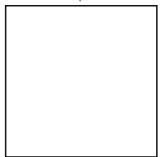


link

STEP 22

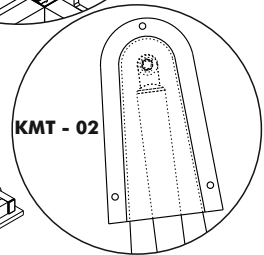
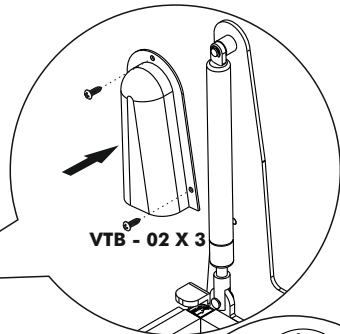
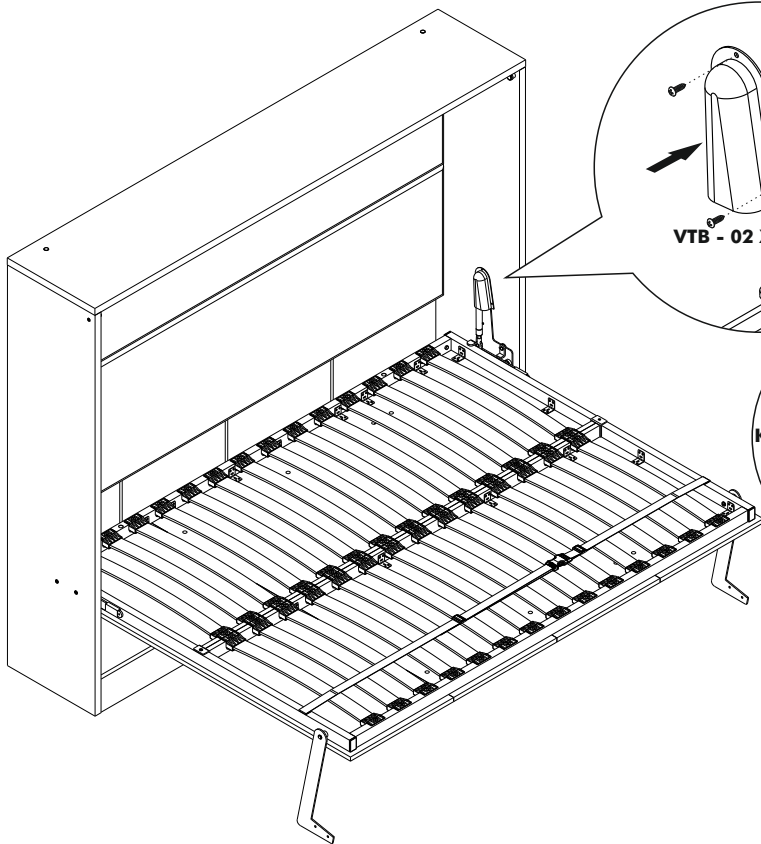


VIDEO
↓

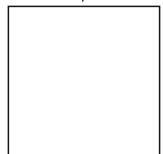


link

STEP 23

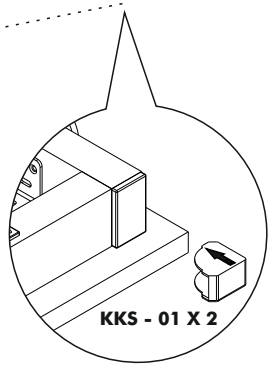
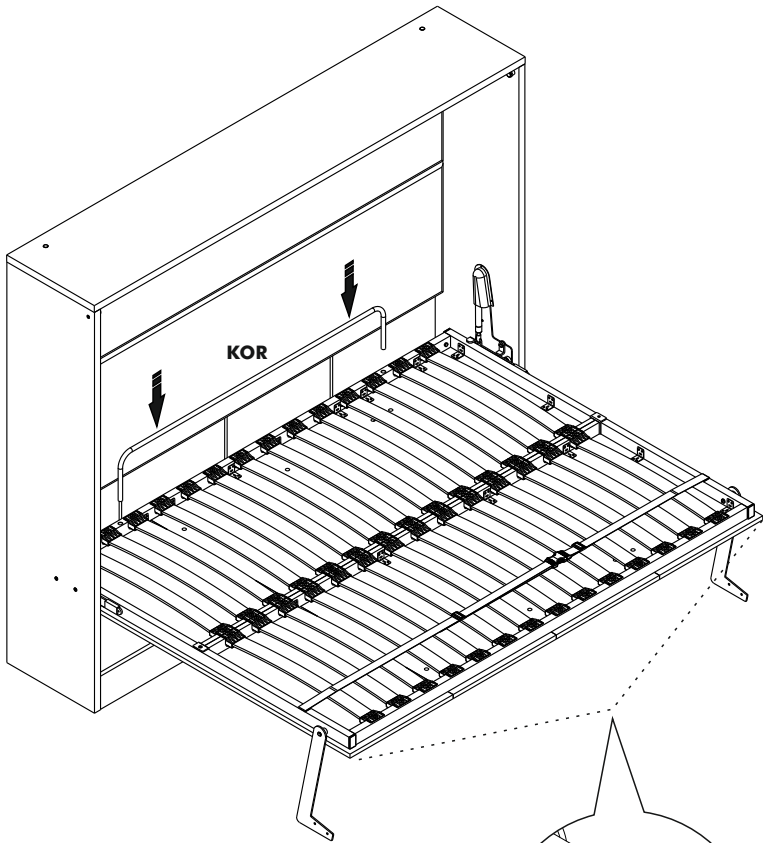


VIDEO

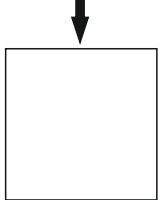


link

STEP 24

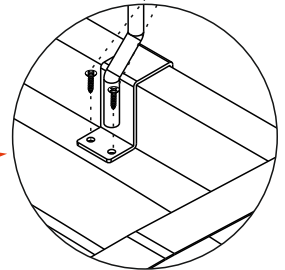
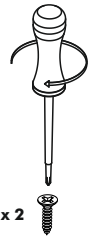
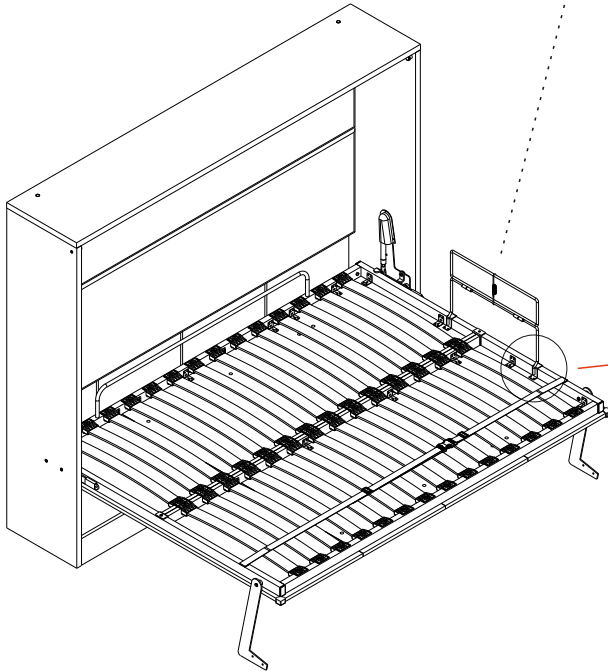
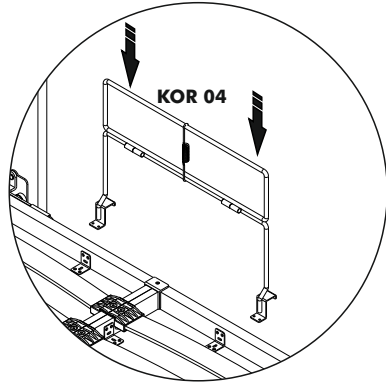
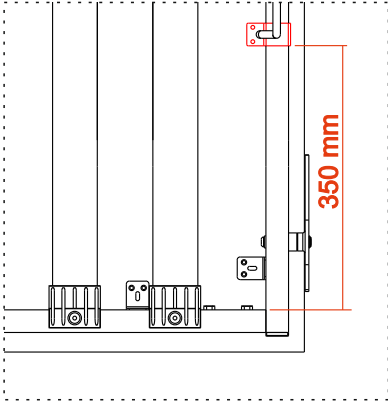


VIDEO

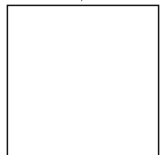


link

STEP 25

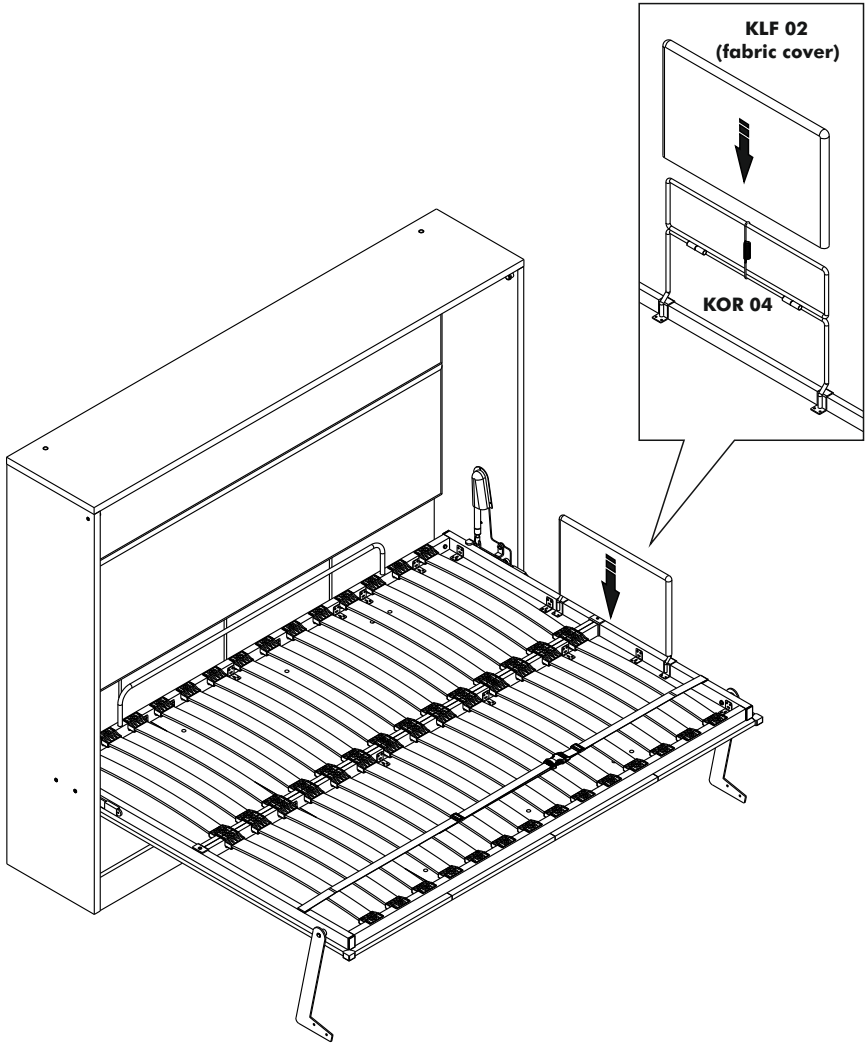


VIDEO

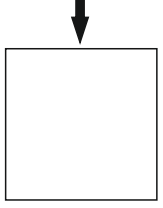


link

STEP 26

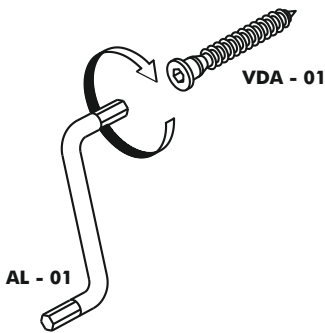
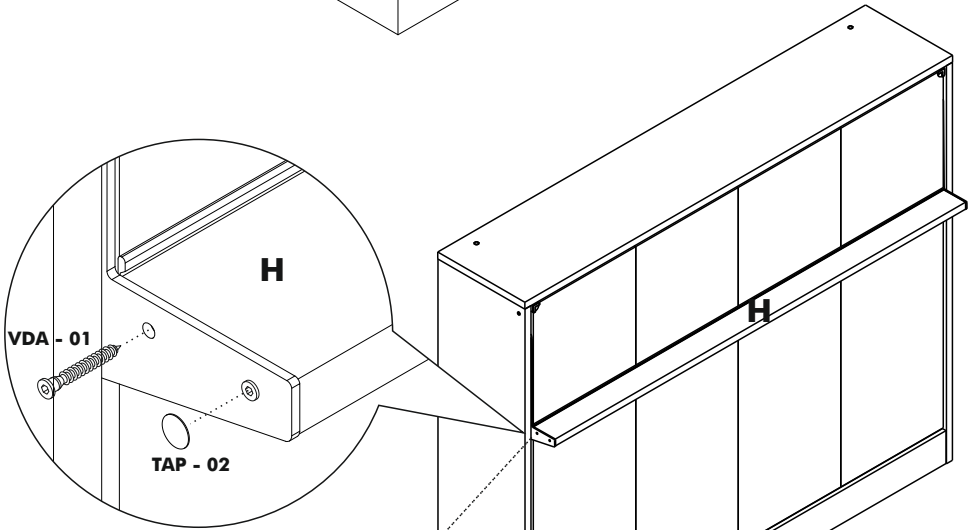
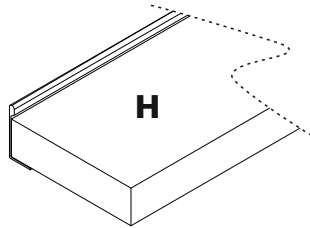


VIDEO

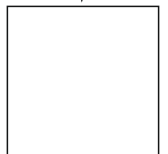


link

STEP 27



VIDEO



link

ATTENTION / HOW TO / READ ME / OWNER'S GUIDE

1. When mounting on a regular drywall, furniture must be fastened to wood or metal studs. Solid walls made of brick, concrete or similar strong material are also acceptable. Do not mount furniture to paper-mache or sheetrock (plasterboard) like material without properly fixing to stud.

2. For safety and product longevity you must periodically inspect the mounting and mechanical connections for integrity and tightness. Confirm hardware remains properly affixed and connections snug.

3. Wall Bed mattress thickness may not exceed 8 inches (200mm). Take care to remove pillows and excess blankets before closing. Doing so keeps mechanism free of obstruction and unnecessary stress.

4. Do not lean or rest heavy objects on side or top of furniture. This may cause balance issues and compromise the integrity of your mounting connections.

5. Please use the furniture's beds, desks and shelving as intended. Not designed to be sat, stood, leaned, jumped (etc) on. Improper use may cause personal injury and damage to property.

6. With seasonal humidity change you must inspect interior and exterior of furniture.

7. Single bed models are suitable for the weight of one person. Sleeping by more than one person will cause damage of the product.

8. Before any un-mounting or disassembly please contact Multimo for technical support and instruction. Failure to properly detach risks injury to person and damage to property.

9. For Bunk Beds:

- a. Always use provided ladder when accessing top bunk.
- b. Be slow, careful and aware of surroundings when opening top bunk.
- c. Do not horseplay. Beds are to be slept on only.
- d. Some have legs that fully extend when open- be aware of where the leg is and will be.



MULTiMO

www.multimo.com