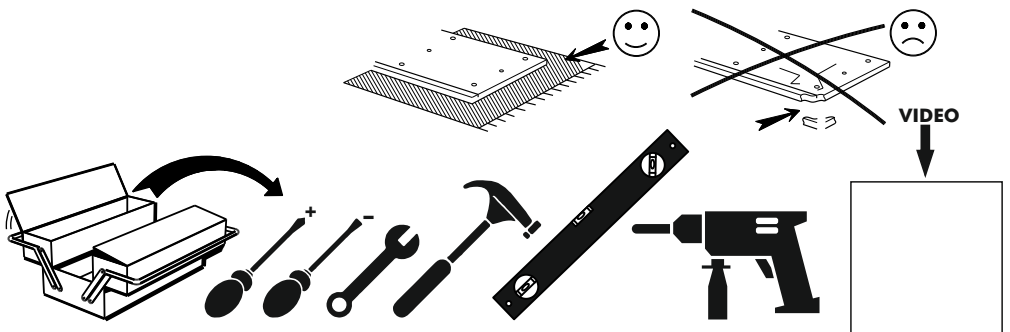
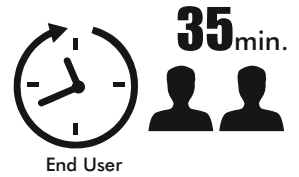
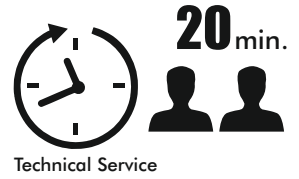
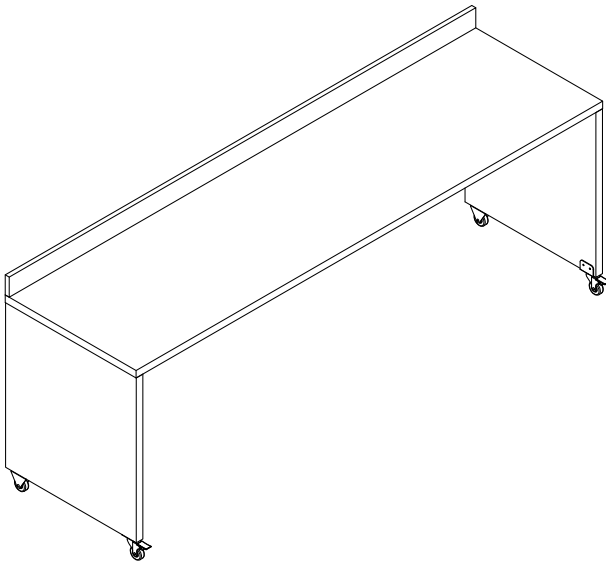




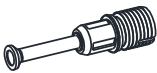

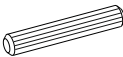
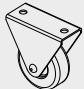

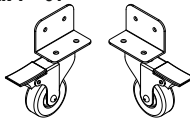
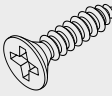
# MULTIMO

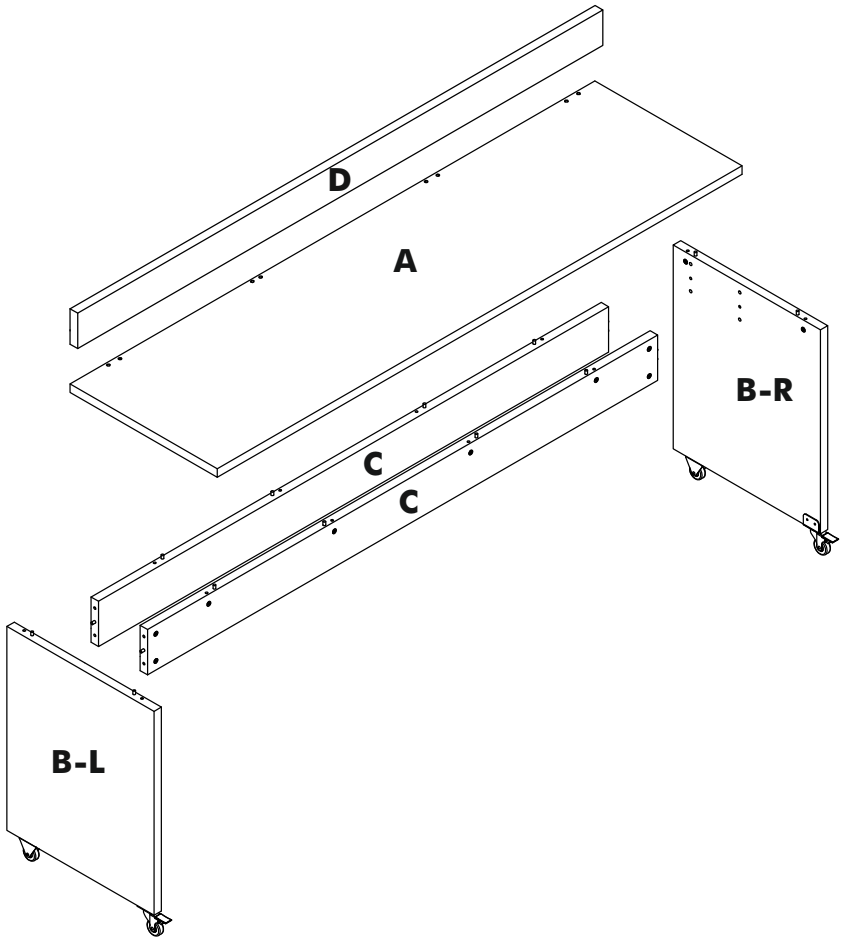
## 730-2 PRIMER TWIN BUNK TABLE



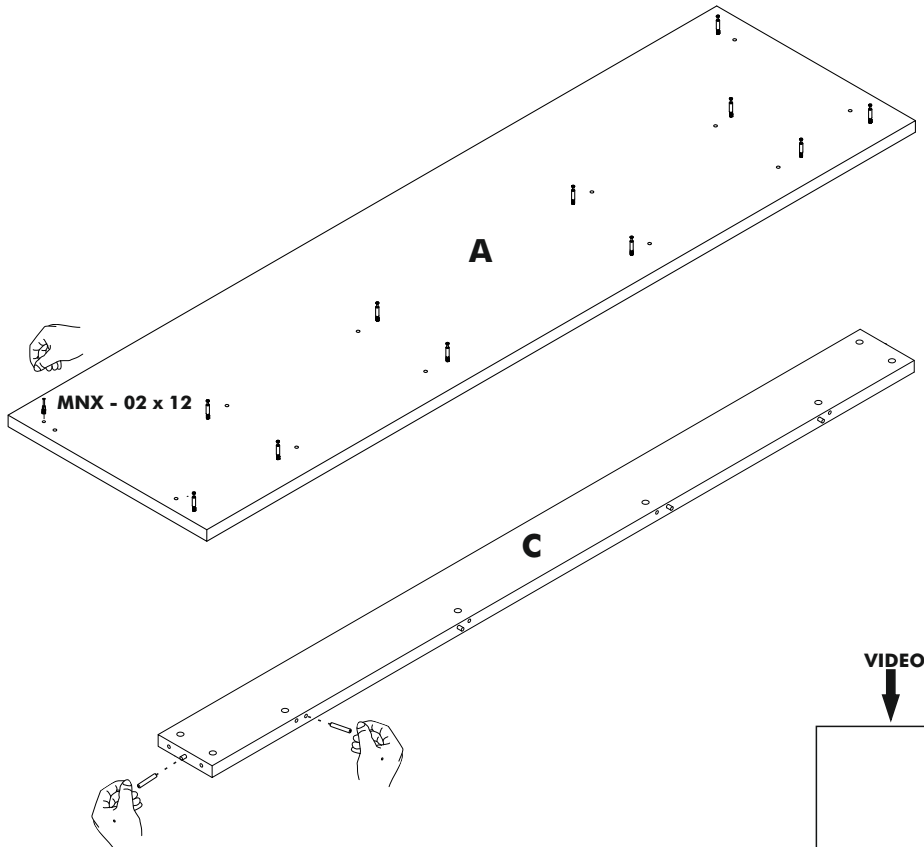
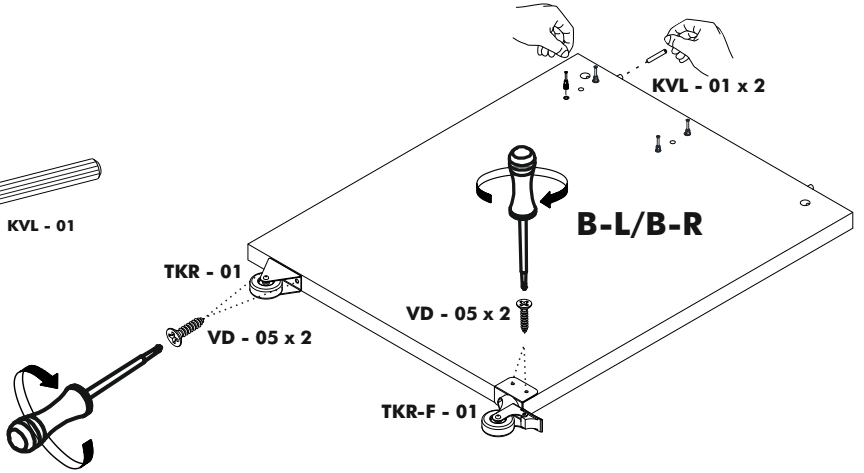
Track Title	(inch)				(mm)			
	Piece	Thickness	Length	Width	Piece	Thick	Height	Most
<b>A</b>		1,18	84,25	23,62	1	30	2140	600
<b>B</b>		1,18	25,79	23,62	2	30	655	600
<b>C</b>		0,71	81,81	5,12	2	18	2078	130
<b>D</b>		0,71	84,25	3,15	1	18	2140	80

### Accessories List

<b>MNX 02</b>  <b>24 / piece</b>	<b>MNG - 01</b>  <b>24 / piece</b>	<b>KVL 01</b>  <b>20 / piece</b>	<b>TKR - 01</b>  <b>2 / piece</b>
<b>TAP - 01</b>  <b>24 / piece</b>	<b>TKR-F - 01</b>  <b>2 / piece</b>	<b>VD - 05 ( 4x25 ) mm</b>  <b>8 / piece</b>	



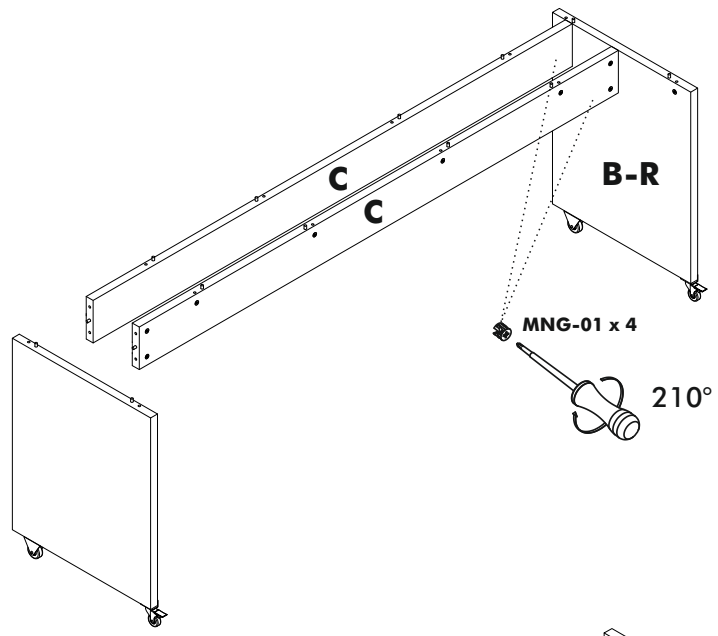
**STEP 1**



### STEP 2



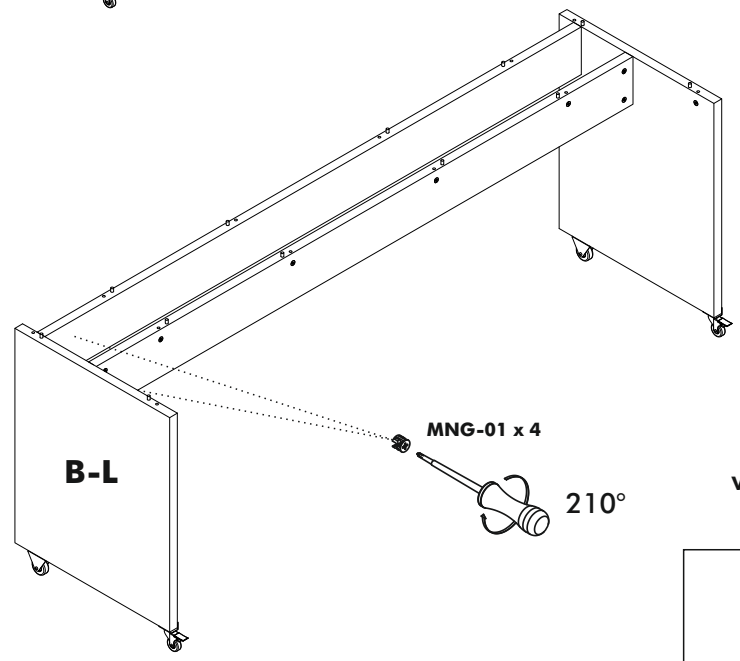
MNG - 01



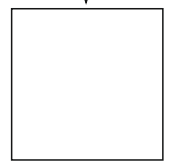
### STEP 3



MNG - 01



VIDEO



link

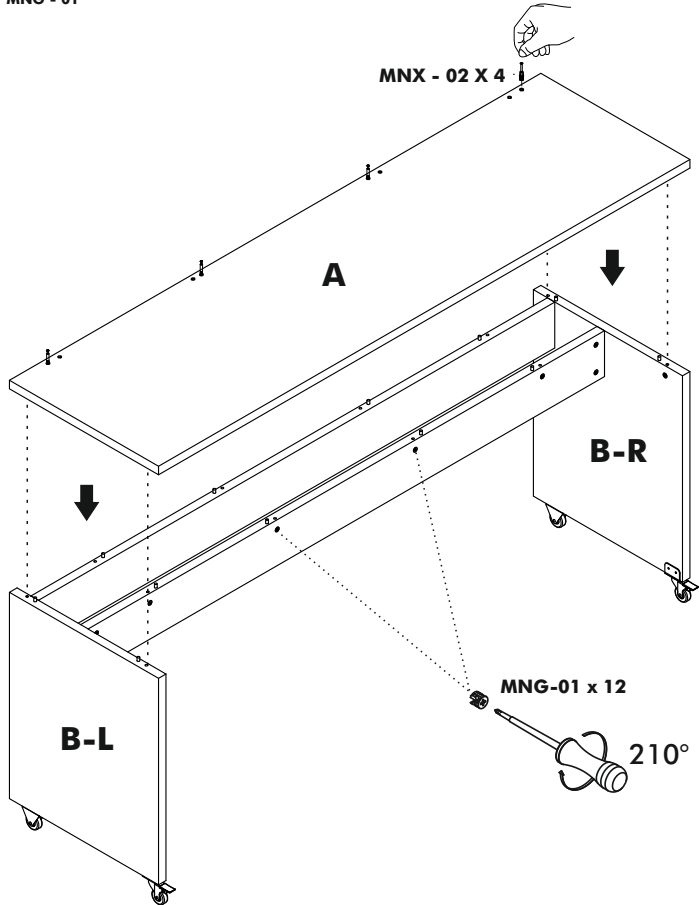
**STEP 4**



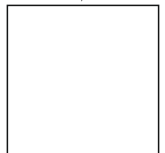
**MNX - 02**



**MNG - 01**



**VIDEO**

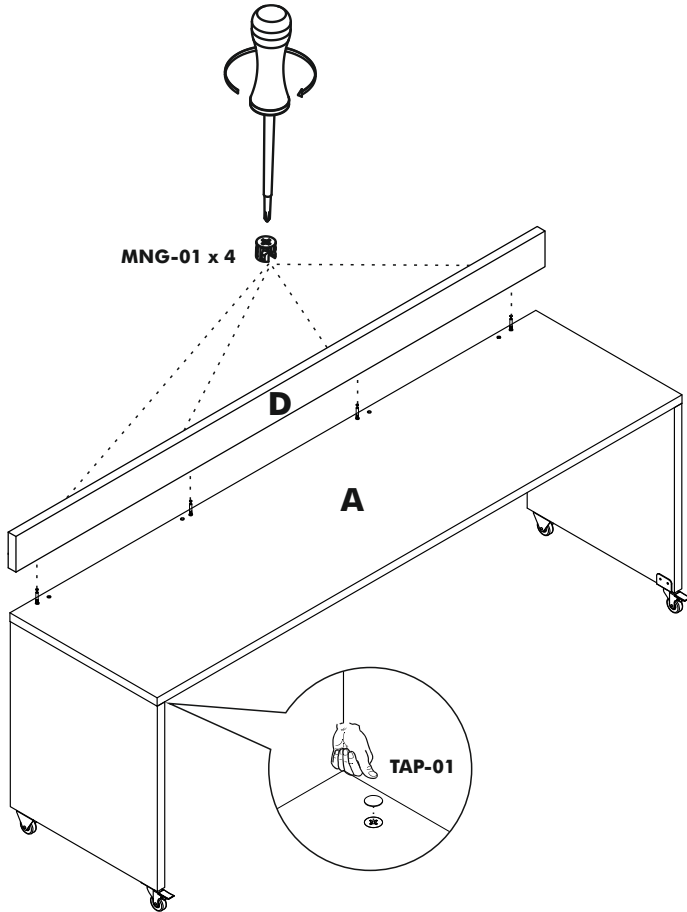


link

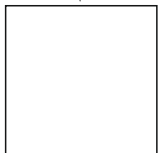
**STEP 5**



**MNG - 01**



**VIDEO**



link



[www.multimo.com](http://www.multimo.com)