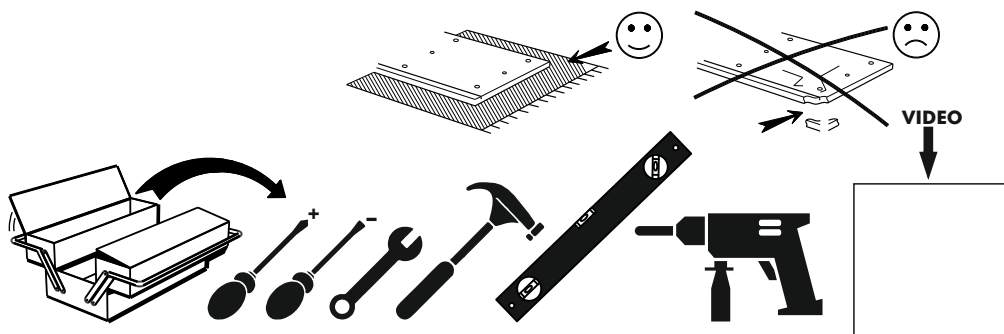
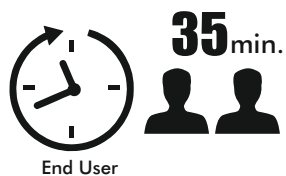
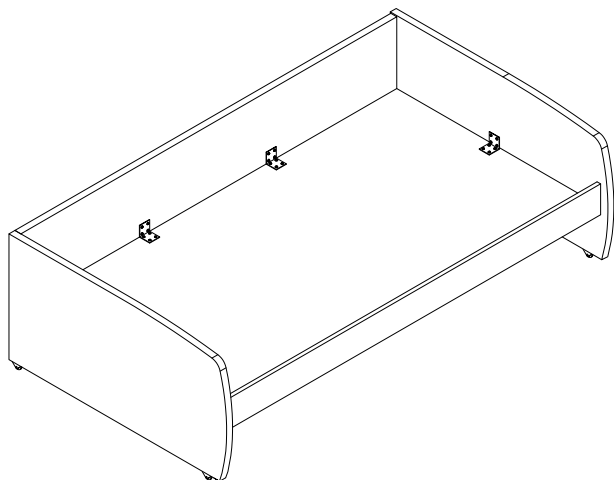




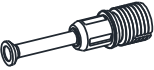

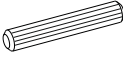

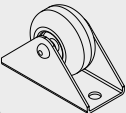
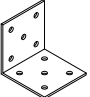

MULTIMO

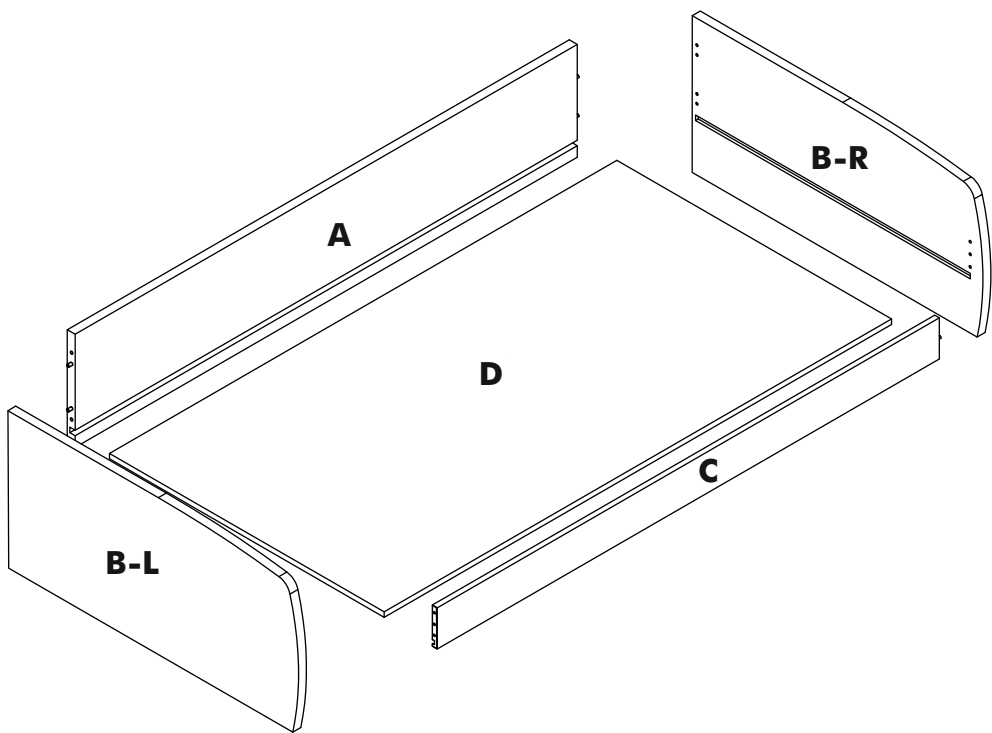
730-3 PRIMER TWIN BUNK TRUNDEL BED



Track Title	Piece	(inch)			(mm)			
		Thickness	Length	Width	Piece	Thick	Height	Most
A		0,71	78,74	15,75	1	18	2000	400
B		0,71	38,90	21,65	2	18	988	550
C		0,71	78,74	5,91	1	18	2000	150
D		0,71	79,45	36,89	1	18	2018	937

Accessories List

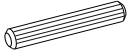
<p>MNX 02</p>  <p>8 / piece</p>	<p>MNG - 01</p>  <p>8 / piece</p>	<p>KVL 01</p>  <p>6 / piece</p>	<p>VTB - 01 (4,8x16) mm</p>  <p>56 / piece</p>
<p>TKR-01 (32) mm</p>  <p>4 / Piece</p>	<p>KB - 01</p>  <p>6 / piece</p>	<p>TAP - 01</p>  <p>8 / piece</p>	



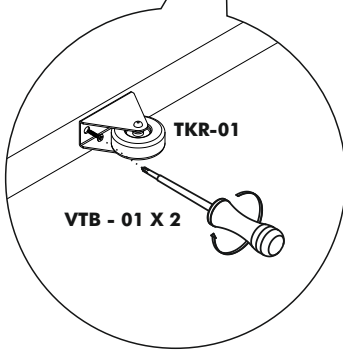
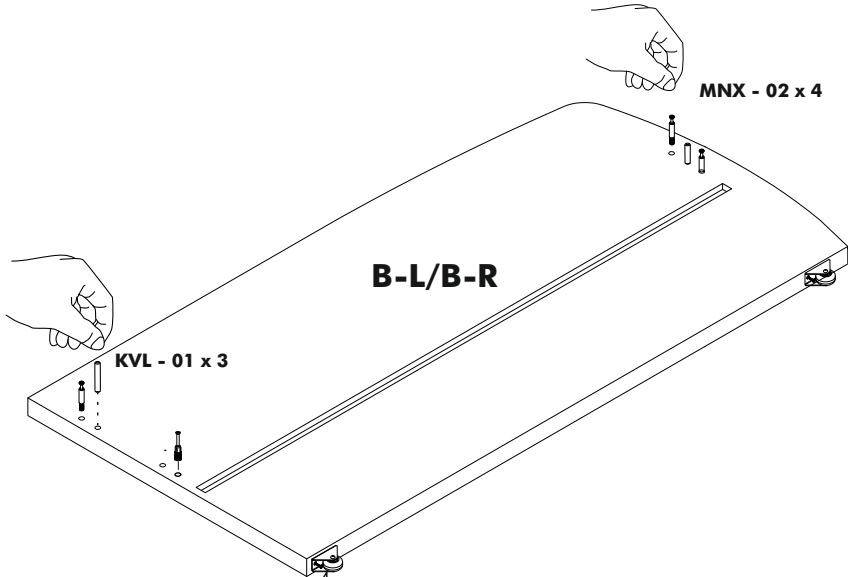
STEP 1



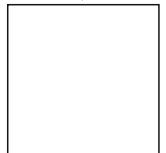
MNX - 02



KVL - 01

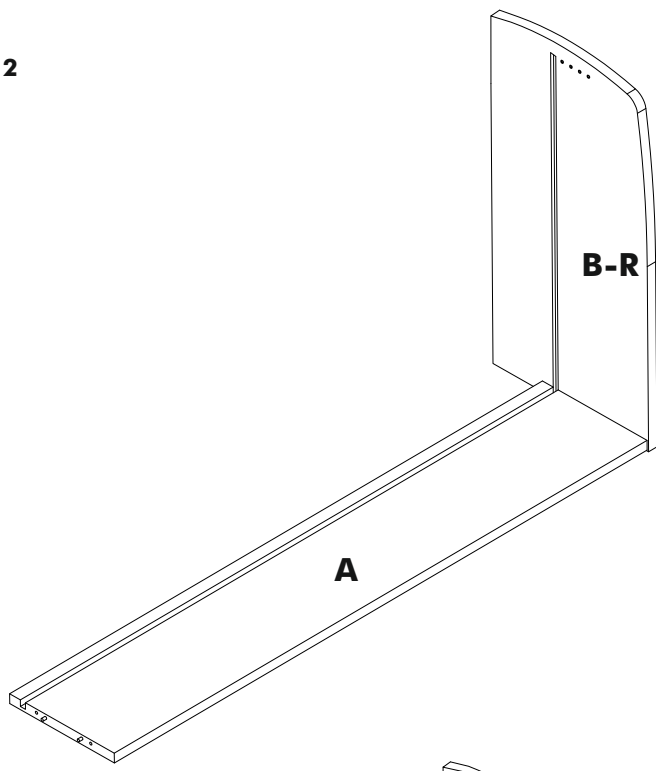


VIDEO

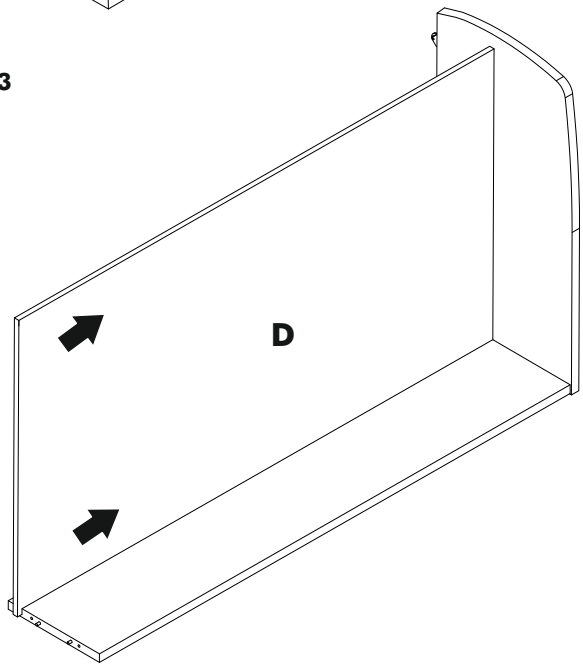


link

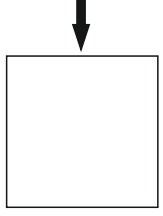
STEP 2



STEP 3



VIDEO

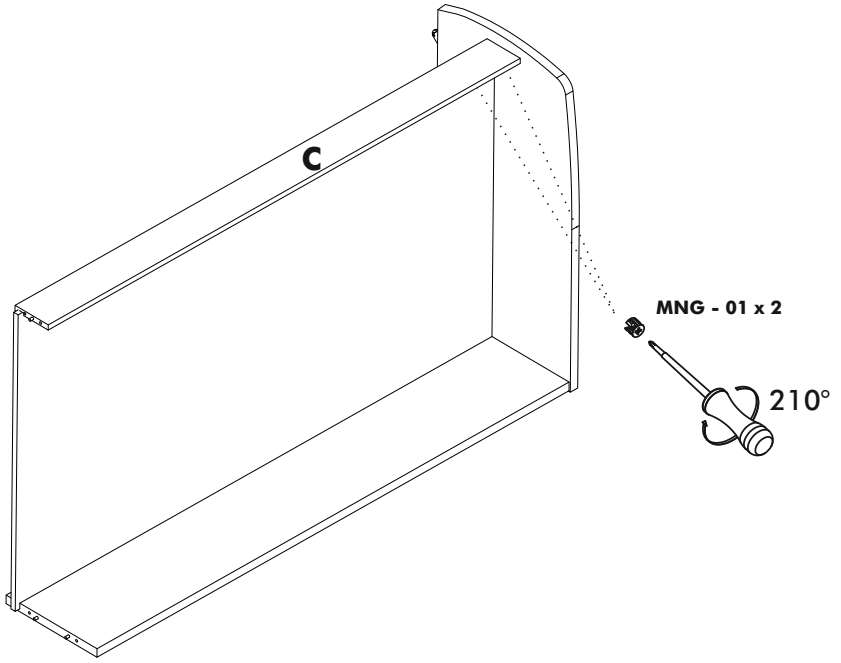


link

STEP 0
STEP 4



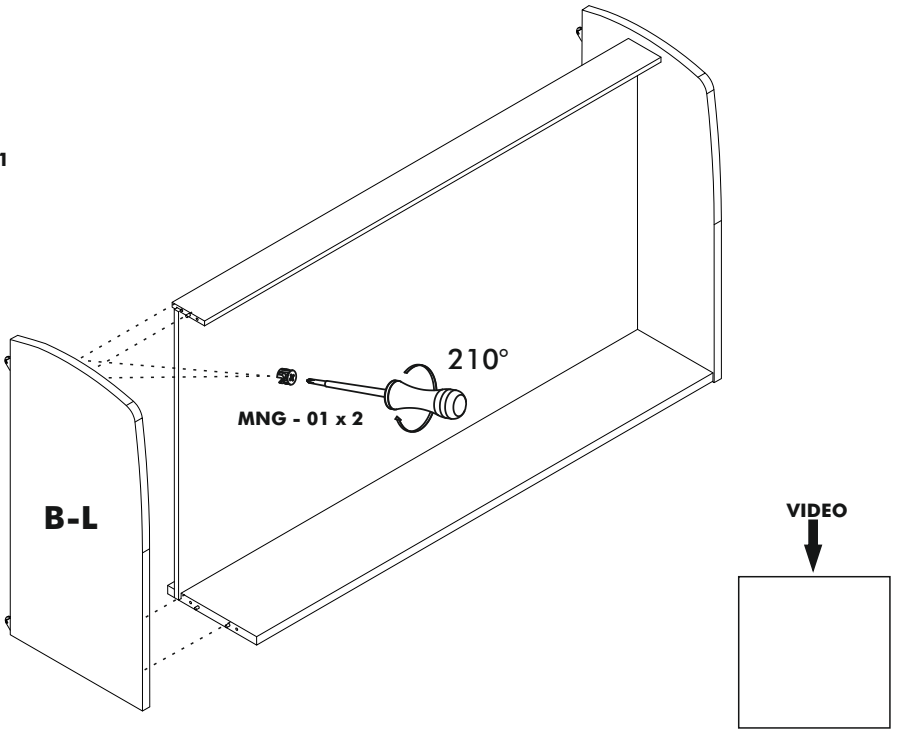
MNG - 01



STEP 5



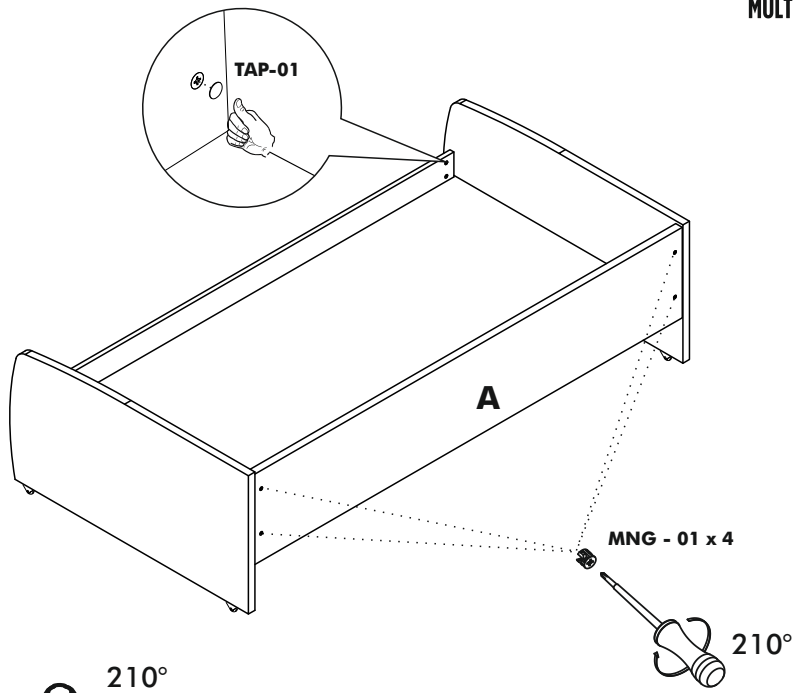
MNG - 01



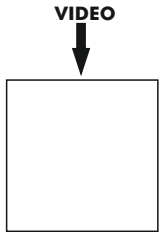
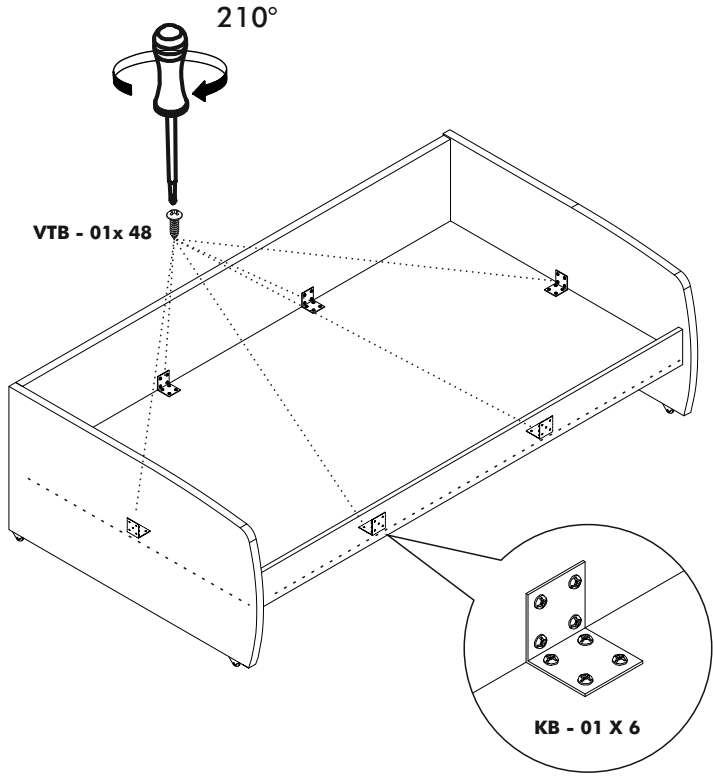
STEP 6



MNG - 01



STEP 7





MULTiMO

www.multimo.com