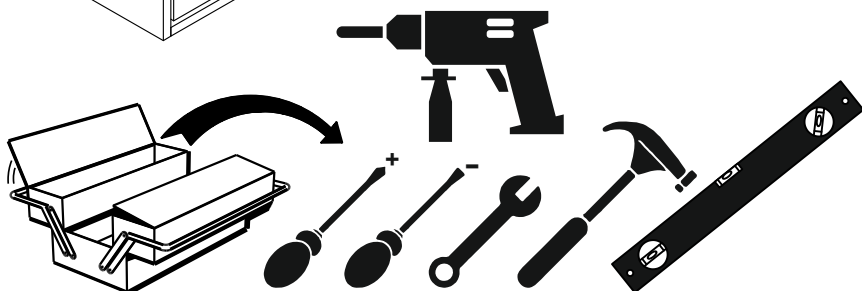
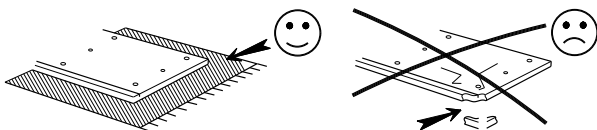
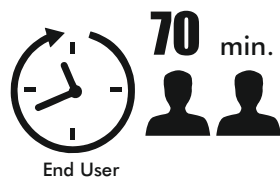
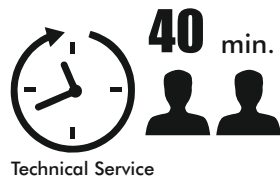
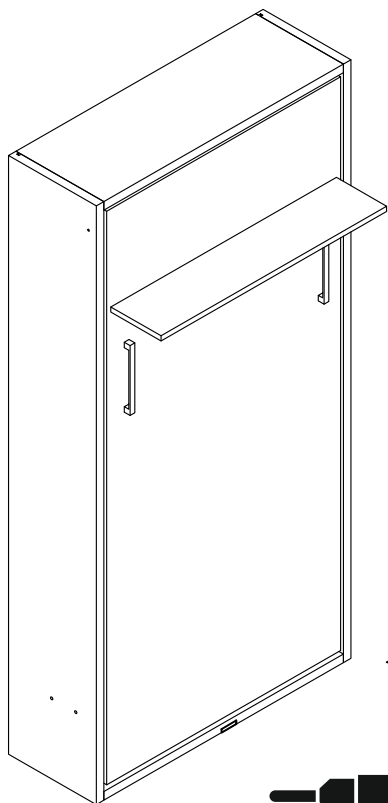




MULTIMO

1101-HAPPY

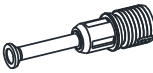

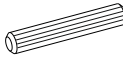


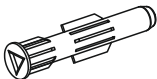
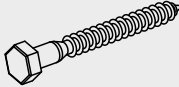


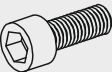
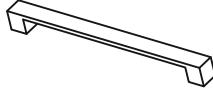

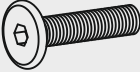
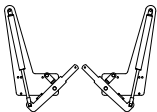
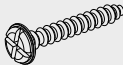
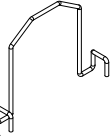
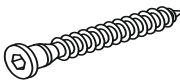

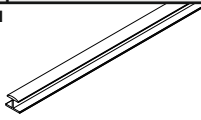
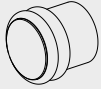
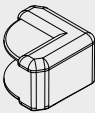


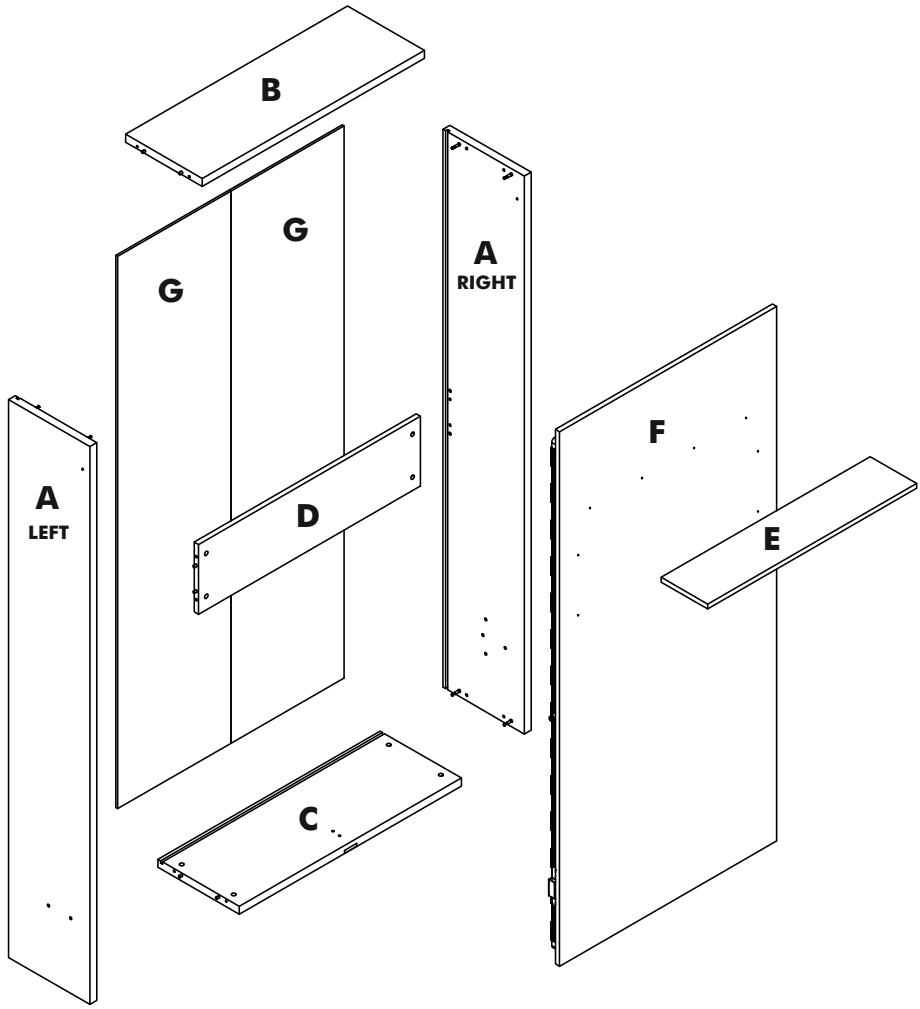
link

Assembly Instructions

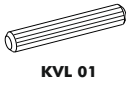
| Track Title | Piece | (inch) | | | (mm) | | | |
|------------------|-------|-----------|--------|-------|-------|-------|--------|------|
| | | Thickness | Length | Width | Piece | Thick | Height | Most |
| A-R / A-L | 2 | 1,18 | 81,89 | 13,78 | 2 | 30 | 2080 | 350 |
| B | 1 | 1,18 | 37,80 | 12,95 | 1 | 30 | 960 | 329 |
| C | 1 | 1,18 | 37,80 | 13,74 | 1 | 30 | 960 | 349 |
| D | 1 | 0,71 | 37,80 | 10,24 | 1 | 18 | 960 | 260 |
| E | 1 | 0,71 | 35,43 | 7,87 | 1 | 18 | 900 | 200 |
| F | 1 | 0,71 | 78,46 | 36,77 | 1 | 18 | 1993 | 934 |
| G | 2 | 0,31 | 80,98 | 19,17 | 2 | 8 | 2057 | 487 |

Accessories List

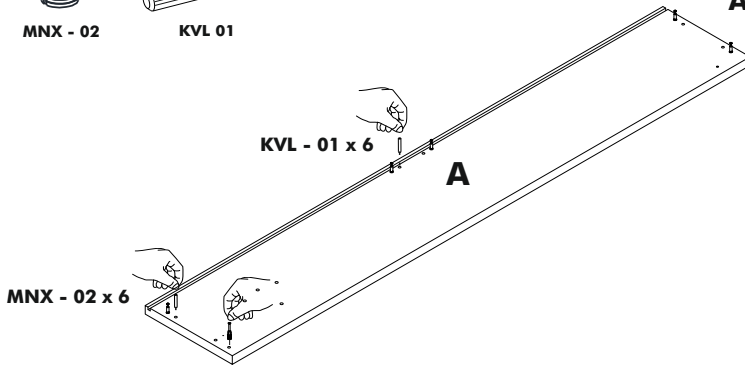
| | | | |
|--|--|--|---|
| MXN 02  12 / piece DSE - 01 (40x90x32) mm | MNG - 01  12 / piece DD - 01 (R10) | KVL 01  12 / piece TFC - 01(8x70) mm | TAP - 01  12 / piece VTB - 01 (4,8x16) mm |
|  2 / piece |  2 / piece |  2 / piece |  8 / piece |
| PL - 02 (8x22x1) mm  2 / piece | IM - 01 (6x30) mm  4 / piece | KP - 01 (224) mm  2 / piece | VKP - 01 (22) mm  4 / piece |
| CT - 01 (6x40) mm  2 / piece | MKZ - 02  1 / piece 1000 N | VD - 02 (3,5x25) mm  12 / piece | TTC 01  3 / piece |
| VDA - 01 (6,5x50) mm  4 / piece | AVT - 01  4 / piece | H 01  1 / piece | OT-054  2 / piece |
| KKS - 01  2 / piece | | | |



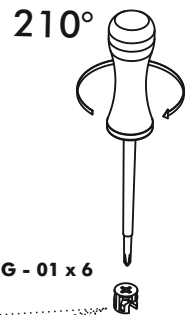
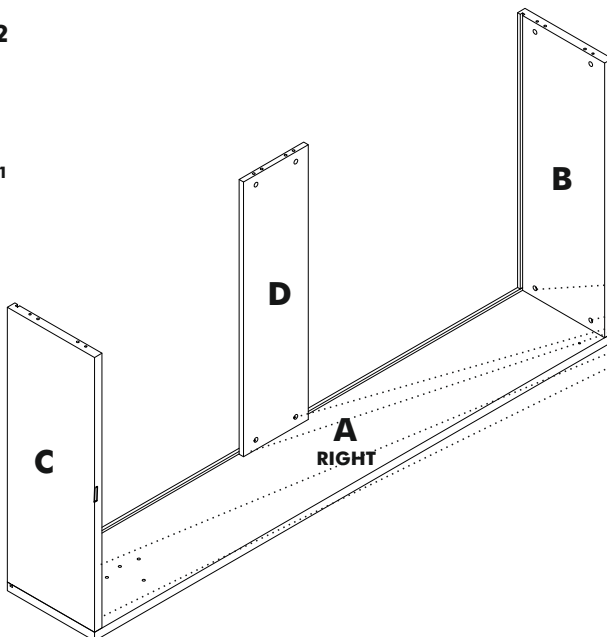
STEP 1



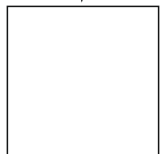
**TRACK TITLE
A LEFT / A RIGHT**



STEP 2

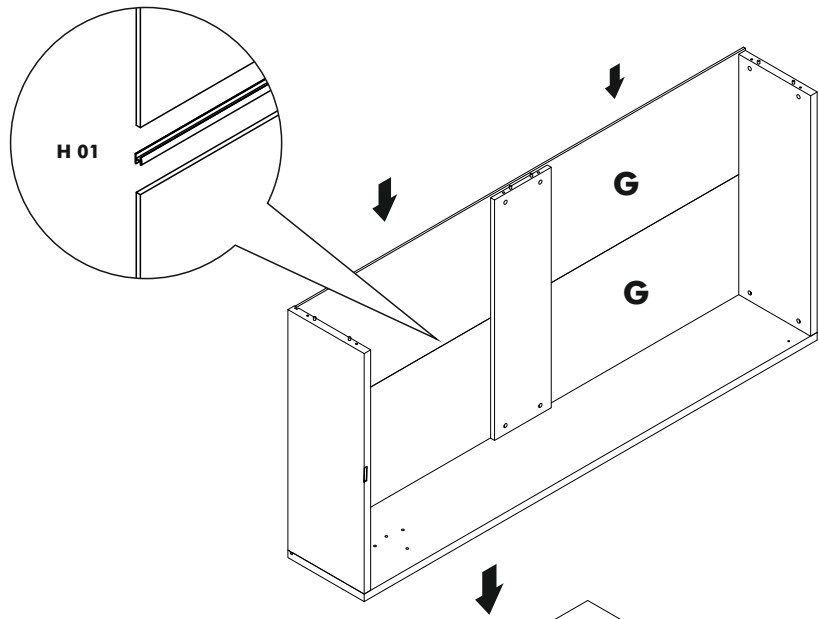


VIDEO

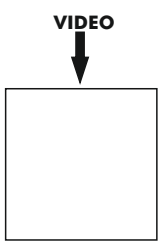
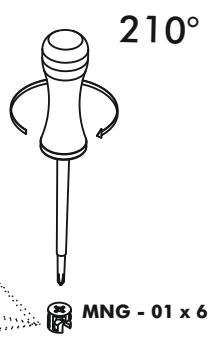
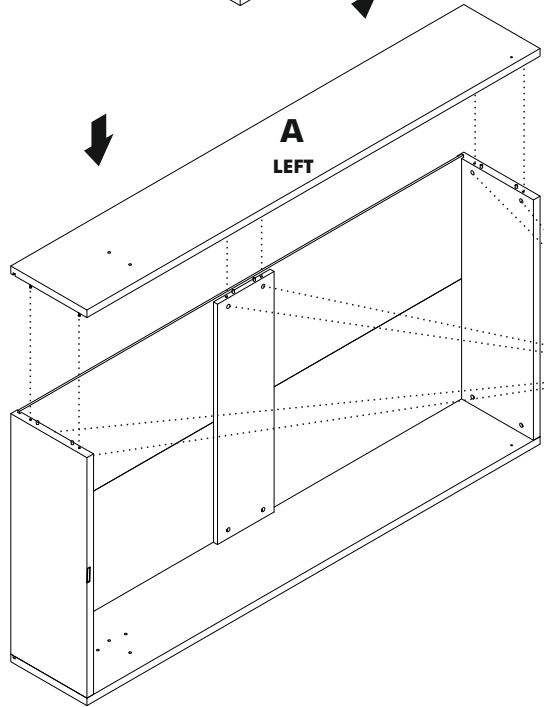


link

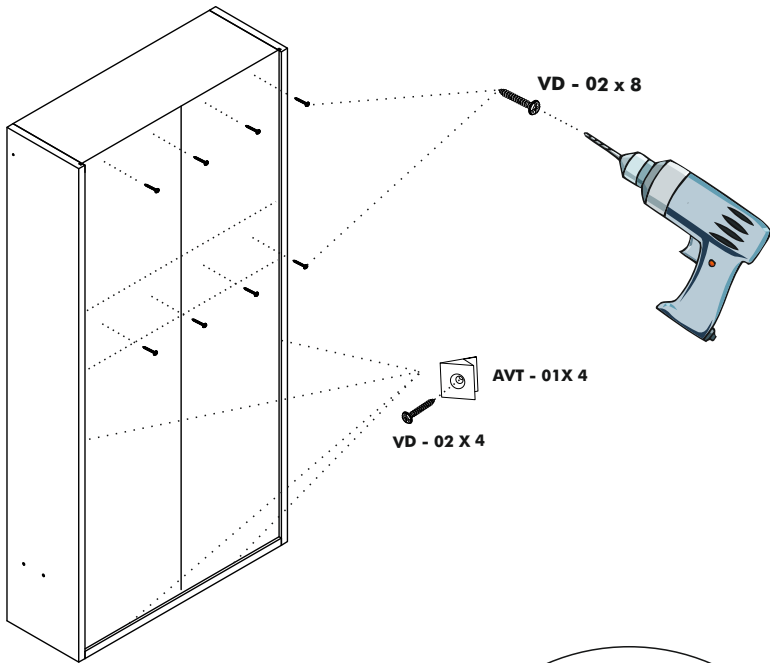
STEP 3



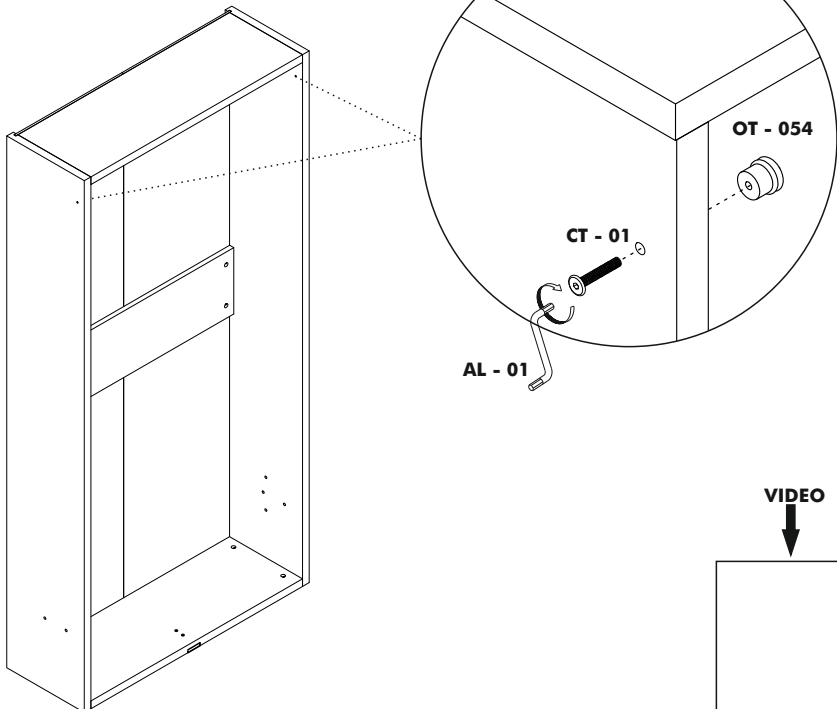
STEP 4



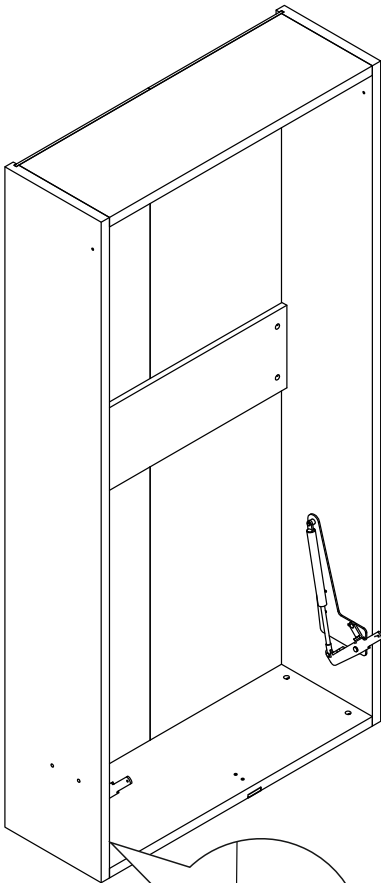
STEP 5



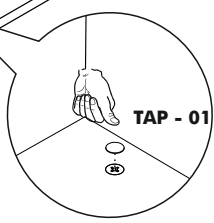
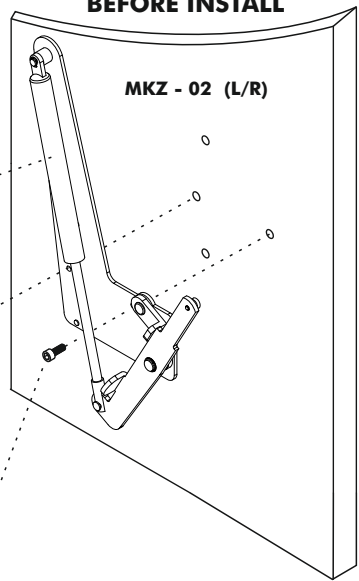
STEP 6



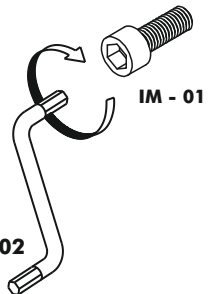
STEP 7



CAUTION
DO NOT UNLOCK
BEFORE INSTALL



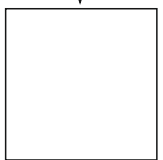
TAP - 01



AL - 02

IM - 01

VIDEO



link

STEP 8



Ø 10 mm / 0,254 inch

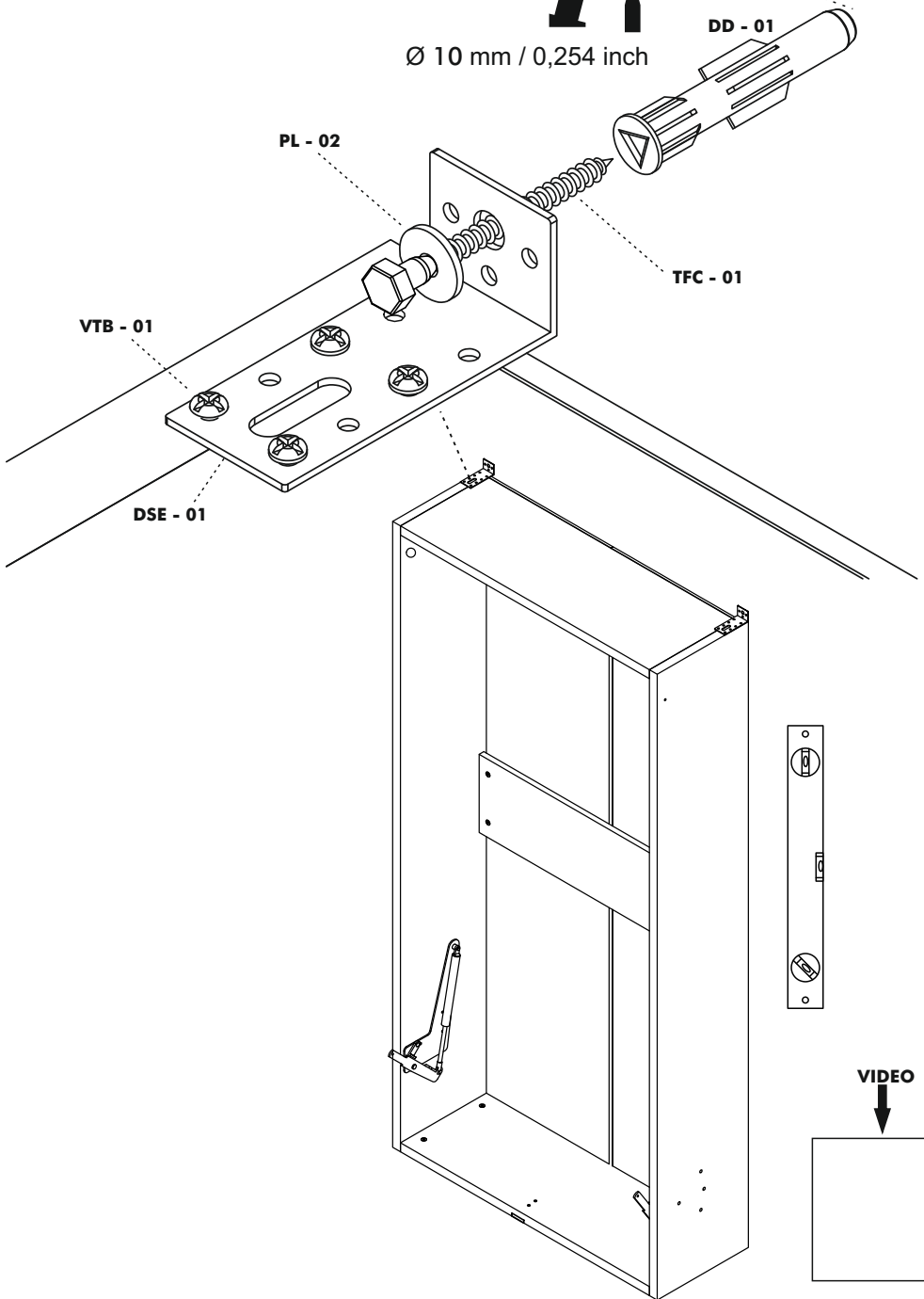
DD - 01

PL - 02

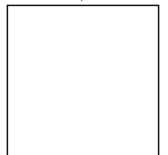
TFC - 01

VTB - 01

DSE - 01

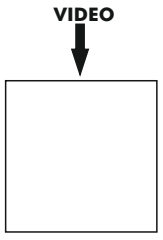
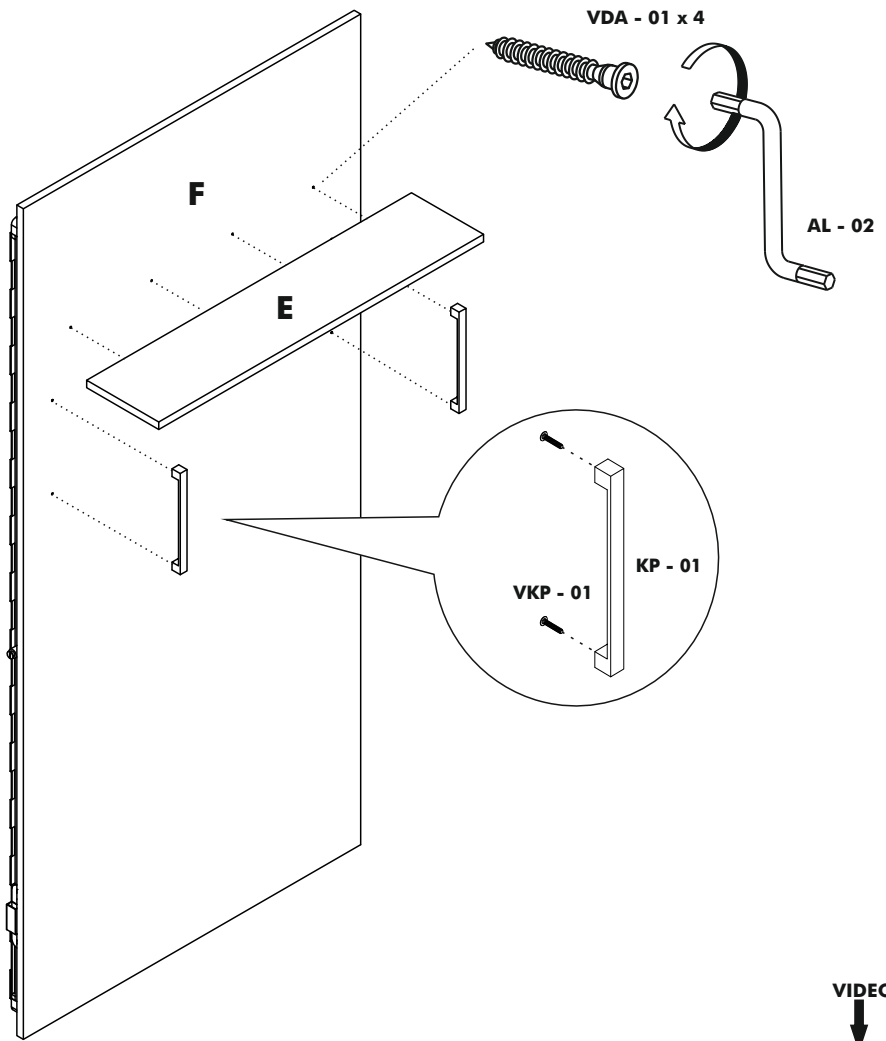


VIDEO

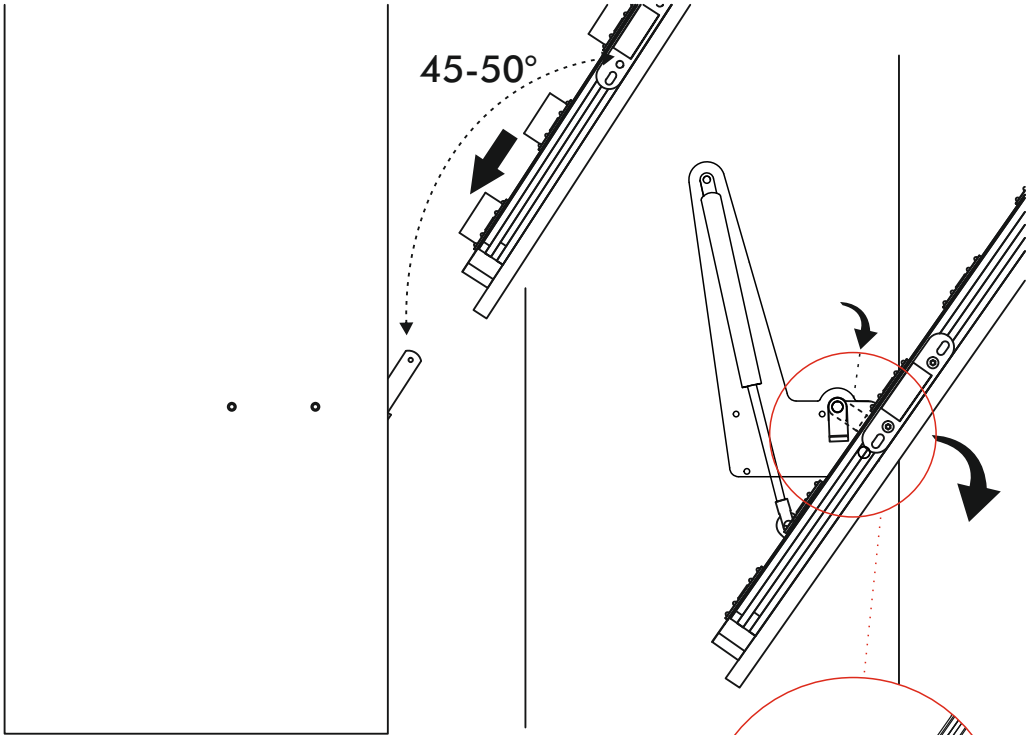


link

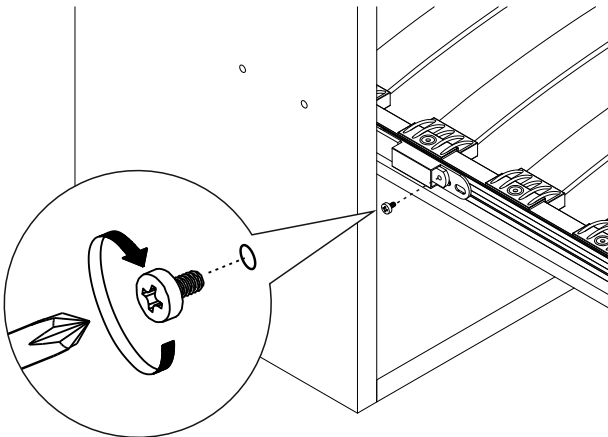
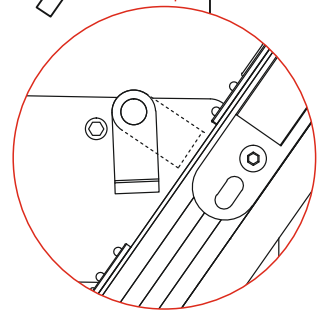
STEP 9



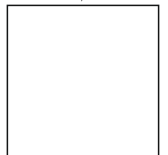
STEP 10



**KAPAK KAPATILMADAN KİLİDİ İNDİRİN !!!
LET THE STOPPER LOCK MOVE DOWN !!!**

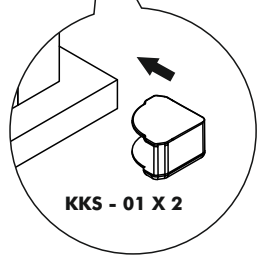
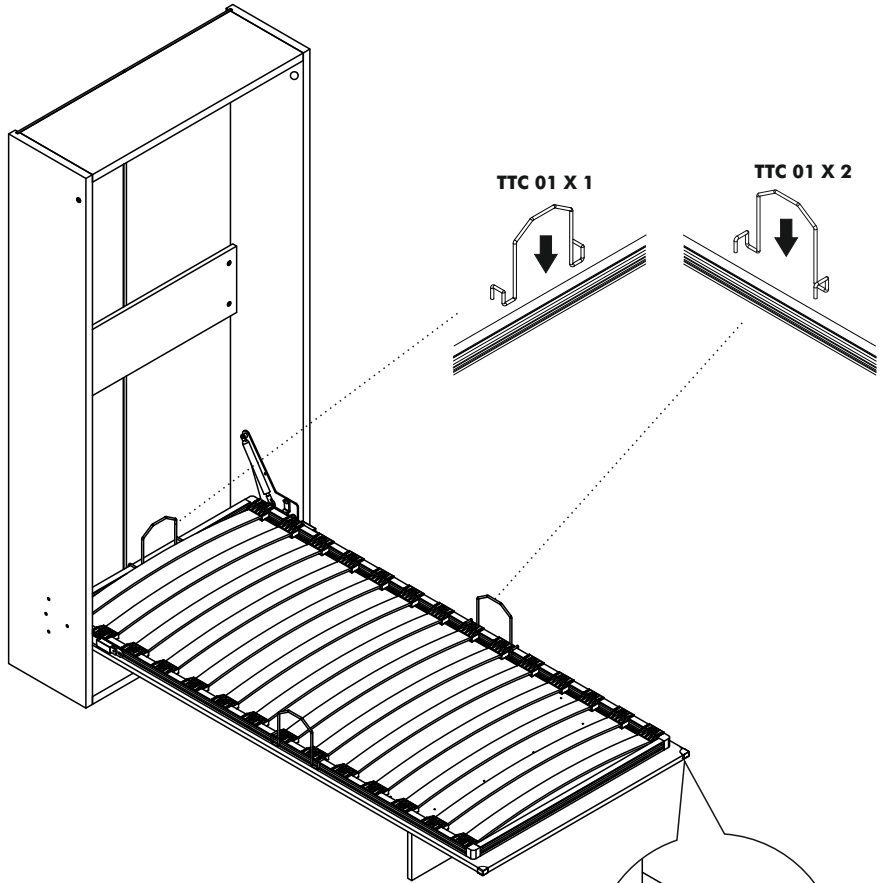


VIDEO

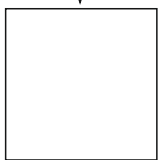


link

STEP 11



VIDEO



link



MULTiMO

www.multimo.com