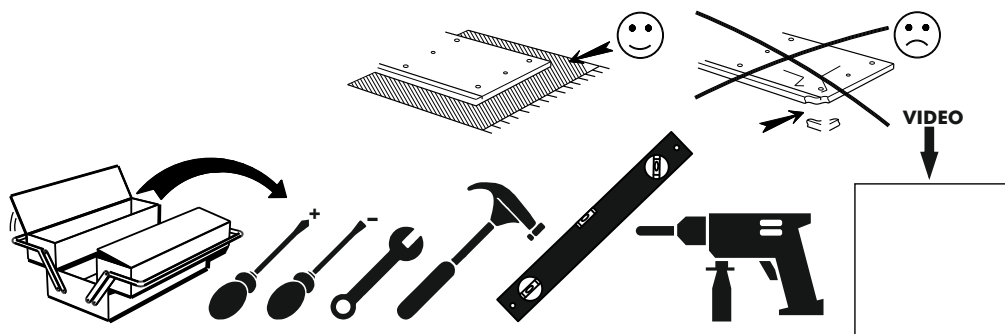
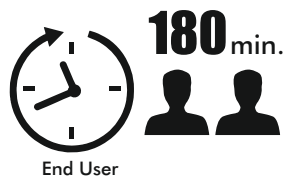
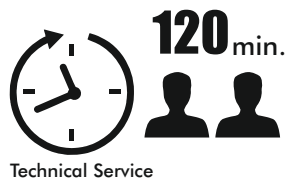
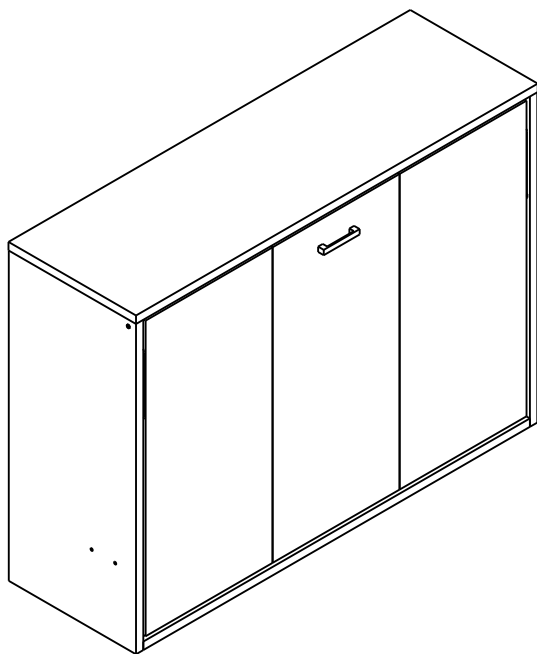




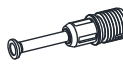



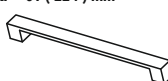
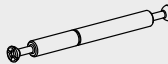

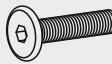
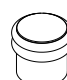

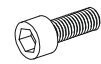
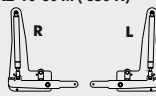




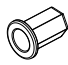

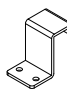
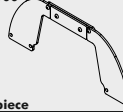

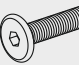


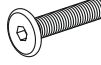


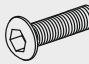


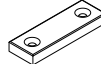

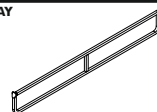


MULTIMO

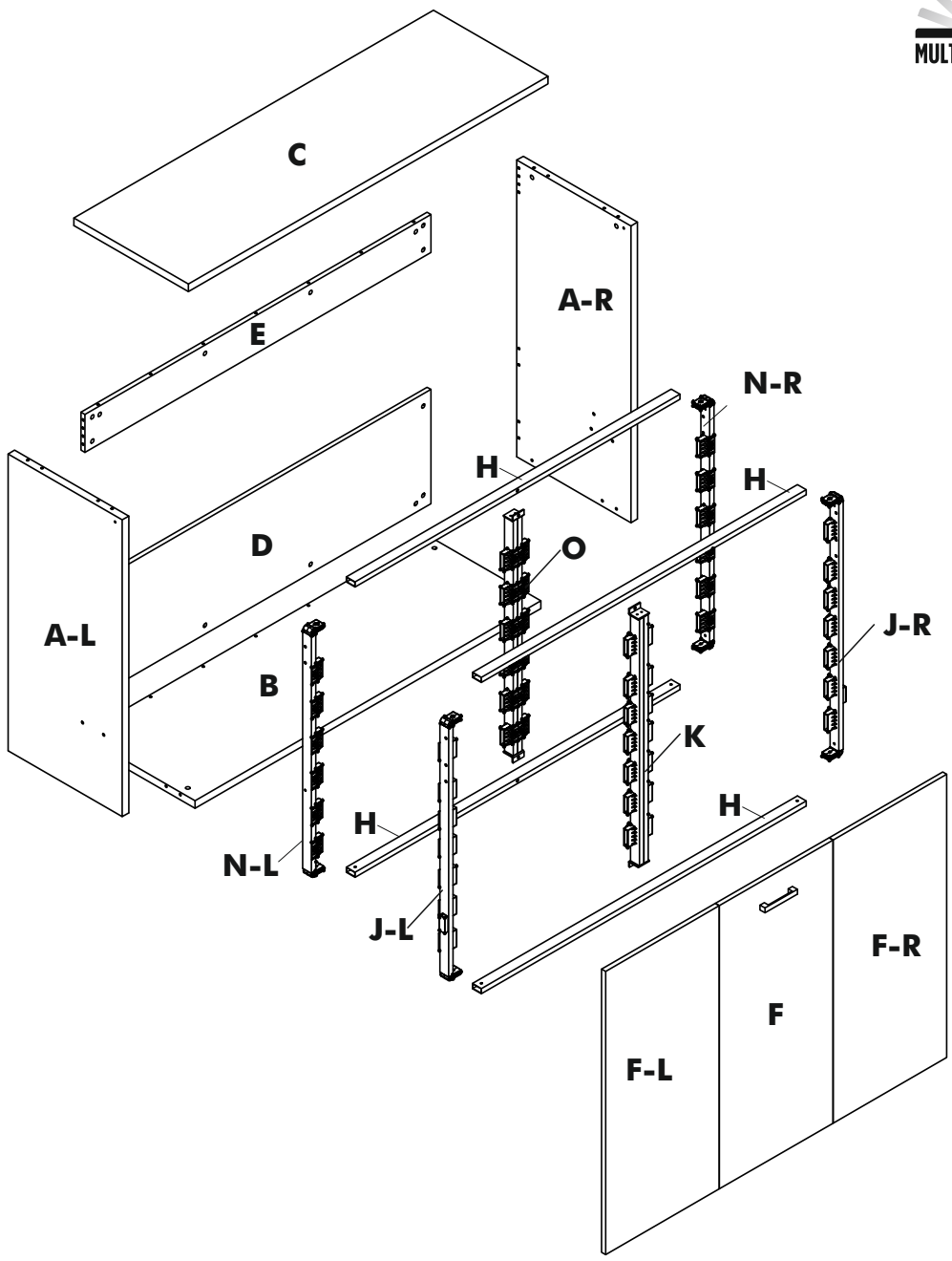
215-2 CAPSULE DOUBE FOLDING QUEEN BED

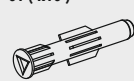

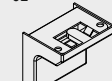




Track Title	Piece	(inch)			(mm)			
		Thickness	Length	Width	Piece	Thick	Height	Most
A	2	1,18	46,06	20,47	2	30	1170	520
B	1	1,18	62,20	20,47	1	30	1580	520
C	1	1,18	64,65	20,51	1	30	1642	521
D	1	0,71	62,20	17,72	1	18	1580	450
E	1	0,71	62,20	5,91	1	18	1580	150
F	1	0,71	43,98	20,43	1	18	1117	519
F-R / F-L	2	0,71	43,98	20,43	2	18	1117	519

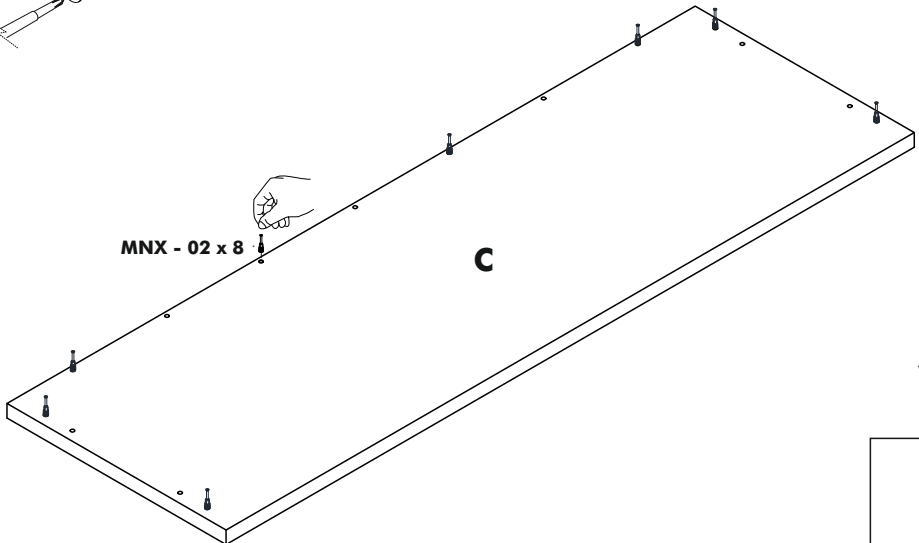
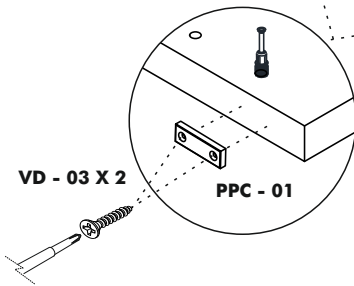
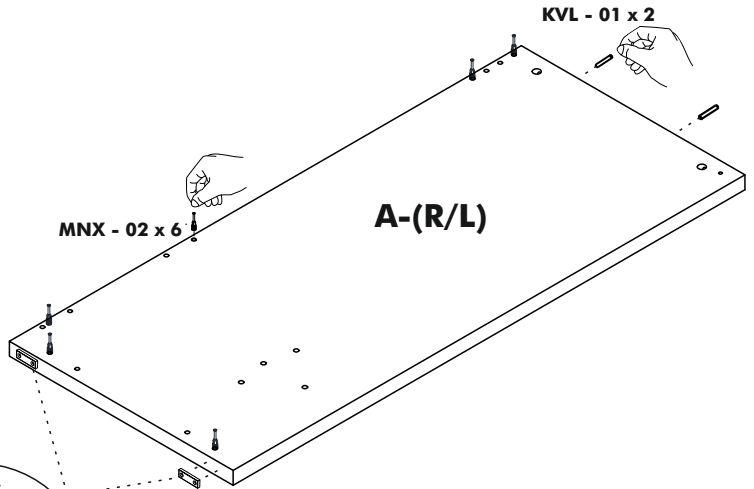
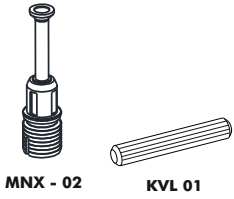
Accessories List

MNX 02  24 / piece MNX - 03	MNG - 01  44 / piece YSB - 01 (3,9x16) mm	KVL 01  30 / piece CT - 01 (6x40) mm	TAP - 01  44 / piece OT-054	KP - 01 (224) mm  1 / piece VKP - 01 (22) mm
 10 / piece IM - 01 (6x30) mm	 4 / piece MKZ-10-60 M (350 N)	 2 / piece PL - 04 (5x12x0,7) mm	 2 / piece LTA - 01	 2 / piece VTB - 02 (4,2x16) mm
 4 / piece SC-99	 1 / piece SKT - 01	 4 / piece CTM - 01 (6x10) mm	 26 / piece SC-110	 30 / piece SC-100
 2 / piece OT 10	 8 / piece CT - 04 (6x20) mm	 8 / piece PL - 05 (8x16x2) mm	 12 / piece SN - 02 (M8)	 2 / piece CT - 05 (6x35) mm
 2 / piece PL-006	 4 / piece SN - 01 (M6)	 2 / piece CTM - 02 (8x35) mm	 10 / piece TTC 02	 2 / piece KOR
 2 / piece PPC 01	 2 / piece VD - 03 (3,5x18) mm	 8 / piece SAY	 2 / piece AL - 01 (4MM)	 1 / piece AL - 02 (5MM)
 4 / piece	 12 / piece	 1 / piece	 1 / piece	 1 / piece



<p>DD - 01 (R10)</p>  <p>2 / piece</p>	<p>VD - 01(6X70) mm</p>  <p>2 / piece</p>	<p>DSE - 02</p>  <p>2 / piece</p>	<p>KMT - 02</p>  <p>2 / piece</p>	<p>KLF - F (fabric cover)</p>  <p>1 / piece</p>
---	---	---	---	--

STEP 1

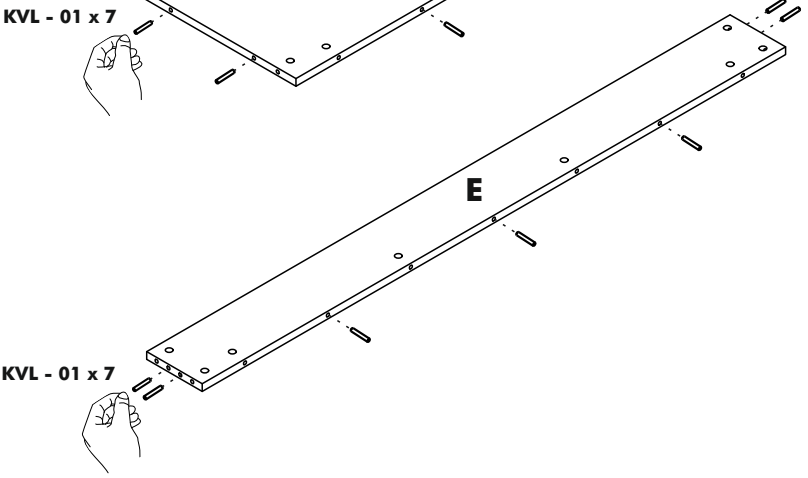
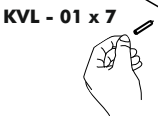
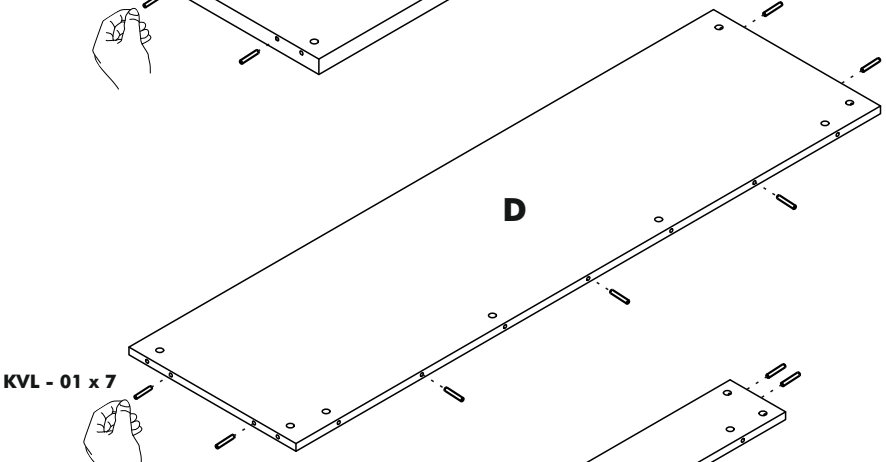
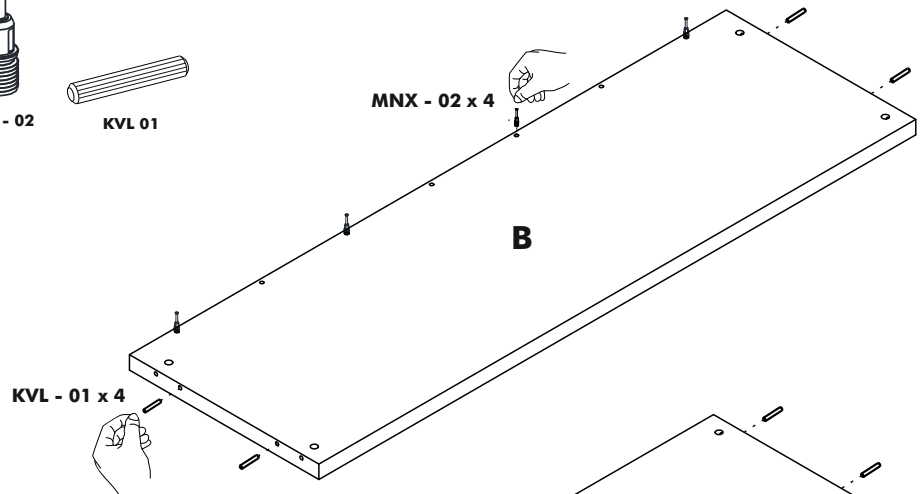
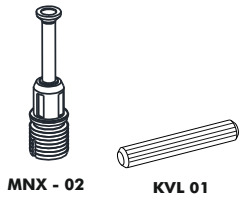


VIDEO

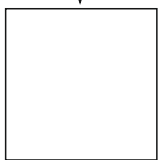


link

STEP 2



VIDEO

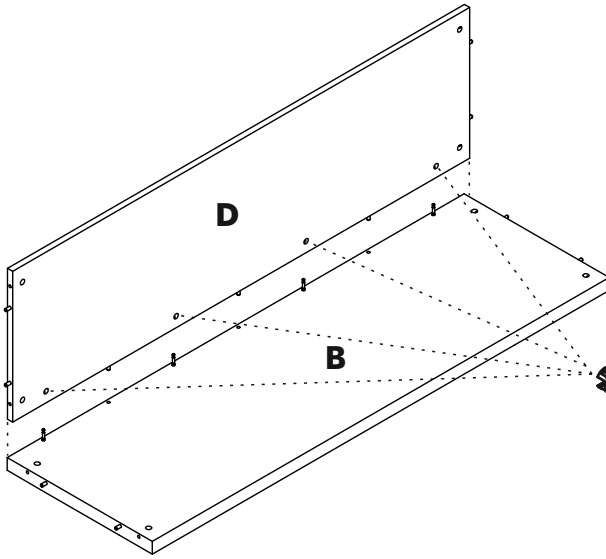


link

STEP 3



MNG - 01



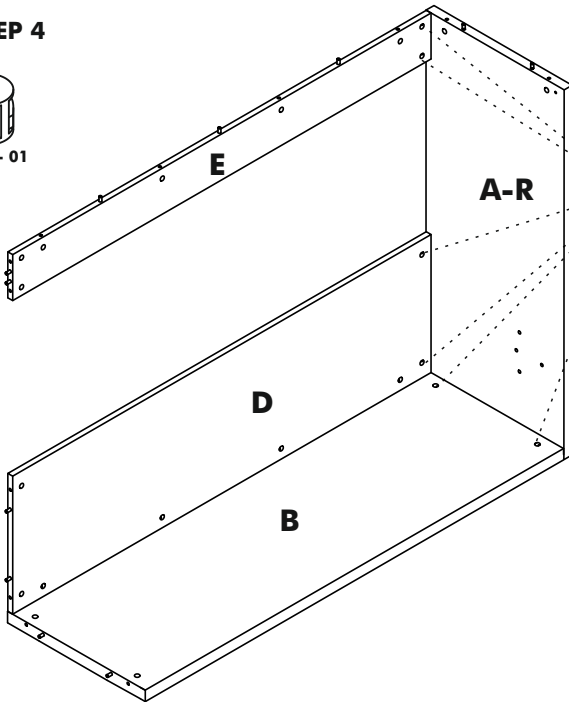
MNG - 01 x 4

210°

STEP 4



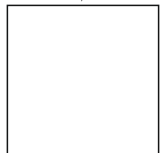
MNG - 01



MNG - 01 x 6

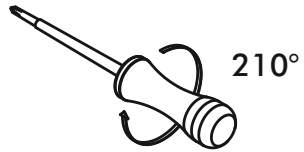
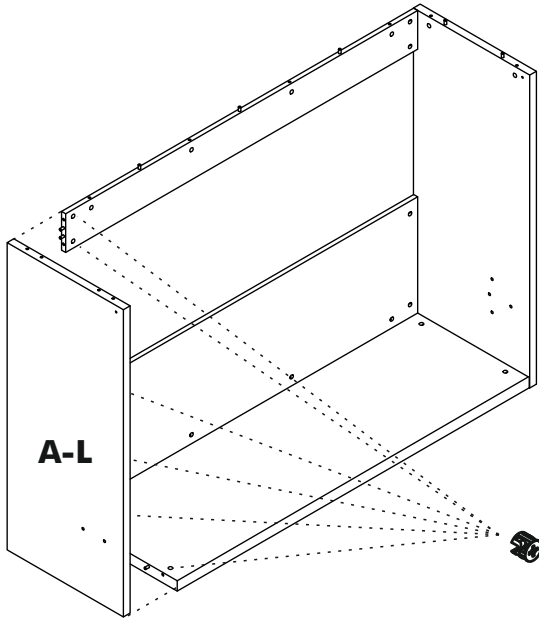
210°

VIDEO

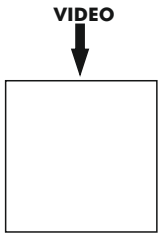
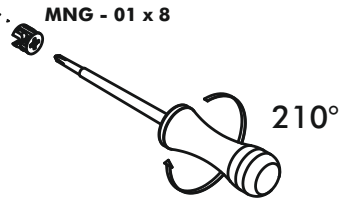
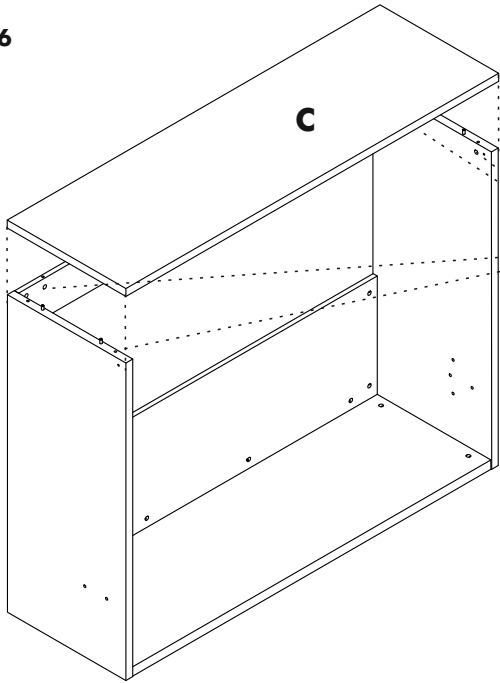


link

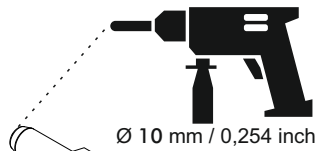
STEP 5



STEP 6



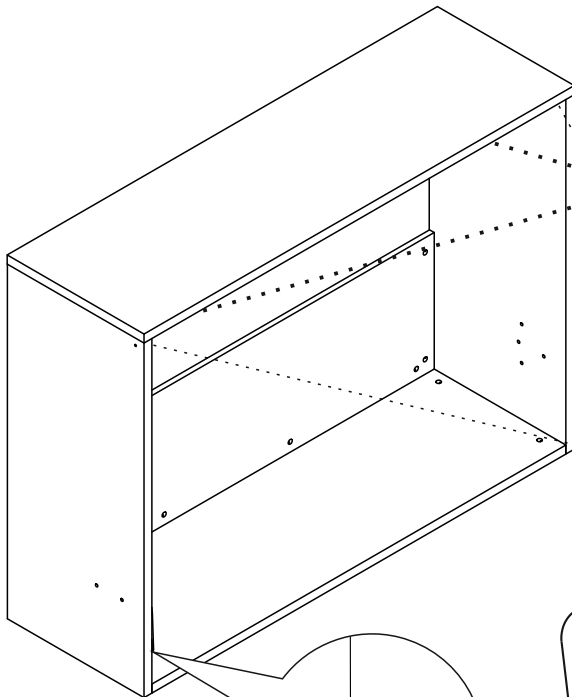
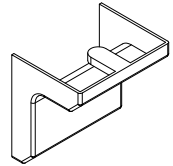
STEP 7



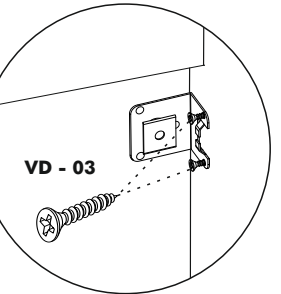
DD - 01

DSE - 02

VD - 01

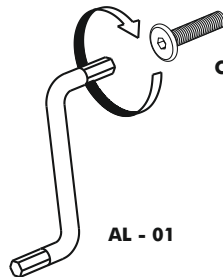


VD - 03

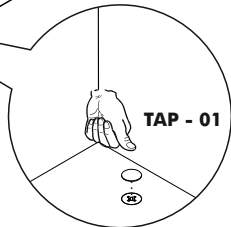


OT - 54

CT - 01

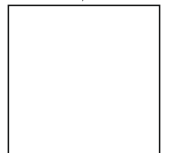


AL - 01



TAP - 01

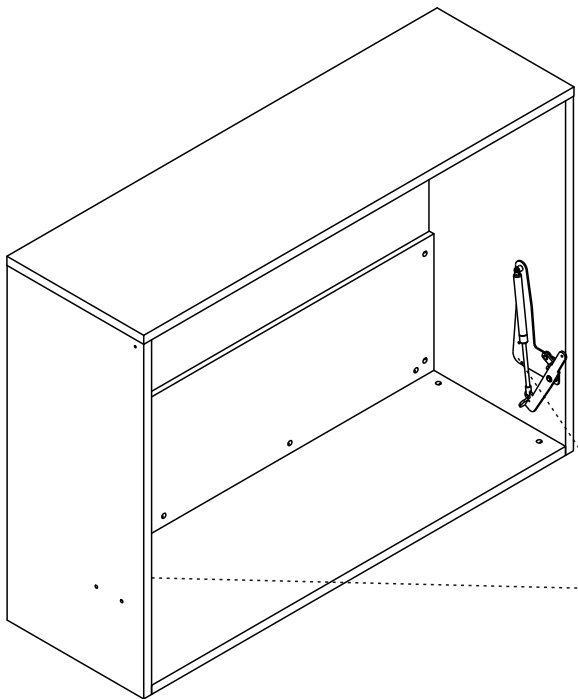
VIDEO



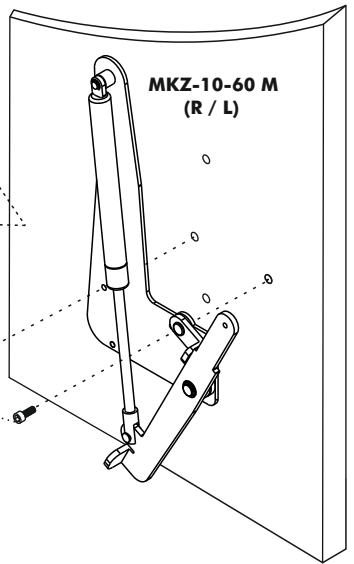
link

STEP 8

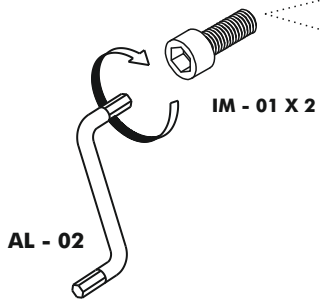
**Vidayı çıkarın
Remove the screw**



**CAUTION
DO NOT UNLOCK BEFORE INSTALL**



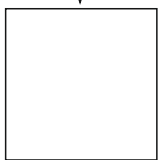
**MKZ-10-60 M
(R / L)**



AL - 02

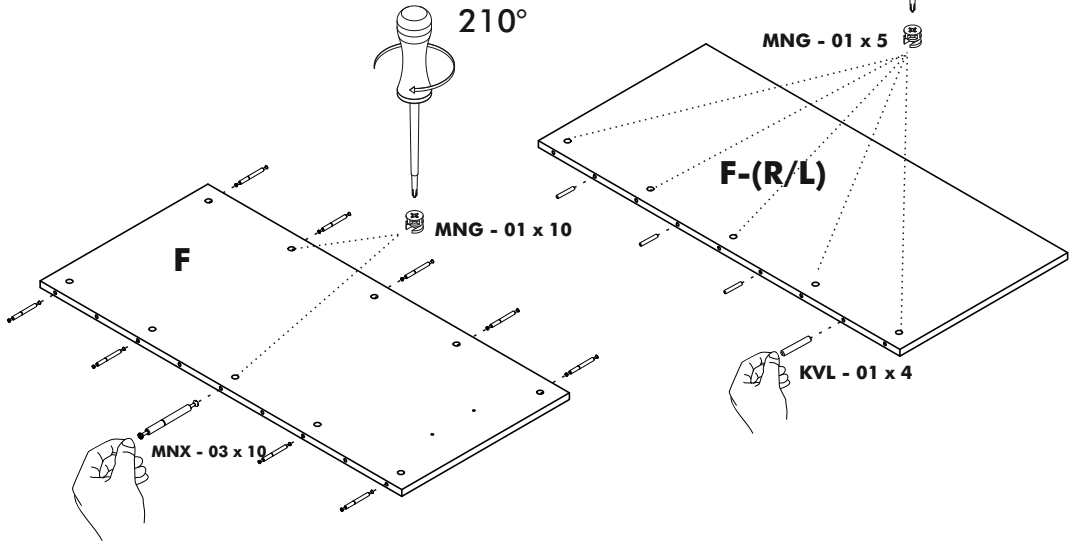
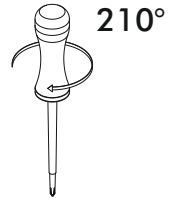
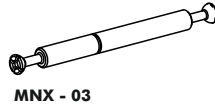
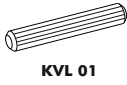
IM - 01 X 2

VIDEO

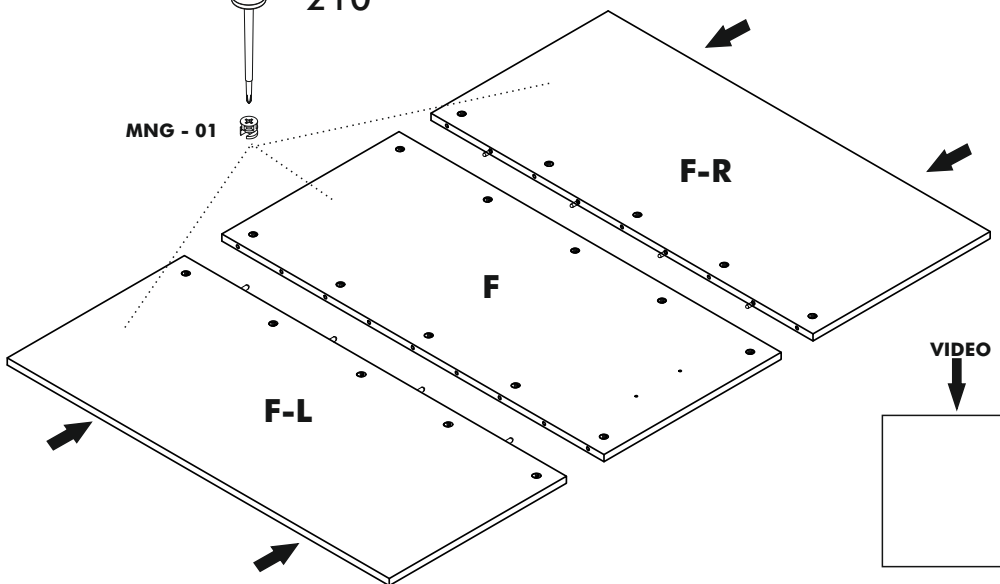
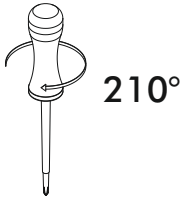


link

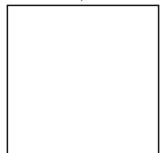
STEP 9



STEP 10



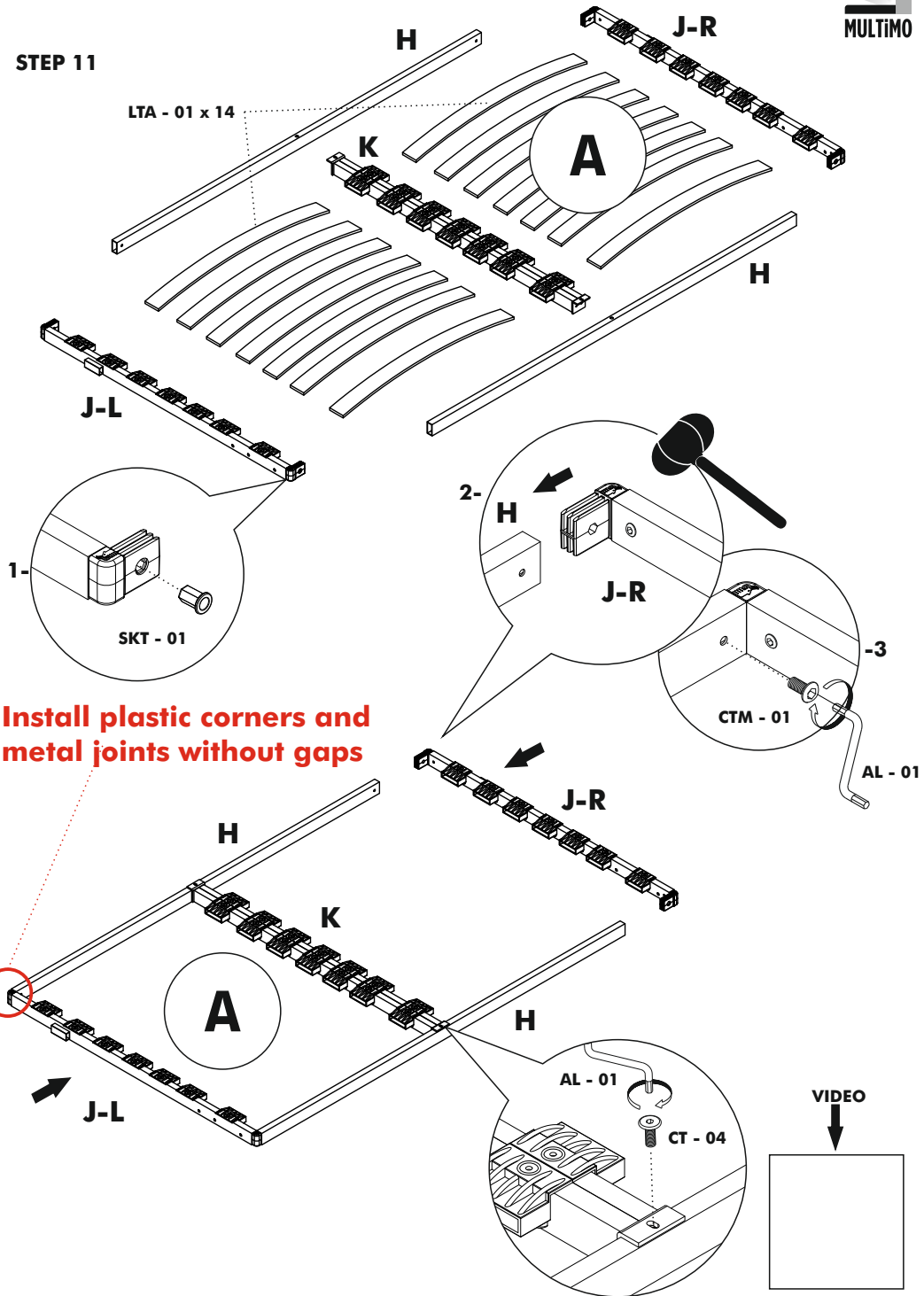
VIDEO



link

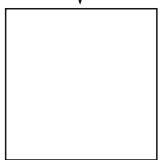
STEP 11

LTA - 01 x 14



Install plastic corners and metal joints without gaps

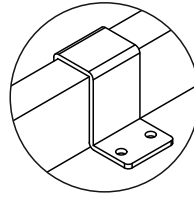
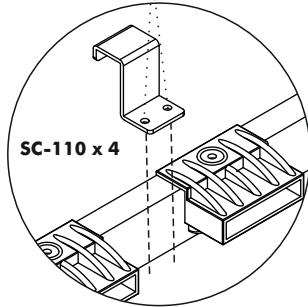
VIDEO



link

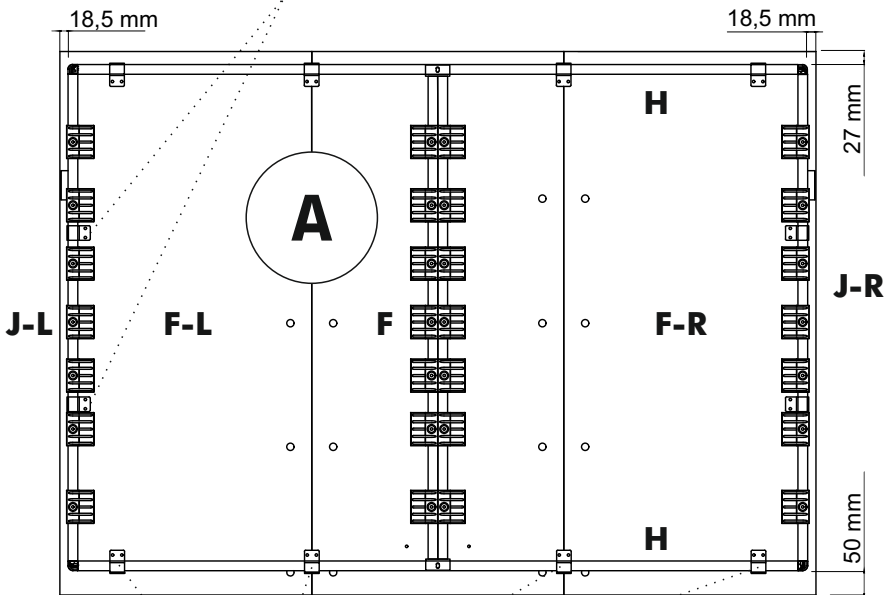
STEP 13

VTB - 02 x 8

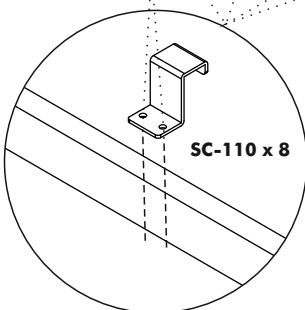


Make sure " the bracket fits into the profile completely, before screwing "

Assemble the brackets over the places shown over J-R,J-L profiles

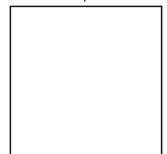


VTB - 02 x 16



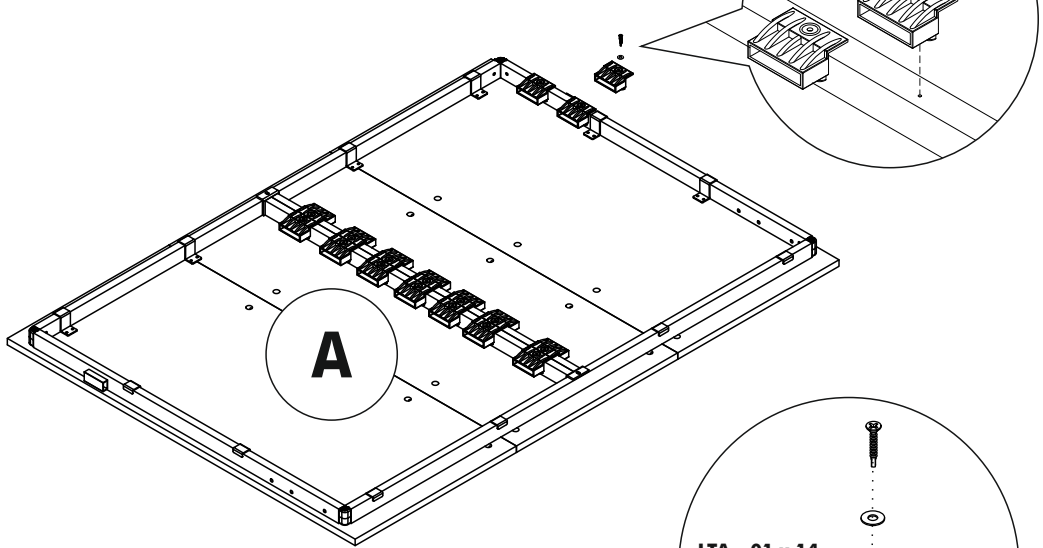
Assemble the brackets over the places shown over H profiles

VIDEO



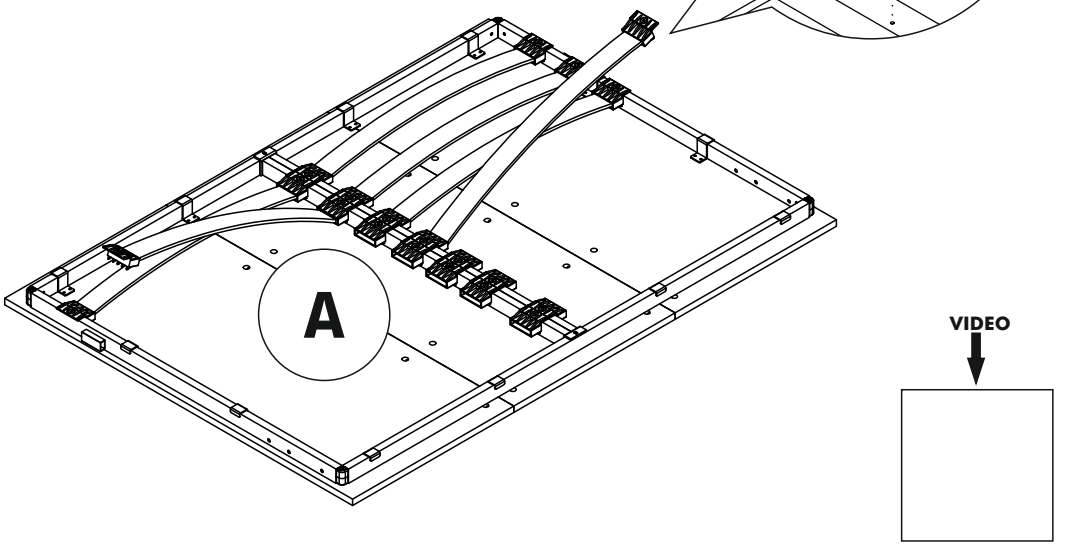
STEP 14

Unscrew the Screws

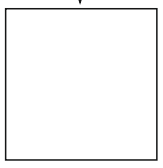


STEP 15

LTA - 01 x 14



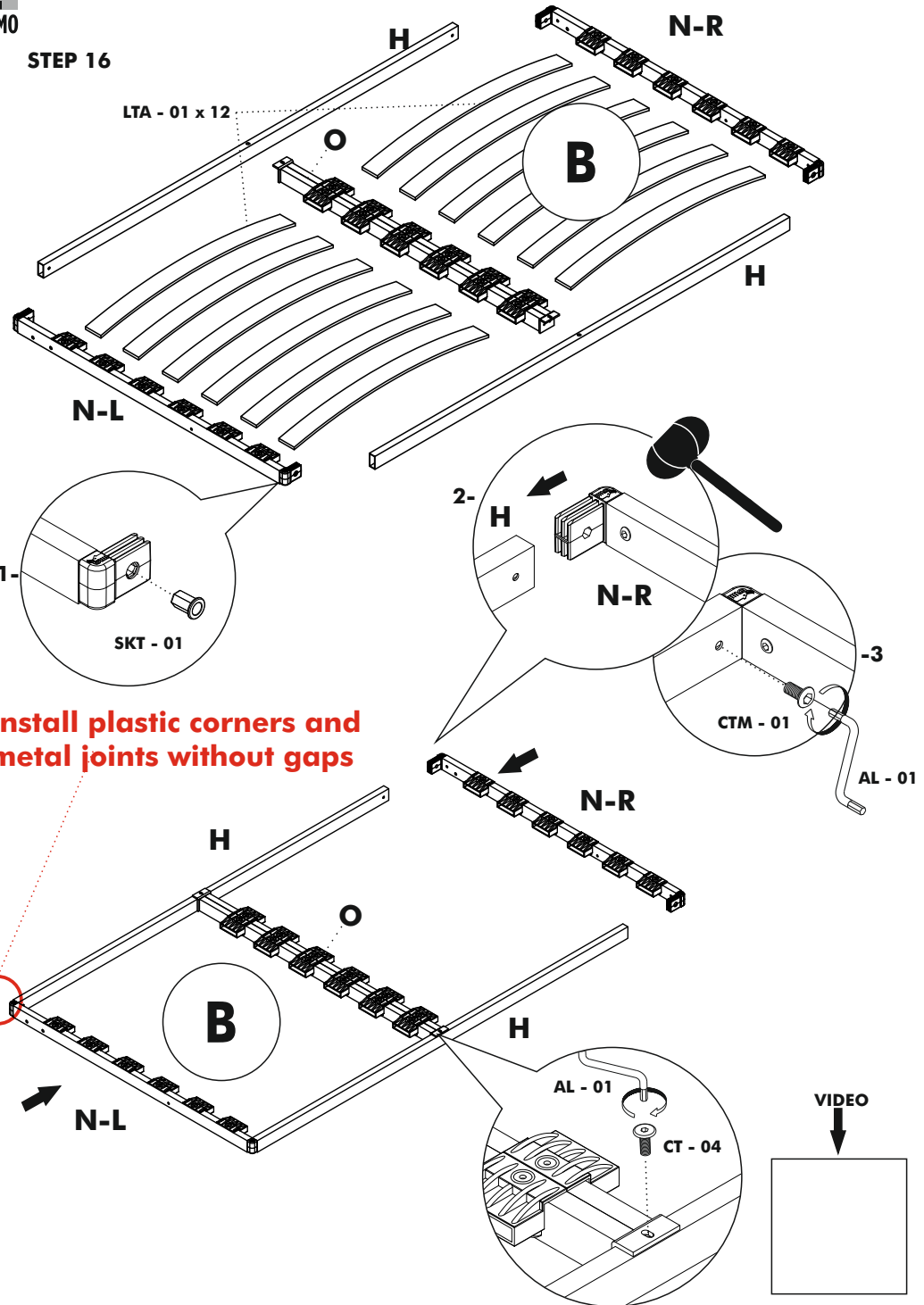
VIDEO



link

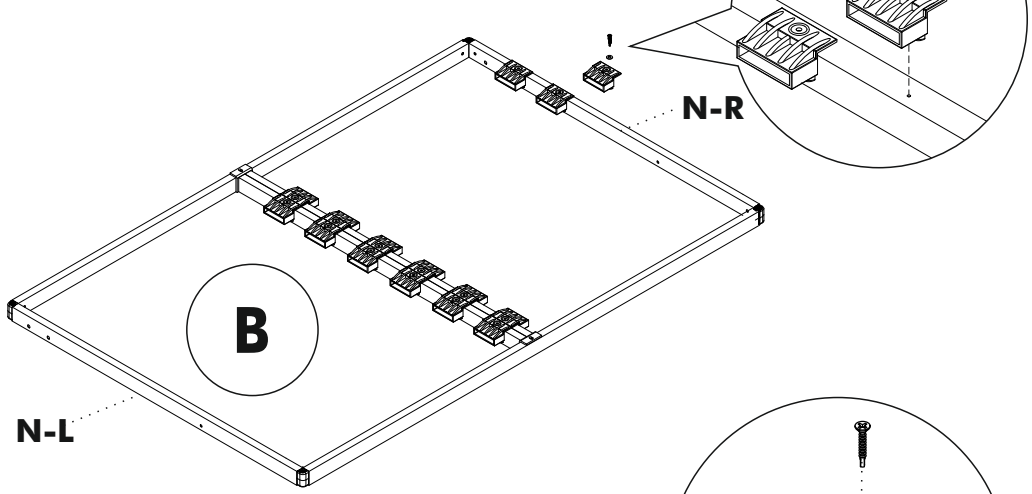
STEP 16

LTA - 01 x 12

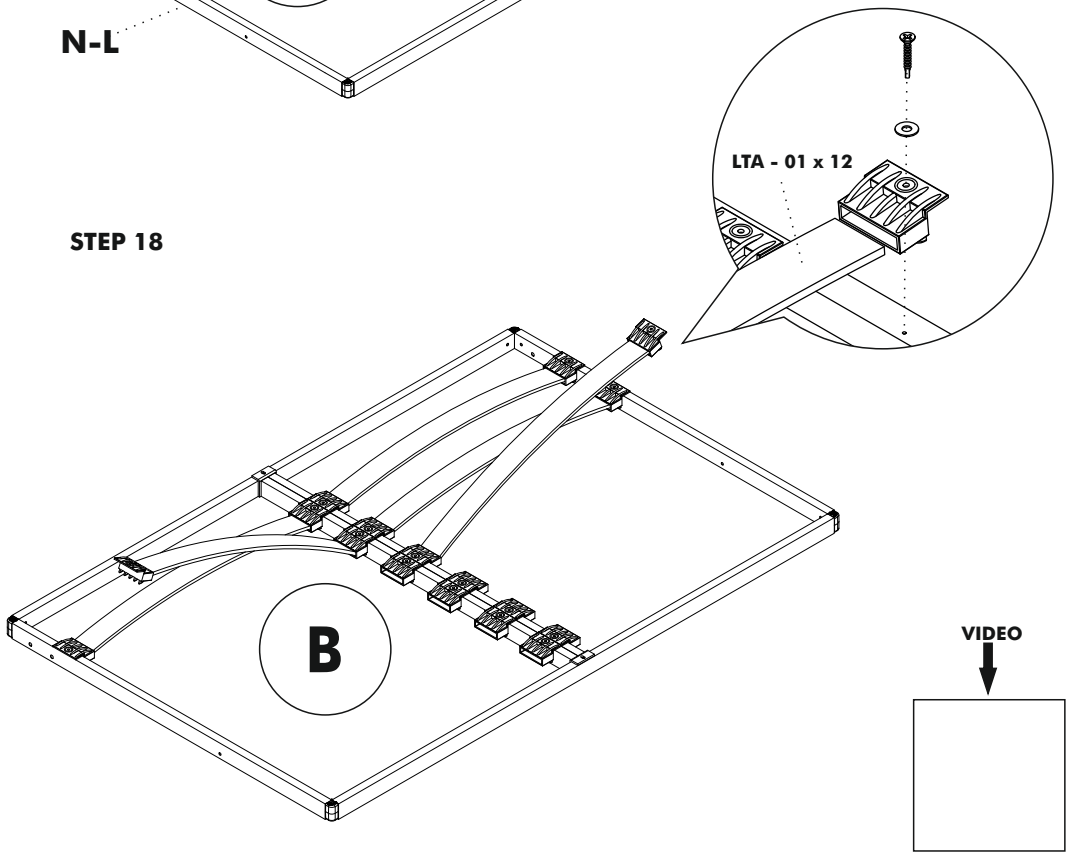


STEP 17

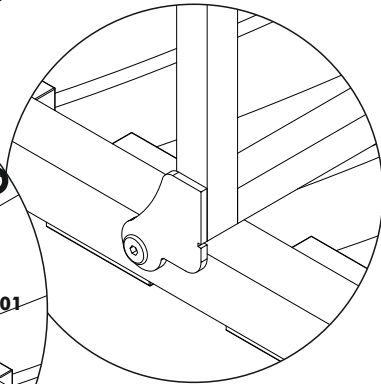
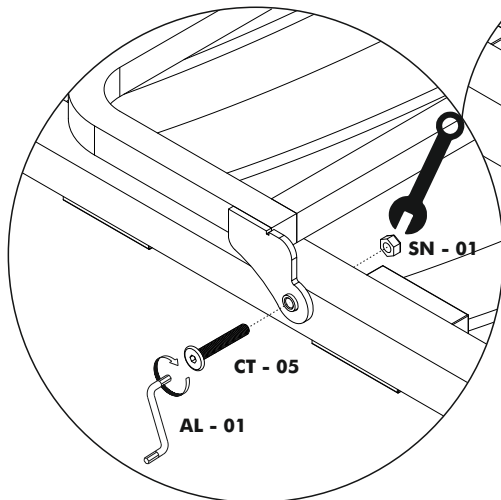
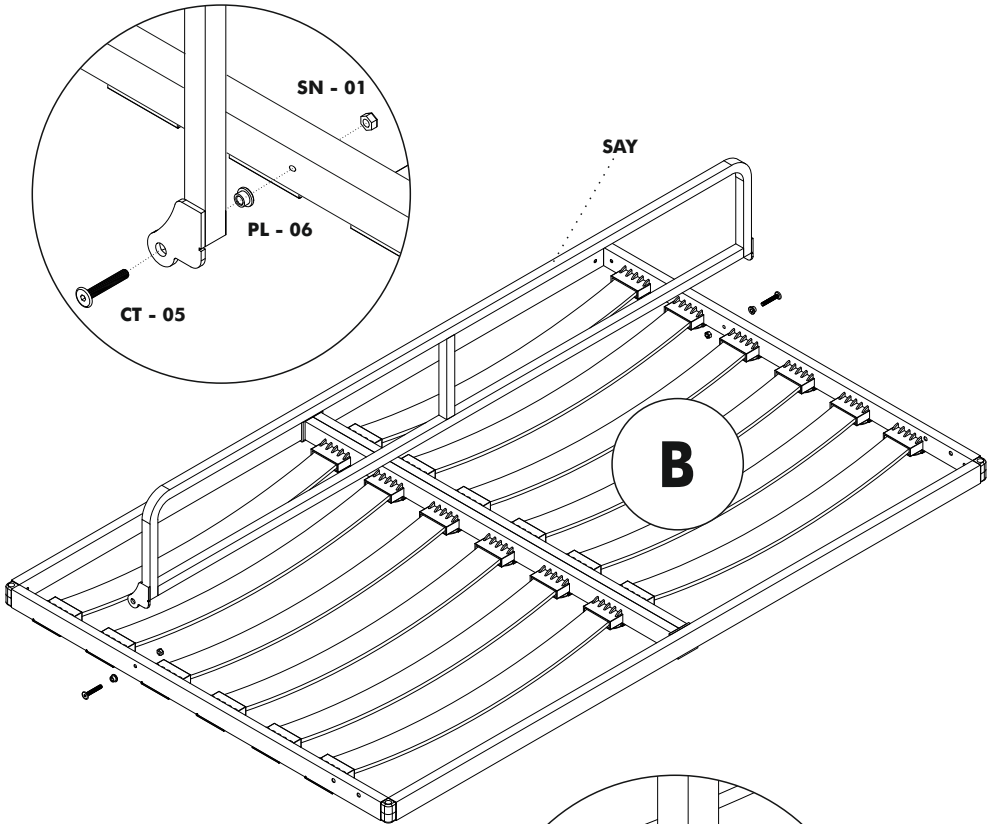
Unscrew the Screws



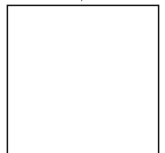
STEP 18



STEP 19

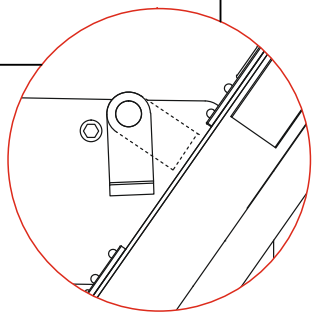
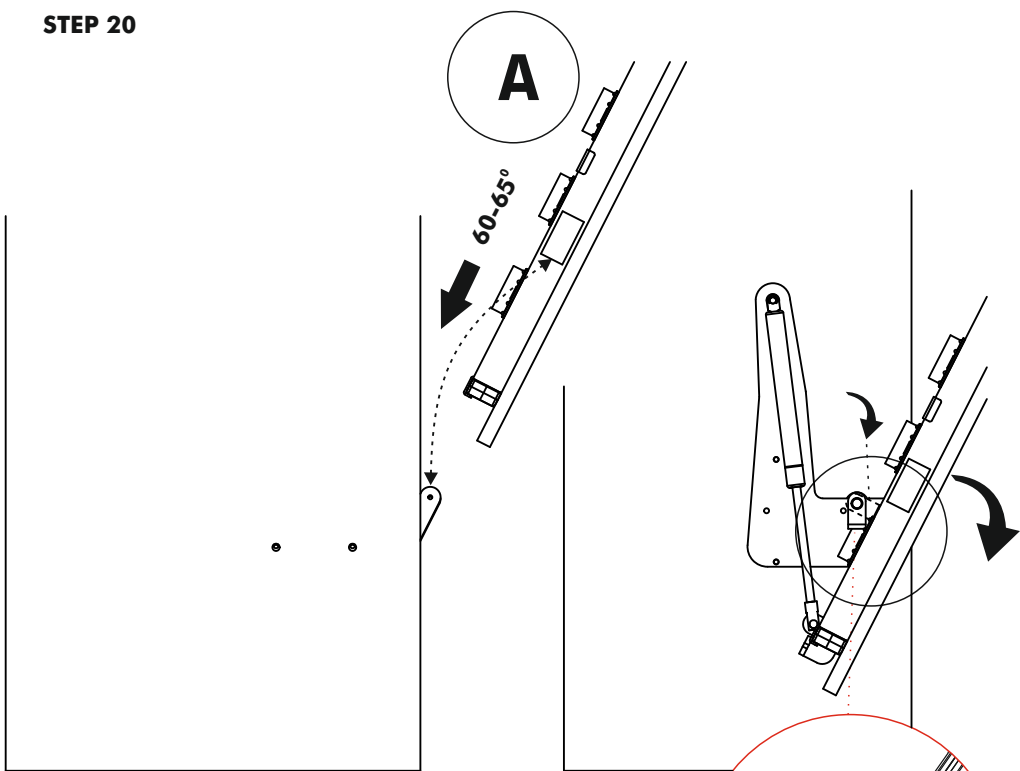


VIDEO

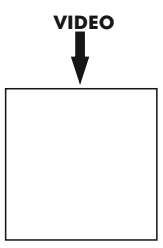
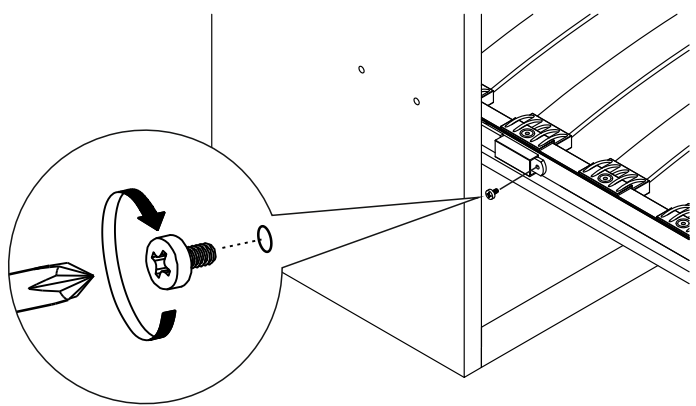


link

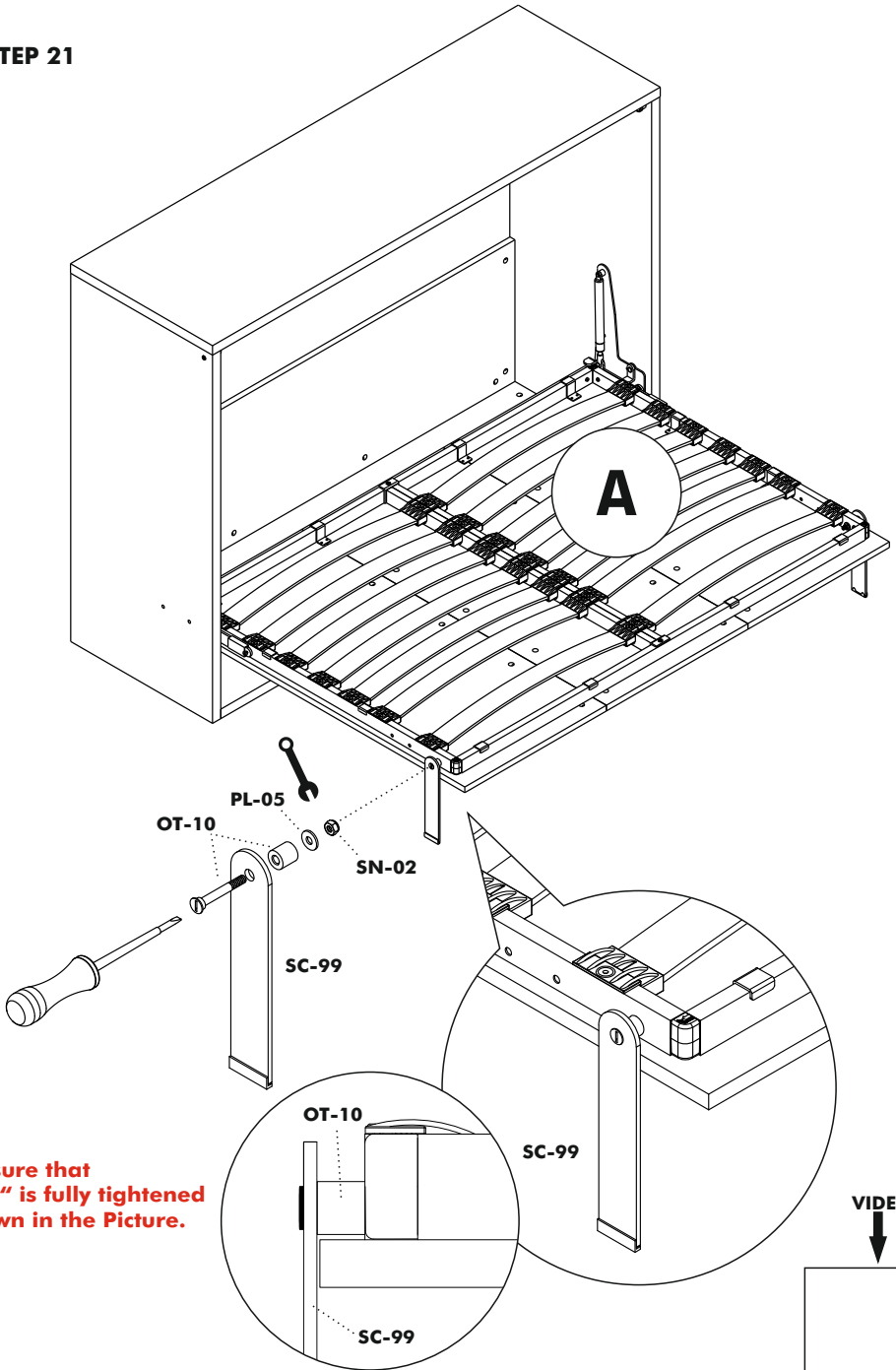
STEP 20



LET THE STOPPER LOCK MOVE DOWN !!!

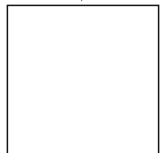


STEP 21



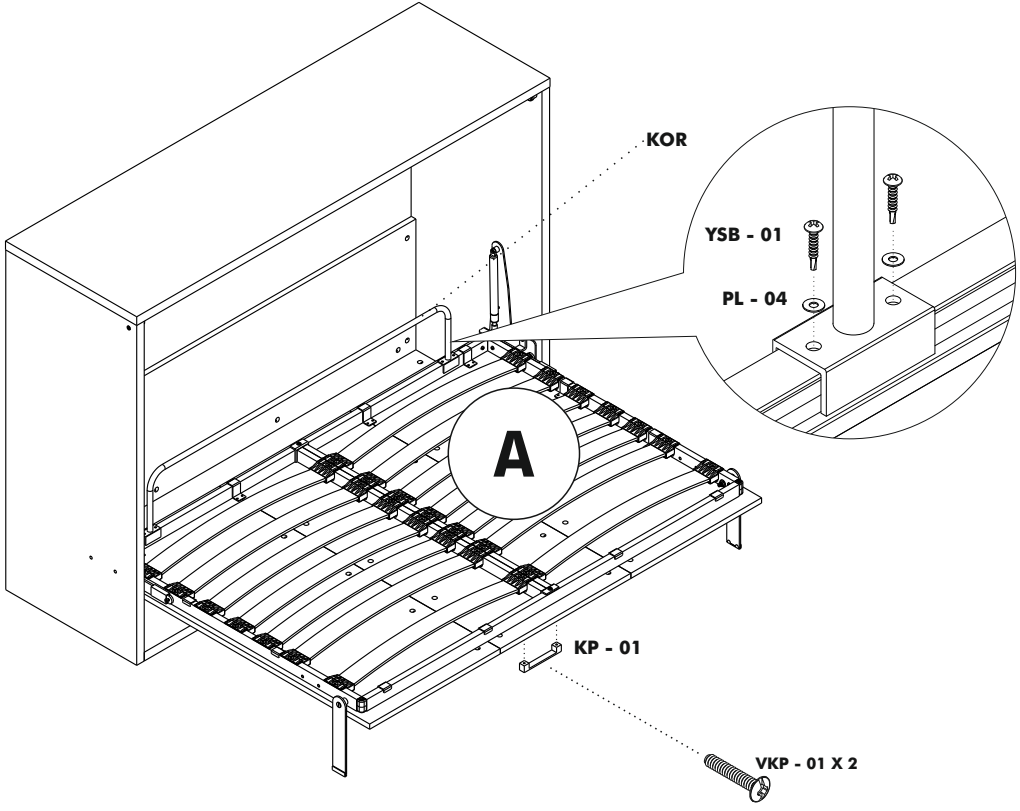
**Make sure that
"OT-10" is fully tightened
as shown in the Picture.**

VIDEO

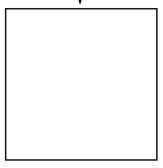


link

STEP 22

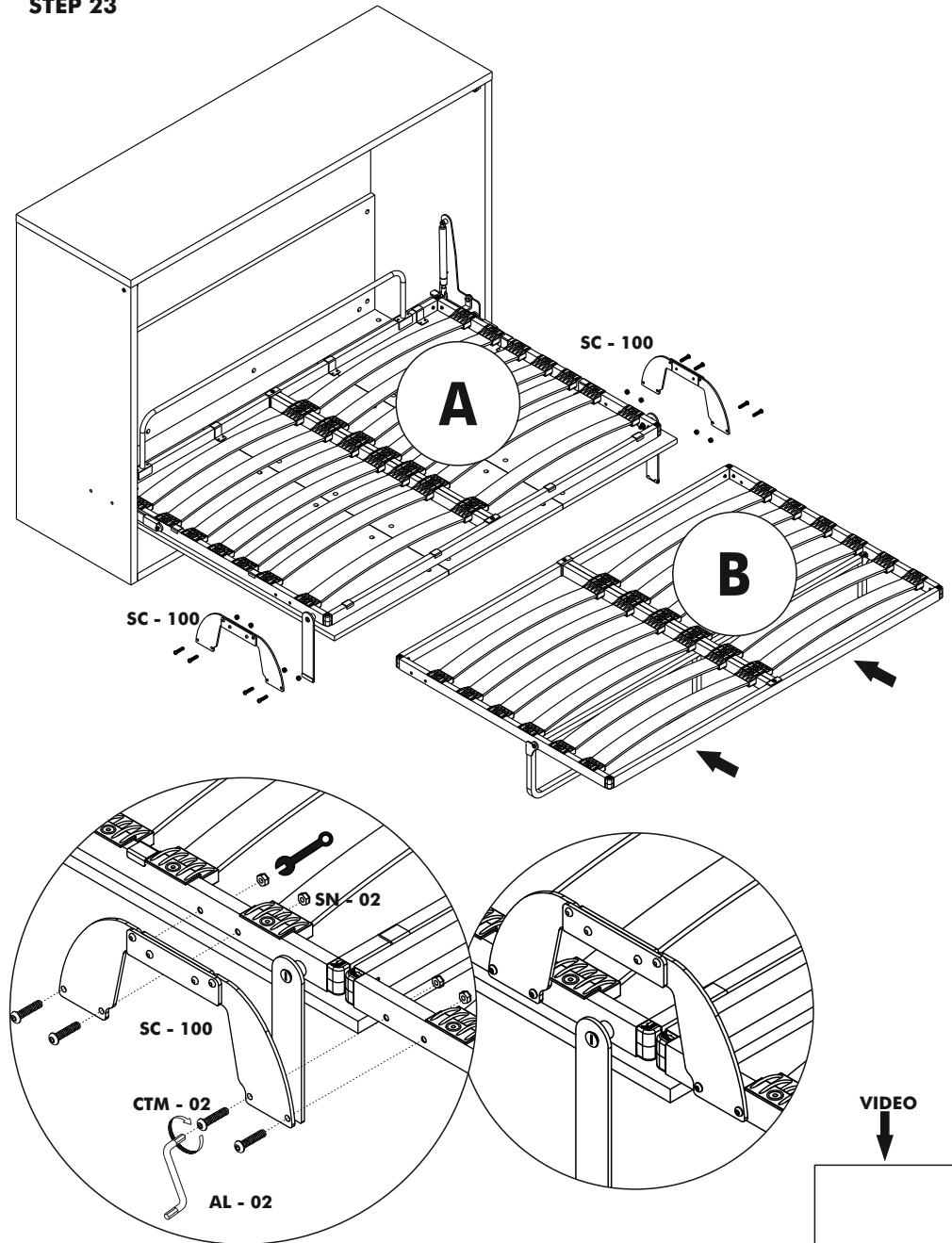


VIDEO

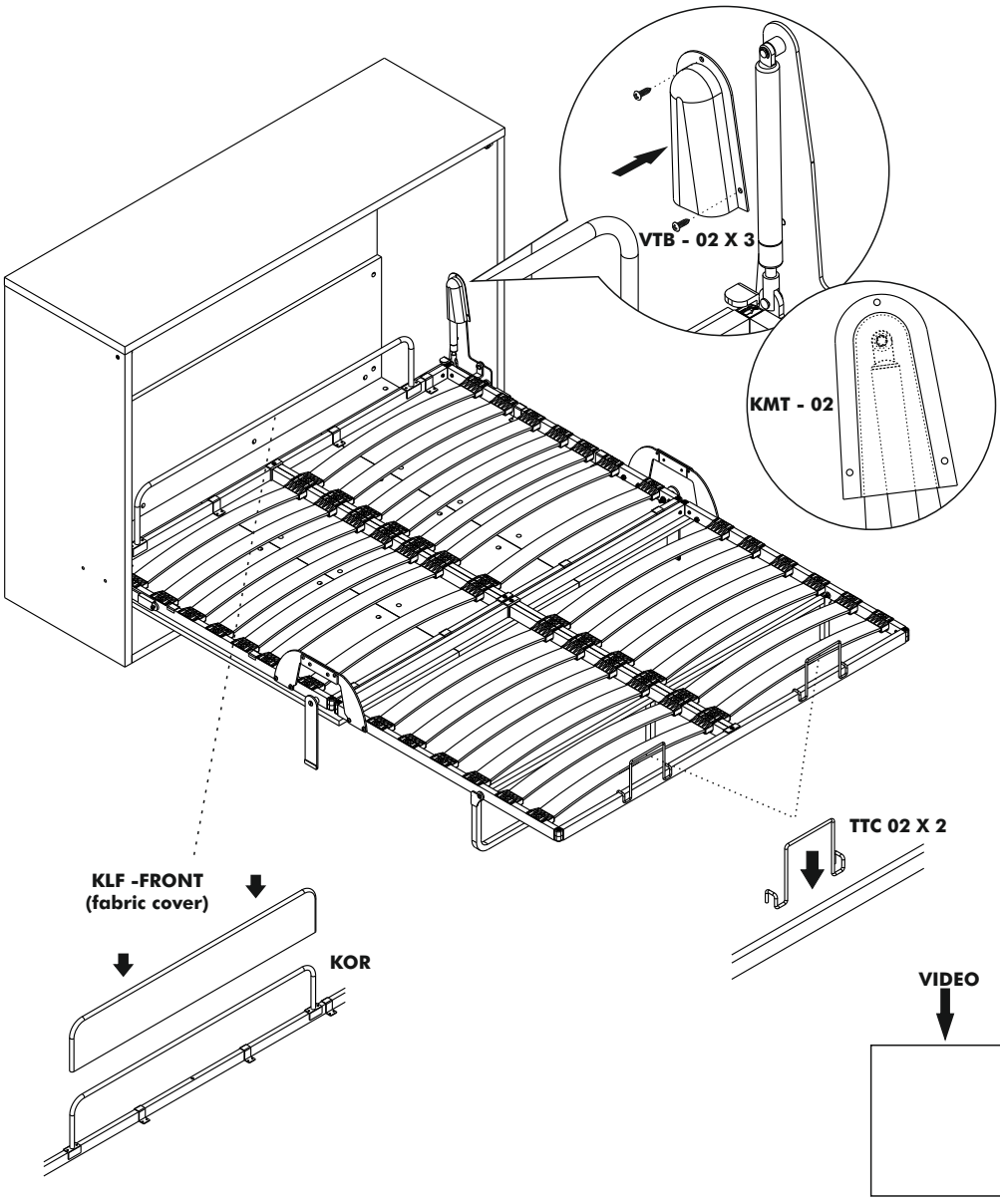


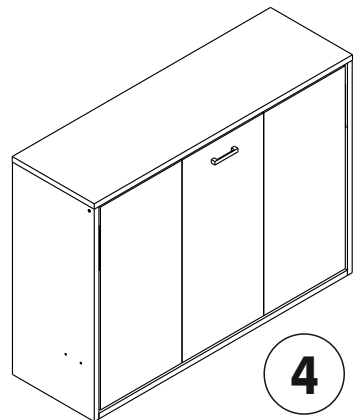
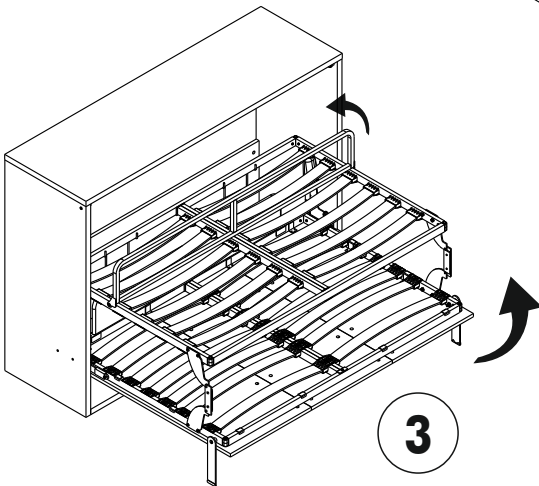
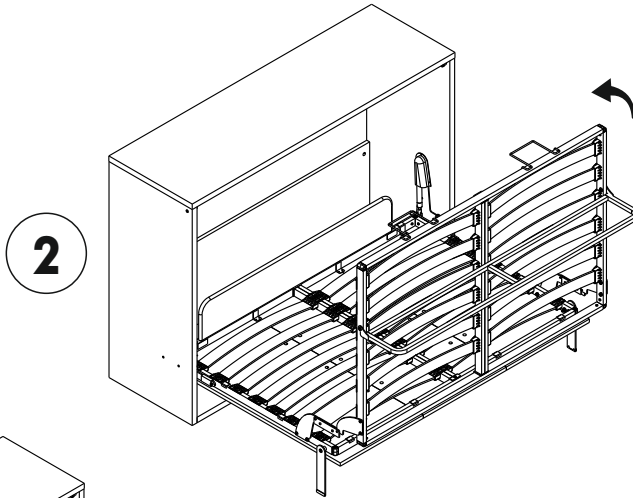
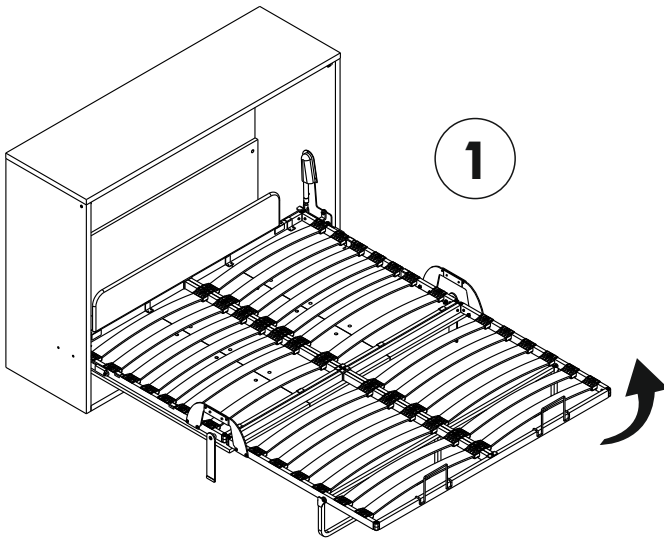
link

STEP 23



STEP 24





ATTENTION / HOW TO / READ ME / OWNER'S GUIDE

1. When mounting on a regular drywall, furniture must be fastened to wood or metal studs. Solid walls made of brick, concrete or similar strong material are also acceptable. Do not mount furniture to paper-mache or sheetrock (plasterboard) like material without properly fixing to stud.
2. For safety and product longevity you must periodically inspect the mounting and mechanical connections for integrity and tightness. Confirm hardware remains properly affixed and connections snug.
3. Wall Bed mattress thickness may not exceed 8 inches (200mm). Take care to remove pillows and excess blankets before closing. Doing so keeps mechanism free of obstruction and unnecessary stress.
4. Do not lean or rest heavy objects on side or top of furniture. This may cause balance issues and compromise the integrity of your mounting connections.
5. Please use the furniture's beds, desks and shelving as intended. Not designed to be sat, stood, leaned, jumped (etc) on. Improper use may cause personal injury and damage to property.
6. With seasonal humidity change you must inspect interior and exterior of furniture.
7. Single bed models are suitable for the weight of one person. Sleeping by more than one person will cause damage of the product.
8. Before any un-mounting or disassembly please contact Multimo for technical support and instruction. Failure to properly detach risks injury to person and damage to property.
9. For Bunk Beds:
 - a. Always use provided ladder when accessing top bunk.
 - b. Be slow, careful and aware of surroundings when opening top bunk.
 - c. Do not horseplay. Beds are to be slept on only.
 - d. Some have legs that fully extend when open- be aware of where the leg is and will be.



MULTiMO

www.multimo.com