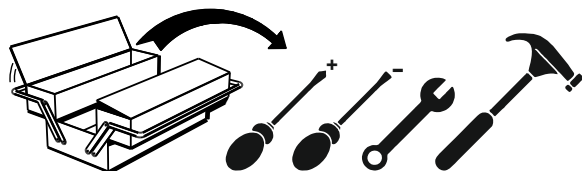
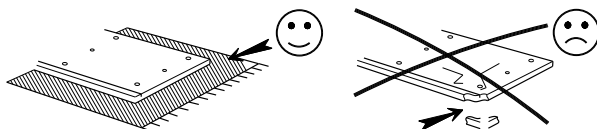
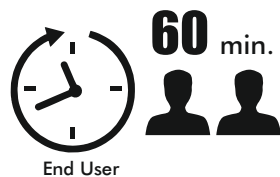
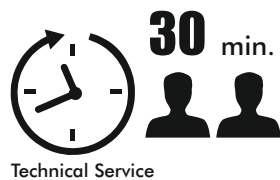
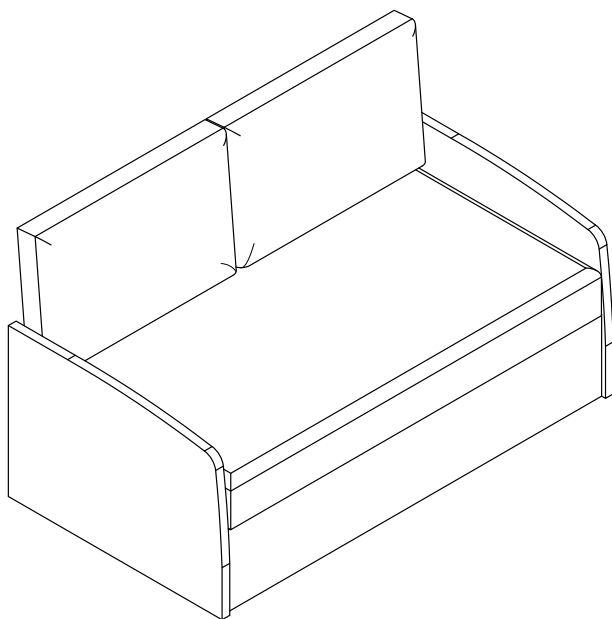


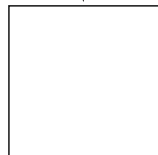


MULTIMO

511-K DUO SOFA 140



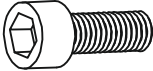
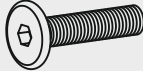



VIDEO

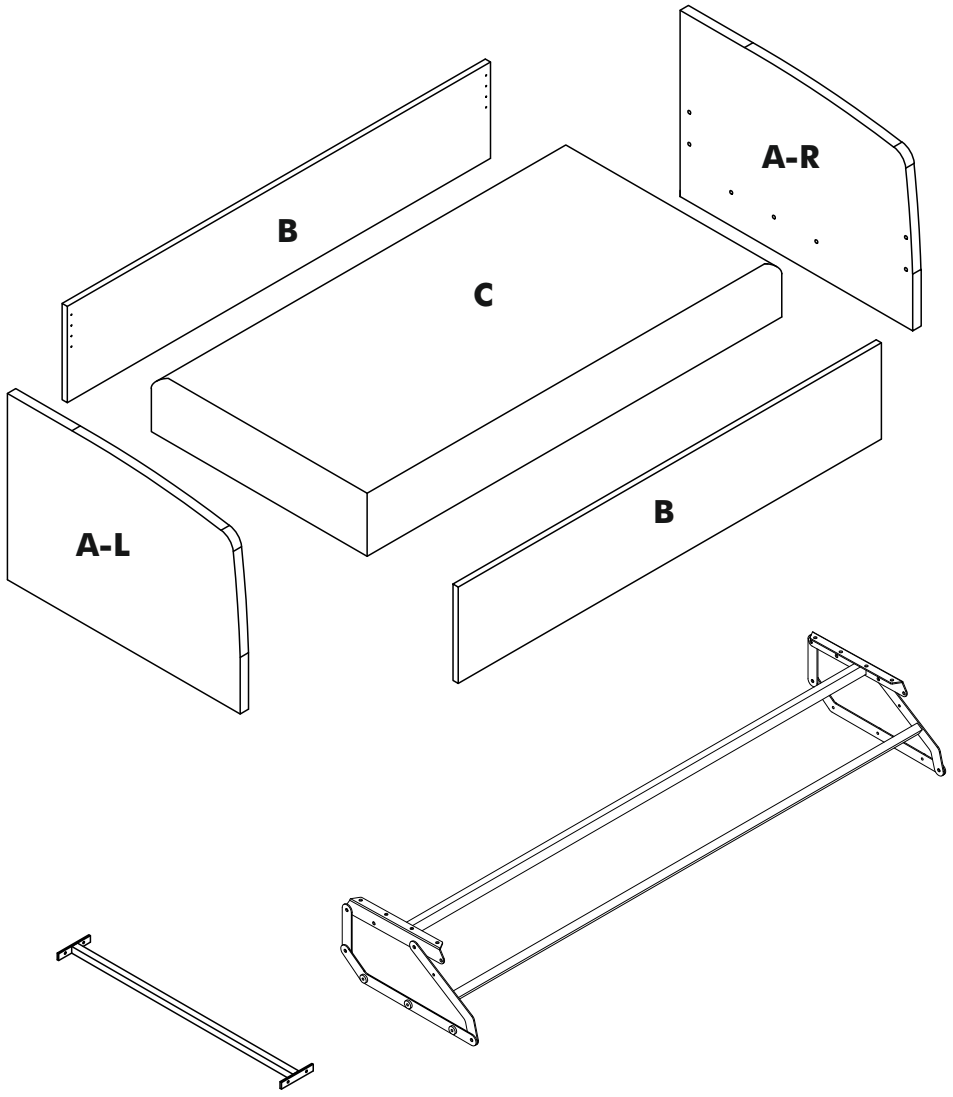


link

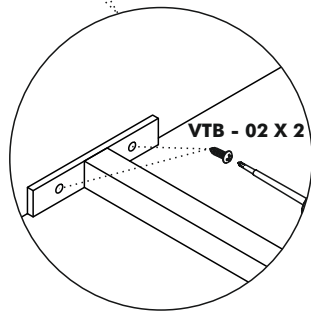
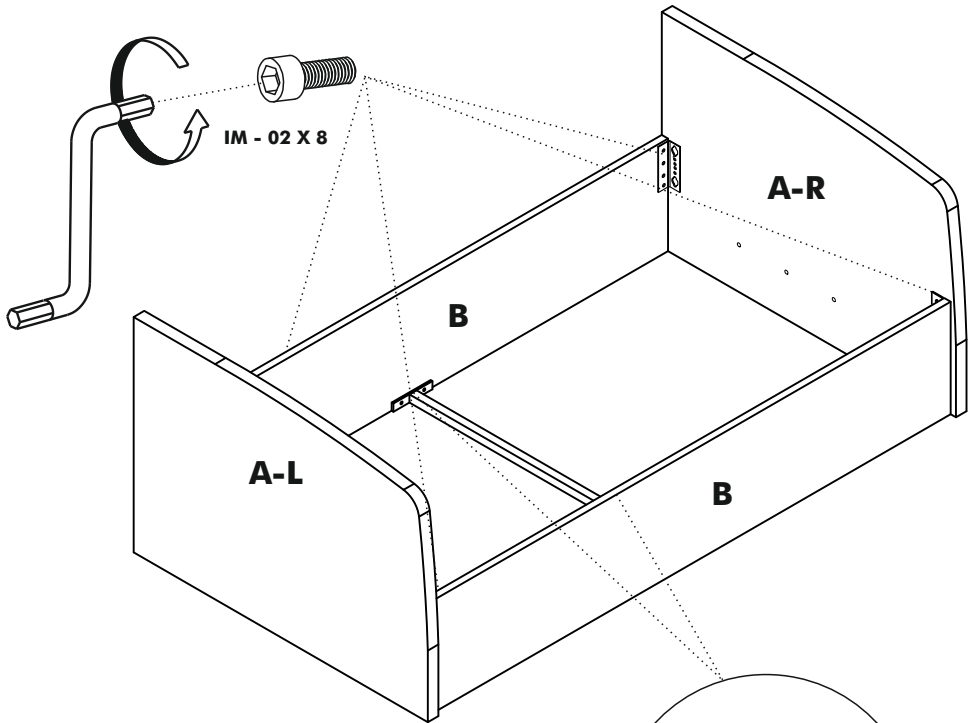
| Track Title | Piece | (inch) | | | (mm) | | | |
|-------------|-------|-----------|--------|-------|-------|-------|--------|------|
| | | Thickness | Length | Width | Piece | Thick | Height | Most |
| A | | 1,18 | 32,68 | 22,64 | 2 | 30 | 830 | 575 |
| B | | 0,71 | 57,87 | 10,83 | 2 | 18 | 1470 | 275 |
| C | | 6,30 | 55,91 | 28,82 | 1 | 160 | 1420 | 732 |

Accessories List

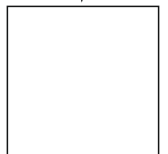
| | | | |
|--|--|--|---|
| <p>IM - 02 (6x20) mm</p>  <p>8 / piece</p> | <p>CT - 08 (6x25) mm</p>  <p>6 / piece</p> | <p>PL - 01 (6x19x1) mm</p>  <p>8 / piece</p> | <p>VTB - 01 (4,8x16) mm</p>  <p>4 / piece</p> |
| <p>SN - 01 (M6)</p>  <p>8 / piece</p> | | | |



STEP 1

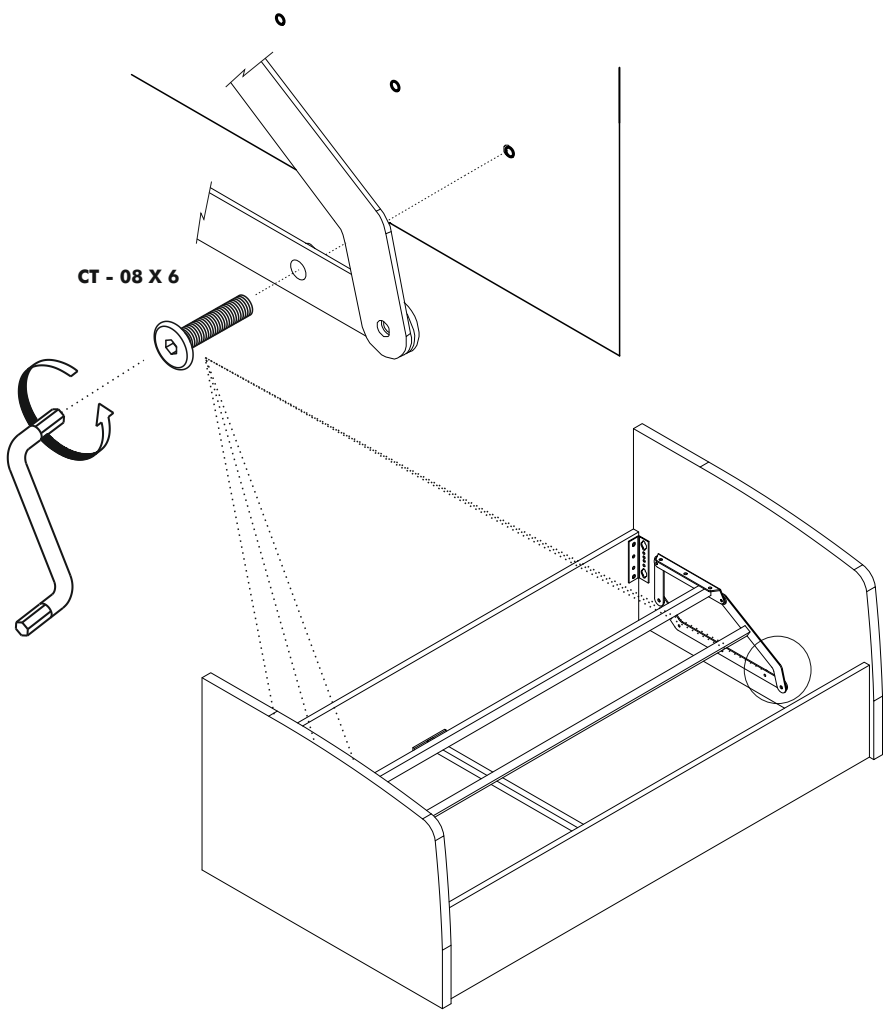


VIDEO

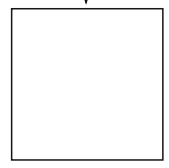


link

STEP 2

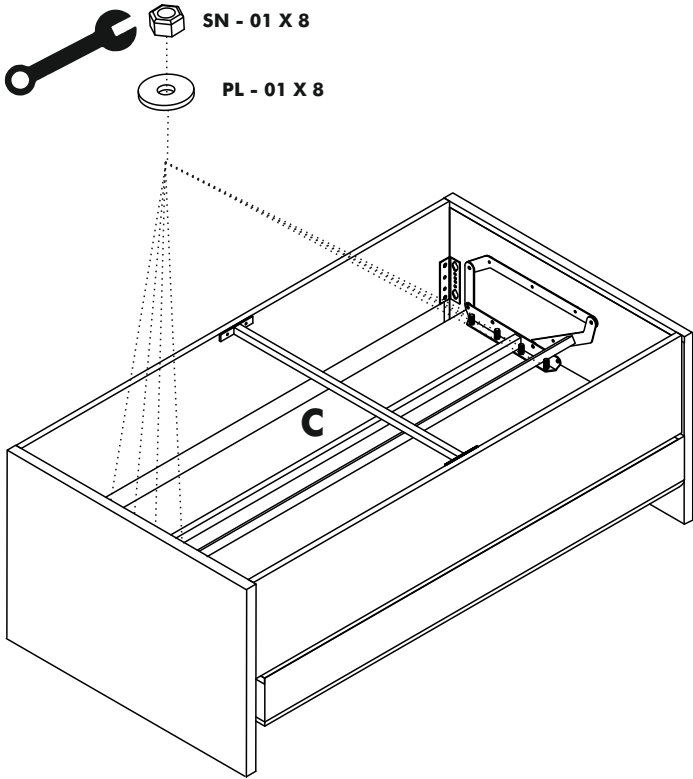


VIDEO

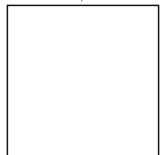


link

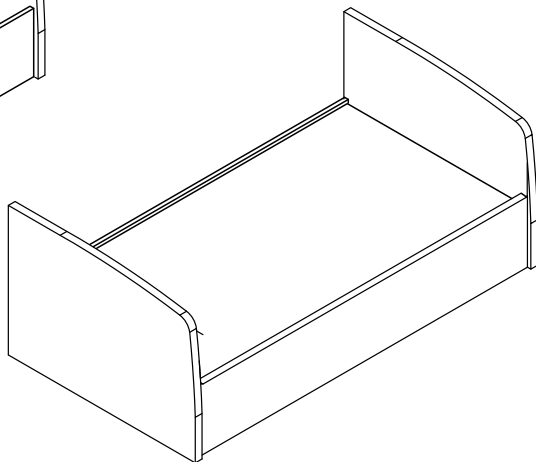
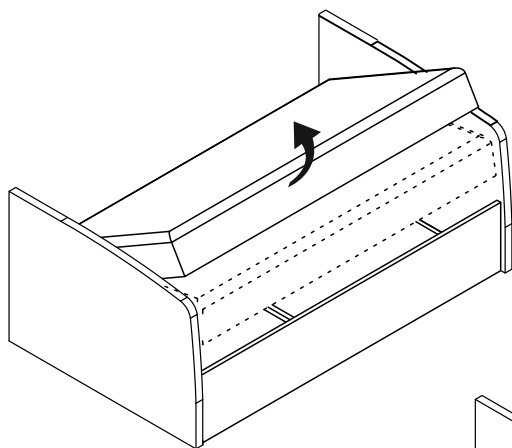
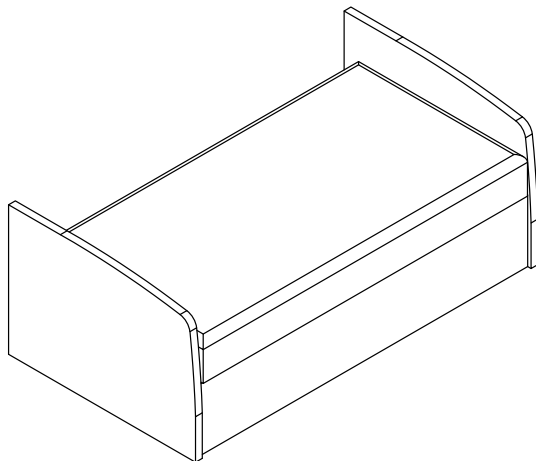
STEP 3



VIDEO



link





www.multimo.com